



# **MS312**

## **Machine Type 4514-330**

### **Service Manual**

- [Start diagnostics](#)
- [Maintenance](#)
- [Safety and notices](#)
- [Trademarks](#)
- [Index](#)

June 02, 2016

[www.lexmark.com](http://www.lexmark.com)

## Product information

Product name:

MS312

Machine type:

4514

Model(s):

330

## Edition notice

June 02, 2016

**The following paragraph does not apply to any country where such provisions are inconsistent with local law:** LEXMARK INTERNATIONAL, INC., PROVIDES THIS PUBLICATION “AS IS” WITHOUT WARRANTY OF ANY KIND, EITHER EXPRESS OR IMPLIED, INCLUDING, BUT NOT LIMITED TO, THE IMPLIED WARRANTIES OF MERCHANTABILITY OR FITNESS FOR A PARTICULAR PURPOSE. Some states do not allow disclaimer of express or implied warranties in certain transactions; therefore, this statement may not apply to you.

This publication could include technical inaccuracies or typographical errors. Changes are periodically made to the information herein; these changes will be incorporated in later editions. Improvements or changes in the products or the programs described may be made at any time.

References in this publication to products, programs, or services do not imply that the manufacturer intends to make these available in all countries in which it operates. Any reference to a product, program, or service is not intended to state or imply that only that product, program, or service may be used. Any functionally equivalent product, program, or service that does not infringe any existing intellectual property right may be used instead. Evaluation and verification of operation in conjunction with other products, programs, or services, except those expressly designated by the manufacturer, are the user's responsibility.

### Trademarks

Lexmark and the Lexmark logo are trademarks of Lexmark International, Inc., registered in the United States and/or other countries. PCL® is a registered trademark of the Hewlett-Packard Company. PCL is Hewlett-Packard Company's designation of a set of printer commands (language) and functions included in its printer products. This printer is intended to be compatible with the PCL language. This means the printer recognizes PCL commands used in various application programs, and that the printer emulates the functions corresponding to the commands.

PostScript is a registered trademark of Adobe Systems Incorporated in the United States and/or other countries.

All other trademarks are the property of their respective owners.

© 2015 Lexmark International, Inc.

All rights reserved.

P/N 12G3396

# Table of contents

<b>Product information.....</b>	<b>2</b>
<b>Edition notice.....</b>	<b>2</b>
<b>Notices and safety information.....</b>	<b>11</b>
Laser notices.....	11
Safety information.....	14
<b>Preface.....</b>	<b>19</b>
Service manual conventions.....	19
Change history.....	19
<b>General information.....</b>	<b>23</b>
Media guidelines.....	23
Paper guidelines.....	23
Using specialty media.....	27
Supported paper sizes, types, and weights.....	28
Data security notice.....	31
Tools required for service.....	31
<b>Diagnostic information.....</b>	<b>33</b>
Troubleshooting overview.....	33
Performing the initial troubleshooting check.....	33
Power-on Reset (POR) sequence.....	33
Fixing print quality issues.....	34
Initial print quality check.....	34
Gray background or toner fog check.....	35
Blank pages check.....	36
Solid black pages check.....	37
Repeating defects check.....	37
Shadow images check.....	38
Skewed print check.....	39
Streaked horizontal or vertical lines appear on prints check.....	40
Toner smear check.....	41
Toner specks appear on prints check.....	42
Paper jams.....	43
Avoiding jams.....	43
Understanding jam messages and locations.....	44

200 paper jams.....	45
201 paper jams.....	53
202 paper jams.....	55
23y paper jams .....	58
241 paper jams .....	60
242 paper jams .....	64
25y paper jams .....	67
Understanding the printer messages.....	69
Bin full. Remove paper. ....	69
Cannot collate large document [37] .....	69
Cannot defrag flash memory [37].....	70
Cartridge, imaging unit mismatch [41.xy].....	70
Cartridge low [88.xy].....	70
Cartridge nearly low [88.xy].....	70
Cartridge very low, [x] estimated pages remain [88.xy] .....	70
Change [paper source] to [custom string]. Load [orientation]. ....	71
Change [paper source] to [custom type name]. Load [orientation]......	71
Change [paper source] to [paper size]. Load [orientation]. ....	71
Change [paper source] to [paper type] [paper size]. Load [orientation]. ....	71
Close front door.....	72
Complex page may misprint [39] .....	72
Credentials invalid. Print job canceled. ....	72
Defective flash memory [51].....	72
Flash memory full [52].....	72
Flash memory unformatted [53] .....	72
Imaging unit low [84.xy] .....	73
Imaging unit nearly low [84.xy] .....	73
Imaging unit very low, [x] estimated pages remain [84.xy].....	73
Insert tray [x].....	73
Load [paper source] with [custom string] [orientation] .....	73
Load [paper source] with [custom type name] [orientation].....	73
Load [paper source] with [paper size] [orientation] .....	74
Load [paper source] with [paper type] [paper size] [orientation] .....	74
Load MP feeder with [custom type name] [orientation].....	74
Load MP feeder with [custom string] [orientation].....	74
Load MP feeder with [paper size] [orientation].....	75
Load MP feeder with [paper type] [paper size] [orientation].....	75
Memory full [38] .....	75
Memory low, no Resource Save [35].....	75
Non-Lexmark [supply type], see User's Guide [33.xy] .....	75
Network error, port [x] [54] .....	76
Network error, standard port [54].....	76
Paper too short [34] .....	76
Parallel port disabled [56] .....	77
Print quota exceeded. Print job canceled.....	77

Print quota exceeded. Print job incomplete.....	77
Printer restart. Check last job.....	77
Rear USB port disabled [56].....	77
Reinstall missing or unresponsive cartridge [31.xy].....	77
Reinstall missing or unresponsive imaging unit [31.xy].....	78
Replace cartridge, 0 estimated pages remain [88.xy].....	78
Replace cartridge, printer region mismatch [42.xy].....	78
Replace imaging unit, 0 estimated pages remain [84.xy].....	78
Replace unsupported cartridge [32.xy].....	79
Replace unsupported imaging unit [32.xy].....	79
Too many trays. Remove some. [58].....	79
User attendance messages (0-99.99).....	79
User attendance messages (0-99.99).....	79
Unresponsive toner cartridge service check.....	82
Unsupported toner cartridge service check.....	82
Printer/cartridge mismatch service check.....	83
Unsupported imaging unit service check.....	83
Imaging unit smart chip contact service check.....	84
Toner smart chip compatibility service check.....	84
Imaging chip compatibility service check.....	85
Media size mismatch service check.....	85
Supplies mismatch service check.....	86
Insufficient memory service check.....	87
Flash full service check.....	87
Imaging unit low service check.....	88
Toner cartridge low service check.....	88
Printer hardware errors.....	89
111 errors.....	89
121 errors.....	93
126 errors.....	94
132 errors.....	95
133 errors.....	96
140 errors.....	97
155 errors.....	98
Procedure before starting the 9yy service checks.....	99
900 errors.....	101
912 errors.....	106
94y errors.....	106
950–958 errors.....	107
959 errors.....	109
96y errors.....	110
97y errors.....	111
98y errors.....	112
99y errors.....	113

Base printer symptoms .....	113
Cooling fan service check.....	114
Dead machine service check .....	114
Controller board service check .....	115
Control panel button service check .....	116
Control panel service check.....	117
Toner starvation service check.....	117
USB print service check .....	118
Network service check .....	119
Input option hardware errors.....	122
3yy error messages .....	122
Option tray pick/lift motor service check .....	124
Option tray separator/pass through motor service check.....	124
Option tray ACM motor service check.....	125
Option tray controller card service check.....	125

## **Service menus..... 127**

Understanding the printer control panel.....	127
Using the printer control panel.....	127
Understanding the colors of the indicator and Sleep button lights.....	128
Menus list.....	129
Diagnostics menu.....	129
Entering the Diagnostics menu .....	129
Registration .....	129
PRINT TESTS .....	130
Print Quality Pages.....	130
Hardware Tests .....	131
Duplex Tests .....	132
Input Tray Tests .....	134
Output Bin Tests .....	135
Base Sensor Test.....	136
Device Tests.....	136
Printer Setup.....	137
EP Setup .....	138
Reports .....	140
Event Log.....	140
Exit Diags .....	141
Configuration menu.....	141
Entering the Configuration menu.....	141
Factory Defaults.....	142
Reports .....	142
Tray Linking .....	143
Panel Menus .....	143

PPDS Emulation .....	143
Print Quality Pages.....	143
A5 Loading .....	143
Reduced Curl.....	143
Safe Mode .....	144
Demo Mode .....	144
Energy Conserve.....	144
Wipe All Settings .....	144
Font Density.....	144
Font Sharpening .....	145
USB Speed.....	145
USB PnP.....	145
Exit Config Menu .....	145
Entering Invalid engine mode.....	145
Entering Recovery mode.....	145
Accessing the Network SE menu.....	146
Service engineer menu.....	146
Accessing the service engineer (SE) menu.....	146
Service engineer (SE) menu .....	146
<b>Repair information.....</b>	<b>149</b>
Removal precautions.....	149
Data security notice .....	149
Handling ESD-sensitive parts.....	150
Controller board/control panel replacement .....	150
Restoring the printer configuration after replacing the controller board .....	151
Restoring solutions, licenses, and configuration settings .....	154
Updating the printer firmware .....	155
Ribbon cable connectors .....	156
Zero Insertion Force (ZIF) connectors.....	156
Horizontal top contact connector .....	157
Horizontal bottom contact connector .....	160
Vertical mount contact connector.....	163
Horizontal sliding contact connector .....	166
Low Insertion Force (LIF) connector .....	169
Printhead assembly adjustments .....	170
Removal procedures.....	173
Left side removals.....	173
Left cover removal .....	173
Main drive gearbox removal.....	174
MPF solenoid removal .....	176
MPF gearbox removal.....	179
Reverse solenoid removal .....	182

ACM clutch removal.....	183
Cartridge gearbox removal.....	185
Duplex gear assembly removal.....	186
Right side removals.....	188
Right cover removal.....	188
Cooling fan duct removal.....	188
Cooling fan removal.....	188
Controller board removal.....	189
Toner cartridge smart chip contact removal.....	191
Front removals.....	193
Left front mount removal.....	193
Right front mount removal.....	195
Transfer roll removal.....	197
Cartridge plunger removal.....	198
Bezel removal.....	201
Nameplate removal.....	202
Control panel assembly removal.....	202
UICC removal.....	204
MPF assembly removal.....	205
MPF pick roller cover removal.....	208
MPF pick roller removal.....	208
Bail removal.....	209
Jam access cover removal.....	209
Front door removal.....	210
Front access cover removal.....	213
Front door sensor removal.....	213
Front input guide removal.....	214
Separator pad removal.....	216
Bottom removals.....	218
Power supply removal.....	218
Power supply shield removal.....	219
Duplex removal.....	220
Duplex sensor and input sensor removal.....	221
Toner density sensor removal.....	223
Trailing edge sensor removal.....	226
ACM assembly removal.....	231
Rear side removals.....	236
Dust cover removal.....	236
Rear door and cover removal.....	236
Narrow media/bin full sensor removal.....	237
Redrive assembly removal.....	239
Redrive shaft removal.....	240
Fuser removal.....	242
Top side removals.....	243



Top cover removal.....	243
Laser scanning unit (LSU) removal .....	244
250/550-sheet option tray removals.....	246
Pick roller removal.....	246
Separator roll assembly removal.....	247
ACM assembly removal .....	249
<b>Component locations.....</b>	<b>253</b>
Exterior locations.....	253
Front view .....	253
Rear view .....	254
<b>Maintenance.....</b>	<b>255</b>
Inspection guide.....	255
Lubrication specification.....	255
Cleaning the printer.....	256
<b>Parts catalog.....</b>	<b>258</b>
Legend.....	258
Assembly 1: Covers.....	259
Assembly 2: Electronics 1.....	261
Assembly 3: Electronics 2.....	263
Assembly 4: Frame.....	266
Assembly 5: Option trays.....	269
Assembly 6: Power cords.....	271
Assembly 7: Miscellaneous.....	273
<b>Appendix A: Printer specifications.....</b>	<b>275</b>
Product power consumption.....	275
Electrical specifications.....	275
Operating clearances.....	276
Acoustics.....	276
Operating environment.....	277
Enabling the security reset jumper.....	277
<b>Appendix B: Options and features.....</b>	<b>279</b>
Available internal options.....	279
Media handling options.....	279

<b>Appendix C: Theory of operation.....</b>	<b>281</b>
POR sequence.....	281
Printer control.....	281
Paper path information.....	281
Input tray.....	281
Multipurpose feeder (MPF) .....	281
Simplex printing .....	282
Duplex printing.....	283
Media handling components.....	284
Main drive gearbox.....	284
Autocompensator mechanism (ACM) .....	284
Key components.....	285
Sensors .....	285
Other key components .....	286
Electrophotographic process (EP process).....	287
<b>Appendix D: Acronyms.....</b>	<b>293</b>
<b>Index.....</b>	<b>295</b>
<b>Part number index.....</b>	<b>301</b>
<b>Part name index.....</b>	<b>305</b>

# Notices and safety information

## Laser notices

### Laser notice

The printer is certified in the U.S. to conform to the requirements of DHHS 21 CFR, Chapter I, Subchapter J for Class I (1) laser products, and elsewhere is certified as a Class I laser product conforming to the requirements of IEC 60825-1.

Class I laser products are not considered to be hazardous. The printer contains internally a Class IIIb (3b) laser that is nominally a 7 milliwatt gallium arsenide laser operating in the wavelength of 655-675 nanometers. The laser system and printer are designed so there is never any human access to laser radiation above a Class I level during normal operation, user maintenance, or prescribed service condition.

### Laser-Hinweis

Der Drucker wurde in den USA zertifiziert und entspricht den DHHS-Vorschriften 21 CFR, Kapitel I, Unterkapitel J für Laserprodukte der Klasse I (1); andernorts ist er als Laserprodukt der Klasse I zertifiziert, das den IEC 60825-1-Anforderungen entspricht.

Laserprodukte der Klasse I werden nicht als gefährlich eingestuft. Der Drucker enthält im Inneren einen Laser der Klasse IIIb (3b), und zwar einen 7-Milliwatt-Gallium-Arsenid-Laser, der im Wellenlängenbereich von 655 bis 675 Nanometern arbeitet. Das Lasersystem und der Drucker sind so konstruiert, dass unter normalen Betriebsbedingungen, bei der Wartung durch den Benutzer oder bei den vorgeschriebenen Wartungsbedingungen Menschen keiner Laserstrahlung ausgesetzt sind, die die Werte für Klasse I überschreitet.

### Avis relatif à l'utilisation du laser

L'imprimante est certifiée conforme aux exigences de la réglementation des Etats-Unis relative aux produits laser (DHHS 21 CFR, Chapter I, Subchapter J for Class I (1)). Pour les autres pays, elle est certifiée conforme aux exigences des normes IEC 60825-1 relatives aux produits laser de classe I.

Les produits laser de Classe I ne sont pas considérés comme dangereux. L'imprimante contient un laser de classe IIIb (3b), laser arséniure de gallium 7 milliwatts opérant sur une longueur d'onde de l'ordre de 655 à 675 nanomètres. Le système laser ainsi que l'imprimante ont été conçus de manière à ce que personne ne soit exposé à des rayonnements laser dépassant le niveau de classe I dans le cadre d'un fonctionnement normal, de l'entretien par l'utilisateur ou de la maintenance.

### Avvertenze sui prodotti laser

La stampante è certificata negli Stati Uniti come stampante conforme ai requisiti DHHS 21 CFR, Capitolo I, Sottocapitolo J per i prodotti laser di Classe I (1), mentre in altri paesi è certificata come prodotto laser di Classe I conforme ai requisiti IEC 60825-1.

I prodotti laser di Classe I non sono considerati pericolosi. La stampante contiene un laser di Classe IIIb (3b), che è nominalmente un laser ad arseniuro di gallio a 7 milliwatt funzionante a una lunghezza d'onda di 655-675 nanometri. Il sistema laser e la stampante sono stati progettati in modo da impedire l'esposizione a radiazioni laser superiori al livello previsto dalla Classe I durante le normali operazioni di stampa, manutenzione o assistenza.

## Aviso de láser

Esta impresora se ha certificado en EE. UU. de conformidad con los requisitos de DHHS 21 CFR, capítulo I, subcapítulo J, para los productos láser de Clase I (1), y en otros países está certificada como un producto láser de Clase I de acuerdo con los requisitos de IEC 60825-1.

Los productos láser de Clase I no se consideran peligrosos. La impresora contiene un láser interno de Clase IIIb (3b) que nominalmente es un láser de arseniuro de galio de 7 milivatios que funciona en una longitud de onda de 655-675 nanómetros. El sistema láser y la impresora se han diseñado para que ningún individuo acceda nunca a las radiaciones láser por encima del nivel de Clase I durante su uso normal, ni en tareas de mantenimiento o intervenciones de servicio técnico prescritas.

## Aviso sobre laser

A impressora foi certificada nos EUA por estar em conformidade com os requisitos do DHHS 21 CFR, capítulo I, subcapítulo J, para produtos a laser de Classe I (1) e, nos demais países, foi certificada como produto a laser de Classe I em conformidade com os requisitos da IEC 60825-1.

Os produtos a laser de Classe I não são considerados perigosos. A impressora contém, internamente, um laser de Classe IIIb (3b) que é um laser de arsenieto de gálio de 7 miliwatts operando no comprimento de onda de 655-675 nanômetros. O sistema do laser e a impressora foram projetados para que jamais haja acesso humano à radiação do laser acima do nível da Classe I durante a operação normal ou a manutenção pelo usuário ou sob as condições de manutenção prescritas.

## Laserinformatie

Deze printer is in de Verenigde Staten gecertificeerd als een product dat voldoet aan de vereisten van DHHS 21 CFR, hoofdstuk 1, paragraaf J voor laserproducten van klasse I (1). Elders is de printer gecertificeerd als een laserproduct van klasse I dat voldoet aan de vereisten van IEC 60825-1.

Laserproducten van klasse I worden geacht geen gevaar op te leveren. De printer bevat intern een laser van klasse IIIb (3b), een galliumarsenide laser met een nominaal vermogen van 7 milliwatt en een golflengtebereik van 655-675 nanometer. Het lasersysteem en de printer zijn zodanig ontworpen dat gebruikers nooit blootstaan aan laserstraling die hoger is dan het toegestane niveau voor klasse I-apparaten, tijdens normaal gebruik, onderhoudswerkzaamheden door de gebruiker of voorgeschreven servicewerkzaamheden.

## Lasererklæring

Denne printer er certificeret i USA i henhold til kravene i DHHS 21 CFR, afsnit I, underafsnit J, for Klasse I-laserprodukter (1) og certificeret andetsteds som et Klasse I-laserprodukt i henhold til kravene i IEC 60825-1.

Klasse I-laserprodukter anses ikke for at være farlige. Printerens indeholder internt en klasse IIIb (3b)-laser, der nominelt er en 7 milliwatt galliumarsenid-laser, som fungerer i bølglængdeområdet 655-675 nanometer. Lasersystemet og printerens er udviklet på en sådan måde, at der ikke er en direkte laserstråling, der overskrider Klasse I-niveauet under normal brug, brugers vedligeholdelse eller de foreskrevne servicebetingelser.

## Laserilmoitus

Tämä tulostin on sertifioitu Yhdysvalloissa DHHS 21 CFR, Chapter I, Subchapter J -standardin mukaiseksi luokan I (1) -lasertuotteeksi ja muualla IEC 60825-1 -standardin mukaiseksi luokan I lasertuotteeksi.

Luokan I lasertuotteita ei pidetä haitallisina. Tulostimen sisällä on luokan IIIb (3b) laser, joka on nimellistehoaltaan 7 mW:n galliumarsenidilaser ja toimii 655–675 nanometrin aallonpituuksilla. Laserjärjestelmä ja tulostin ovat rakenteeltaan sellaisia, että käyttäjä ei joudu alttiiksi luokkaa 1 suuremmalle säteilylle normaalin käytön, ylläpidon tai huollon aikana.

## Lasermeddelande

Skrivaren är certifierad i USA enligt kraven i DHHS 21 CFR, avsnitt I, underavsnitt J för laserprodukter av klass I (1) och i andra länder är den certifierad som en laserprodukt av klass I som uppfyller kraven i IEC 60825-1.

Laserprodukter av klass I anses inte vara skadliga. Skrivaren innehåller en klass IIIb (3b)-laser, vilket är en 7 mW galliumarseniklaser som arbetar inom en våglängd på 655–675 nm. Lasersystemet och skrivaren är utformade så att människor aldrig utsätts för laserstrålning över klass I-nivå under normala förhållanden vid användning, underhåll eller service.

## Lasermerknad

Skriveren er sertifisert i USA for samsvar med kravene i DHHS 21 CFR, kapittel I, underkapittel J for laserprodukter av klasse I (1), og er andre steder sertifisert som et laserprodukt av klasse I som samsvarer med kravene i IEC 60825-1.

Laserprodukter av klasse I anses ikke som helseskadelige. Skriveren inneholder en intern laser av klasse IIIb (3b) som nominelt er en 7 milliwatt galliumarsenid-laser, og som opererer i bølgelengder på 655-675 nanometer. Lasersystemet og skriveren er utformet slik at mennesker ikke utsettes for laserstråling utover nivået i klasse I under normal drift, vedlikehold eller foreskrevet service.

## Avís sobre el làser

Als EUA, la impressora està certificada de conformitat amb els requisits del capítol I, apartat J del CFR 21 del Departament de Salut i Serveis Humans per a productes làser de classe I (1) i a la resta de països està certificada com a producte làser de classe I d'acord amb els requisits de la norma IEC 60825-1.

Els productes làser de classe I no es consideren perillosos. A l'interior de la impressora hi ha un làser de classe IIIb (3b) que nominalment es un arsenur de galió de 7 mil·liwatts que funciona a una longitud d'ona de 655-675 nanòmetres. El sistema làser y la impressora s'han dissenyat amb l'objectiu d'impedir l'accés humà de la radiació làser superior al nivell de classe I durant un funcionament normal, el manteniment per part de l'usuari o les condicions de servei prescrites.

## レーザーに関する通知

本機は、米国においてクラス I (1) レーザー製品に対する DHHS 21 CFR、Chapter I、Subchapter J の要件に準拠し、その他の国では IEC 60825-1 の要件に準拠するクラス I レーザー製品として認可されています。

クラス I レーザー製品は、危険性がないとみなされています。本機には、クラス IIIb (3b) レーザーが内蔵されています。これは、655 ~ 675 ナノメートルの波長で動作する定格 7 ミリワットのガリウムヒ素レーザーです。レーザーシステムとプリンタは、通常の操作、ユーザーによるメンテナンス、または所定のサービス条件の下で、ユーザーがクラス I レベルを超えるレーザー放射に絶対にさらされないように設計されています。

## 레이저 관련 공지

이 프린터는 미국에서 DHHS 21 CFR, Chapter I, Subchapter J의 요구 사항을 준수하는 클래스 I(1) 레이저 제품으로 승인되었으며 이외 지역에서 IEC 60825-1의 요구 사항을 준수하는 클래스 I 레이저 제품으로 승인되었습니다.

Class I 레이저 제품은 위험한 제품으로 간주되지 않습니다. 프린터에는 655-675 나노미터의 파장 영역에서 작동하는 공칭 7밀리와트 갈륨 비소 레이저인 클래스 IIIb(3b) 레이저가 내부에 포함되어 있습니다. 레이저 시스템과 프린터는 정상적인 작동, 사용자 유지 관리 또는 사전 설명된 서비스 조건에는 사람에게 클래스 I 수준 이상의 레이저 방사가 노출되지 않도록 설계되었습니다.

## 激光注意事项

本打印机在美国认证合乎 DHHS 21 CFR Chapter I, Subchapter J 对分类 I (1) 激光产品的标准, 而在其他地区则被认证是合乎 IEC 60825-1 的分类 I 激光产品。

一般认为分类 I 激光产品不具有危险性。本打印机内部含有分类 IIIb (3b) 的激光, 在操作过程中会产生额定 7 毫瓦的砷化镓激光, 其波长范围在 655-675nm 之间。本激光系统及打印机的设计, 在一般操作、使用者维护或规定内的维修情况下, 不会使人体接触分类 I 以上等级的辐射。

## 雷射聲明

本印表機係經過美國核可, 符合 DHHS 21 CFR, Chapter I, Subchapter J 規定的 I (1) 級雷射產品激光注意事項; 在美國以外的地區, 為符合 IEC 60825-1 規定的 I 級雷射產品。

根據 I 級雷射產品的規定, 這類產品不會對人體造成傷害。本機所採用之 IIIb (3b) 級雷射只會產生 7 百萬分之一瓦特 (milliwatt)、波長 655 至 675 億分之一米 (nanometer) 的鎵砷放射線 (gallium arsenide laser)。使用者只要以正確的方法操作及維護保養, 並依照先前所述之維修方式進行修護, 此印表機與其雷射系統絕不會產生 I 級以上的放射線, 而對人體造成傷害。

## Safety information

### Safety information

- The safety of this product is based on testing and approvals of the original design and specific components. The manufacturer is not responsible for safety in the event of use of unauthorized replacement parts.
- The maintenance information for this product has been prepared for use by a professional service person and is not intended to be used by others.
- There may be an increased risk of electric shock and personal injury during disassembly and servicing of this product. Professional service personnel should understand this and take necessary precautions.



#### CAUTION—POTENTIAL INJURY

The lithium battery in this product is not intended to be replaced. There is a danger of explosion if a lithium battery is incorrectly replaced. Do not recharge, disassemble, or incinerate a lithium battery. Discard used lithium batteries according to the manufacturer's instructions and local regulations.

### Consignes de sécurité

- La sécurité de ce produit repose sur des tests et des agréments portant sur sa conception d'origine et sur des composants particuliers. Le fabricant n'assume aucune responsabilité concernant la sécurité en cas d'utilisation de pièces de rechange non agréées.
- Les consignes d'entretien et de réparation de ce produit s'adressent uniquement à un personnel de maintenance qualifié.
- Le démontage et l'entretien de ce produit pouvant présenter certains risques électriques, le personnel d'entretien qualifié devra prendre toutes les précautions nécessaires.

**AVERTISSEMENT—RISQUE DE BLESSURE**

La batterie lithium de ce produit n'est pas destinée à être remplacée. Il existe un risque d'explosion si une batterie lithium est placée de façon incorrecte. Ne rechargez pas, ne démontez pas et n'incinerez pas une batterie lithium. Mettez les batteries lithium usagées au rebut selon les instructions du fabricant et les réglementations locales.

**Norme di sicurezza**

- La sicurezza del prodotto si basa sui test e sull'approvazione del progetto originale e dei componenti specifici. Il produttore non è responsabile per la sicurezza in caso di sostituzione non autorizzata delle parti.
- Le informazioni riguardanti la manutenzione di questo prodotto sono indirizzate soltanto al personale di assistenza autorizzato.
- Durante lo smontaggio e la manutenzione di questo prodotto, il rischio di subire scosse elettriche e danni alla persona è più elevato. Il personale di assistenza autorizzato deve, quindi, adottare le precauzioni necessarie.

**ATTENZIONE — PERICOLO DI LESIONI**

La batteria al litio presente del prodotto non deve essere sostituita. In caso di sostituzione errata della batteria al litio, potrebbe verificarsi un'esplosione. Non ricaricare, smontare o bruciare batterie al litio. Smaltire le batterie al litio usate seguendo le istruzioni del produttore e le norme locali.

**Sicherheitshinweise**

- Die Sicherheit dieses Produkts basiert auf Tests und Zulassungen des ursprünglichen Modells und bestimmter Bauteile. Bei Verwendung nicht genehmigter Ersatzteile wird vom Hersteller keine Verantwortung oder Haftung für die Sicherheit übernommen.
- Die Wartungsinformationen für dieses Produkt sind ausschließlich für die Verwendung durch einen Wartungsfachmann bestimmt.
- Während des Auseinandernehmens und der Wartung des Geräts besteht ein zusätzliches Risiko eines elektrischen Schlags und körperlicher Verletzung. Das zuständige Fachpersonal sollte entsprechende Vorsichtsmaßnahmen treffen.

**VORSICHT - VERLETZUNGSGEFAHR**

Die Lithiumbatterie in diesem Produkt darf nicht ausgetauscht werden. Wird eine Lithiumbatterie nicht ordnungsgemäß ausgetauscht, besteht Explosionsgefahr. Lithiumbatterien dürfen auf keinen Fall wieder aufgeladen, auseinander genommen oder verbrannt werden. Befolgen Sie zum Entsorgen verbrauchter Lithiumbatterien die Anweisungen des Herstellers und die örtlichen Bestimmungen.

**Pautas de Seguridad**

- La seguridad de este producto se basa en pruebas y aprobaciones del diseño original y componentes específicos. El fabricante no es responsable de la seguridad en caso de uso de piezas de repuesto no autorizadas.
- La información sobre el mantenimiento de este producto está dirigida exclusivamente al personal cualificado de mantenimiento.
- Existe mayor riesgo de descarga eléctrica y de daños personales durante el desmontaje y la reparación de la máquina. El personal cualificado debe ser consciente de este peligro y tomar las precauciones necesarias.

**PRECAUCIÓN: POSIBLES DAÑOS PERSONALES**

La batería de litio de este producto no debe reemplazarse. Existe riesgo de explosión si se sustituye incorrectamente una batería de litio. No recargue, desmonte ni incinere una batería de litio. Deseche las baterías de litio según las instrucciones del fabricante y las normativas locales.

**Informações de Segurança**

- A segurança deste produto baseia-se em testes e aprovações do modelo original e de componentes específicos. O fabricante não é responsável pela segurança, no caso de uso de peças de substituição não autorizadas.
- As informações de segurança relativas a este produto destinam-se a profissionais destes serviços e não devem ser utilizadas por outras pessoas.
- Risco de choques eléctricos e ferimentos graves durante a desmontagem e manutenção deste produto. Os profissionais destes serviços devem estar avisados deste facto e tomar os cuidados necessários.

**ATENÇÃO — RISCO DE FERIMENTO**

A bateria de lítio neste produto não deve ser substituída. Existe o risco de explosão se uma bateria de lítio for substituída incorretamente. Não recarregue, desmonte ou incinere uma bateria de lítio. Descarte as baterias de lítio usadas de acordo com as instruções do fabricante e regulamentos locais.

**Informació de Seguretat**

- La seguretat d'aquest producte es basa en l'avaluació i aprovació del disseny original i els components específics. El fabricant no es fa responsable de les qüestions de seguretat si s'utilitzen peces de recanvi no autoritzades.
- La informació pel manteniment d'aquest producte està orientada exclusivament a professionals i no està destinada a ningú que no ho sigui.
- El risc de xoc elèctric i de danys personals pot augmentar durant el procés de desmuntatge i de servei d'aquest producte. El personal professional ha d'estar-ne assabentat i prendre les mesures convenients.

**ATENCIÓ**

La bateria de liti d'aquest producte no ha estat dissenyada perquè es substitueixi. Hi ha perill d'explosió si no es substitueix correctament la bateria de liti. No recarregueu, desmunteu o incinereu una bateria de liti. Desfeu-vos de les bateries de liti usades d'acord amb les instruccions del fabricant i les regulacions locals.

**안전 사항**

- 본 제품은 원래 설계 및 특정 구성에 대한 테스트 결과로 안정 성이 입증된 것입니다. 따라서 무허가 교체 부품을 사용하는 경우에는 제조업체에서 안전에 대한 책임을 지지 않습니다.
- 본 제품에 관한 유지 보수 설명서는 전문 서비스 기술자 용으로 작성된 것이므로, 비 전문가가 사용할 수 없습니다.
- 본 제품을 해체하거나 정비할 경우, 전기 전 인 충 경 을 받거나 상 처를 입을 위험이 커집니다. 전문 서비스 기술자는 이 사실을 숙지하고, 필요한 예방 조치를 취하도록 하십시오.

**주의—부상 위험**

이 제품에 들어 있는 리튬 배터리는 교체할 수 없습니다. 리튬 배터리를 잘못 교체하면 폭발할 위험이 있습니다. 리튬 배터리를 재충전하거나, 분해하거나, 태우지 마십시오. 제조업체의 지침과 지역 규정에 따라 다 쓴 리튬 배터리를 폐기하십시오.



## 安全信息

- 本产品的安全性以原来设计和特定产品的测试结果和认证为基础。万一使用未经许可的替换部件，制造商不对安全性负责。
- 本产品的维护信息仅供专业服务人员使用，并不打算证其他人使用。
- 本产品在拆卸、维修时，遭受电击或人员受伤的危险性会增高，专业服务人员对这点必须有所了触，并采取必要的预防措施。



### 当心—可能的伤害：

本产品中的锂电池不可更换。如果不正确更换锂电池，可能会有爆炸危险。不要再充电、拆解或焚烧锂电池。丢弃旧的锂电池时应按照制造商的指导及当地法规进行处理。



# Preface

This manual contains maintenance procedures for service personnel.

It is divided into the following chapters:


- **General information** contains a general description of the printer. Special tools and test equipment are discussed.
- **Diagnostic information** contains diagnostic aids you can use to isolate failing FRUs. These diagnostic aids include error code tables, symptom tables, and service checks.
- **Service menus** contains descriptions of the printer interface, the user and service menus.
- **Repair information** provides instructions for making printer adjustments and removing and installing FRUs.
- **Component locations** uses illustrations to identify the basic printer parts.
- **Maintenance** contains the lubrication specifications and recommendations to prevent problems.
- **Parts catalog** contains illustrations and part numbers for individual FRUs.
- **Appendix A: Printer specifications** contains detailed specifications about the product.
- **Appendix B: Options and features** contains the available options and other features of the product.
- **Appendix C: Theory of operation** contains the theory of operation.
- **Appendix D: Acronyms** contains the list of acronyms in the manual and their meanings.


## Service manual conventions


**Note:** A *note* provides additional information.


**Warning—Potential Damage:** A *warning* identifies something that may damage the product hardware or software.

This service manual uses several different types of caution statements:

 **CAUTION—POTENTIAL INJURY:** A *caution* identifies something that may cause harm to the service technician.

 **CAUTION—SHOCK HAZARD:** This type of caution indicates a danger from hazardous voltage in the area of the product where you are working. Unplug the product before you start working, or use caution if the product must receive power to perform the task.

 **CAUTION—HOT SURFACE:** This type of caution indicates a hot surface.

 **CAUTION—TIPPING HAZARD:** This type of caution indicates a tipping hazard.

## Change history

### June 2, 2016

- Updated the graphic of the “Electronics 2” topic in the “Parts catalog” chapter.
- Corrected the “Electronics 1” topic in the “Parts catalog” chapter.

## March 23, 2016

- Revised the topic “Covers” in the “Parts catalog” chapter.
- Revised the following topics in the “Diagnostic information” chapter:
  - Performing the initial troubleshooting check
  - Initial print quality check
  - User attendance messages (0-99.99)
  - Imaging unit smart chip contact service check
  - Toner smart chip compatibility service check
  - Imaging chip compatibility service check
  - Toner starvation service check
  - Unresponsive imaging unit service check (formerly “CTLS service check”)
  - Unresponsive toner cartridge service check (formerly “Toner cartridge smart chip contact service check”)
- Created the following topics in the “Diagnostic information” chapter:
  - Printer cartridge mismatch service check
  - Unsupported toner cartridge service check
  - Unsupported imaging unit service check
  - Supplies mismatch service check

## February 18, 2016

- Added the topic “Enabling the security reset jumper” in “Appendix A: Printer specifications” chapter.

## February 10, 2016

- Updated the art and table for the topic “Covers” in the “Parts catalog” chapter.

## January 20, 2016

- Revised step 2 of the topic “Entering invalid engine mode” in the “Configuration menu” group in the “Service menus” chapter.

## December 1, 2015

- Updated the topic “Toner density sensor removal” in the “Bottom removals” group in the “Repair information” chapter to add installation notes.

## October 29, 2015

- Updated the topic “Option trays” in the “Parts catalog” chapter to revise its art.
- Updated the topic “ACM assembly removal” in the “Repair information” chapter to revise its art.

## August 19, 2015

- Updated [“Laser scanning unit \(LSU\) removal” on page 244](#) to add a note regarding the correct sequence of tightening the screws when reinstalling the polygon LSU.

## August 7, 2015

- Updated [“Electronics 1” on page 261](#) to add PN 41X0913 for the video cable that is applicable only for models with galvo LSU.

## June 18, 2015

- Updated [“Frame” on page 266](#) to change the part numbers for the pick tires (from 41X0547 to 41X0918) and ACM assembly (40X8260 to 41X0919).

## May 13, 2015

- Updated [“200 paper jam messages” on page 48](#) to add error codes specific to polygon laser scanning unit (LSU).
- Updated [“111 error messages” on page 89](#) to add error messages specific to polygon LSU. Added notes to identify the type of LSU (polygon or galvo) and controller board the printer supports.
- Updated [“Laser scanning unit \(LSU\) service check” on page 91](#) to include other ways to resolve LSU-related issues. Added notes to identify the type of LSU (polygon or galvo) and controller board the printer supports.
- Updated [“Laser scanning unit \(LSU\) removal” on page 244](#) to add information on how to identify the type of LSU (polygon or galvo) and controller board the printer supports.
- Updated [“Electronics 1” on page 261](#) to specify whether the LSU that the printer supports is a polygon or galvo. Added in the table these two FRUs: Polygon LSU frame (PN 41X0363) and Polygon LSU cable (41X0759).

## April 23, 2015

- Updated the 97y error code table and created [“Network port error service check” on page 111](#) for the 97y error codes.
- Updated the 98y error code table and created [“Option communication error service check” on page 112](#) for the 98y error codes.
- Updated the 99y error code table and created [“Option communication error service check” on page 112](#) for the 99y error codes.

## April 6, 2015

- 40X8303 FRU was renamed to ‘250-sheet tray insert (standard tray only)’
- 40X8260 FRU was renamed to ‘ACM assembly (standard tray only)’
- 40X8262 FRU was renamed to ‘ACM assembly (option tray only)’
- 40X8305 FRU was renamed to ‘250-sheet tray insert (option tray only)’

## December 4, 2014

- Updated the LSU removal procedure.

## October 17, 2014

- Updated the ACM clutch removal procedure.
- Frame parts catalog assembly table—Removed the insulated displacement connectors (IDC) from 40X8265.

## October 9, 2014

- Updated the illustration of Electronics 2 parts catalog assembly to show the correct toner cartridge smart chip contact.

## September 8, 2014

- Changed part number 40X8296 to 41X0547.

**August 15, 2014**

Updated the following service checks:

- Toner cartridge smart chip contact service check
- Cartridge gearbox service check
- Toner starvation service check
- LSU service check
- Tray 1 jam service check

**July 2, 2014**

- Parts catalog frame assembly illustration—Removed the spring from 40X8295, and removed the cable from 40X8083.

**June 4, 2014**

- Parts catalog, Electronics 1 assembly—Changed LSU part number from 40X8081 to 40X8082.

# General information

The Lexmark™ MS312 is a single-function monochrome laser printers designed for small and mid-sized workgroups. All information in this service manual pertains to all models unless explicitly noted.

The printers are available in the following models:

Model	Configurations	Machine type / model
MS312dn	Duplex, Network (10/100 Ethernet)	4514-330

The diagnostic information in this manual leads you to the correct field replaceable unit (FRU) or part. Use the error code charts, symptom index, and service checks to determine the symptom and then repair the failure. After you complete the repair, perform tests as needed to verify the repair.

To begin diagnosing a problem, go to [“Diagnostic information” on page 33](#). See [“Repair information” on page 149](#) for information about removing and reinstalling parts. See [“Parts catalog” on page 258](#) to help identify parts.

## Media guidelines

### Paper guidelines

Selecting the correct paper or specialty media reduces printing problems. For the best print quality, try a sample of the paper or specialty media before buying large quantities.

### Paper characteristics

The following paper characteristics affect print quality and reliability. Consider these characteristics when evaluating new paper stock.

#### Weight

The printer trays can automatically feed paper weights up to 90-g/m<sup>2</sup> (24-lb) bond grain long paper. The multipurpose feeder can automatically feed paper weights up to 163-g/m<sup>2</sup> (43-lb) bond grain long paper. Paper lighter than 60 g/m<sup>2</sup> (16 lb) might not be stiff enough to feed properly, causing jams. For best performance, use 75-g/m<sup>2</sup> (20-lb) bond grain long paper. For paper smaller than 182 x 257 mm (7.2 x 10.1 inches), we recommended to use 90 g/m<sup>2</sup> (24 lb) or heavier paper.

**Note:** Two-sided printing is supported only for 60–90-g/m<sup>2</sup> (16–24-lb) bond paper.

#### Curl

Curl is the tendency for paper to curl at its edges. Excessive curl can cause paper feeding problems. Curl can occur after the paper passes through the printer, where it is exposed to high temperatures. Storing paper unwrapped in hot, humid, cold, or dry conditions, even in the trays, can contribute to paper curling prior to printing and can cause feeding problems.

## Smoothness

Paper smoothness directly affects print quality. If paper is too rough, then toner cannot fuse to it properly. If paper is too smooth, then it can cause paper feeding or print quality issues. Always use paper between 100 and 300 Sheffield points; however, smoothness between 150 and 250 Sheffield points produces the best print quality.

## Moisture content

The amount of moisture in paper affects both print quality and the ability of the printer to feed the paper correctly. Leave paper in its original wrapper until it is time to use it. This limits the exposure of paper to moisture changes that can degrade its performance.

Store paper in its original wrapper in the same environment as the printer for 24 to 48 hours before printing. Extend the time to several days if the storage or transportation environment is very different from the printer environment. Thick paper may also require a longer conditioning period.

## Grain direction

Grain refers to the alignment of the paper fibers in a sheet of paper. Grain is either *grain long*, running the length of the paper, or *grain short*, running the width of the paper.

For 60–90-g/m<sup>2</sup> (16–24-lb) bond paper, grain long paper is recommended.

## Fiber content

Most high-quality xerographic paper is made from 100% chemically treated pulped wood. This content provides the paper with a high degree of stability resulting in fewer paper feeding problems and better print quality. Paper containing fibers such as cotton can negatively affect paper handling.

## Unacceptable paper

The following paper types are not recommended for use with the printer:

- Chemically treated papers used to make copies without carbon paper, also known as carbonless papers, carbonless copy paper (CCP), or no carbon required (NCR) paper
- Preprinted papers with chemicals that may contaminate the printer
- Preprinted papers that can be affected by the temperature in the printer fuser
- Preprinted papers that require a registration (the precise print location on the page) less than  $\pm 2.5$  mm ( $\pm 0.10$  inch), such as optical character recognition (OCR) forms

In some cases, registration can be adjusted with a software application to successfully print on these forms:

- Coated papers (erasable bond), synthetic papers, thermal papers
- Rough-edged, rough or heavily textured surface papers, or curled papers
- Recycled papers that fail EN12281:2002 (European)
- Paper weighing less than 60 g/m<sup>2</sup> (16 lb)
- Multiple-part forms or documents

## Selecting paper

Using the appropriate paper prevents jams and helps ensure trouble-free printing.



To help avoid paper jams and poor print quality:

- *Always* use new, undamaged paper.
- Before loading paper, know the recommended printable side of the paper. This information is usually indicated on the paper package.
- *Do not* use paper that has been cut or trimmed by hand.
- *Do not* mix paper sizes, types, or weights in the same tray; mixing results in jams.
- *Do not* use coated papers unless they are specifically designed for electrophotographic printing.

## Selecting preprinted forms and letterhead

Use these guidelines when selecting preprinted forms and letterhead:

- Use grain long for 60 to 90 g/m<sup>2</sup> (16 to 24 lb) weight paper.
- Use only forms and letterhead printed using an offset lithographic or engraved printing process.
- Avoid papers with rough or heavily textured surfaces.

Use papers printed with heat-resistant inks designed for use in xerographic copiers. The ink must be able to withstand temperatures up to 230°C (446°F) without melting or releasing hazardous emissions. Use inks that are not affected by the resin in toner. Inks that are oxidation-set or oil-based generally meet these requirements; latex inks might not. When in doubt, contact the paper supplier.

Preprinted papers such as letterhead must be able to withstand temperatures up to 230°C (446°F) without melting or releasing hazardous emissions.

## Using recycled paper and other office papers

As an environmentally conscientious company, Lexmark supports the use of recycled paper produced specifically for use in laser (electrophotographic) printers.

While no blanket statement can be made that all recycled paper will feed well, Lexmark consistently tests papers that represent recycled cut size copier papers available on the global market. This scientific testing is conducted with rigor and discipline. Many factors are taken into consideration both separately and as a whole, including the following:

- Amount of post-consumer waste (Lexmark tests up to 100% post-consumer waste content.)
- Temperature and humidity conditions (Testing chambers simulate climates from all over the world.)
- Moisture content (Business papers should have low moisture: 4–5%.)
- Bending resistance and proper stiffness means optimum feeding through the printer.
- Thickness (impacts how much can be loaded into a tray)
- Surface roughness (measured in Sheffield units, impacts print clarity and how well toner fuses to the paper)
- Surface friction (determines how easily sheets can be separated)
- Grain and formation (impacts curling, which also influences the mechanics of how the paper behaves as it moves through the printer)
- Brightness and texture (look and feel)

Recycled papers are better than ever; however, the amount of recycled content in a paper affects the degree of control over foreign matter. And while recycled papers are one good path to printing in an environmentally responsible manner, they are not perfect. The energy required to de-ink and deal with additives such as colorants and “glue” often generates more carbon emissions than does normal paper production. However, using recycled papers enables better resource management overall.

Lexmark concerns itself with the responsible use of paper in general based on life cycle assessments of its products. To gain a better understanding of the impact of printers on the environment, the company commissioned a number of life cycle assessments and found that paper was identified as the primary contributor (up to 80%) of carbon emissions caused throughout the entire life of a device (from design to end-of-life). This is due to the energy-intensive manufacturing processes required to make paper.

Thus, Lexmark seeks to educate customers and partners on minimizing the impact of paper. Using recycled paper is one way. Eliminating excessive and unnecessary paper consumption is another. Lexmark is well-equipped to help customers minimize printing and copying waste. In addition, the company encourages purchasing paper from suppliers who demonstrate their commitment to sustainable forestry practices.

Lexmark does not endorse specific suppliers, although a converter's product list for special applications is maintained. However, the following paper choice guidelines will help alleviate the environmental impact of printing:

- 1 Minimize paper consumption.
- 2 Be selective about the origin of wood fiber. Buy from suppliers who carry certifications such as the Forestry Stewardship Council (FSC) or the Program for the Endorsement of Forest Certification (PEFC). These certifications guarantee that the paper manufacturer uses wood pulp from forestry operators that employ environmentally and socially responsible forest management and restoration practices.
- 3 Choose the most appropriate paper for printing needs: normal 75 or 80 g/m<sup>2</sup> certified paper, lower weight paper, or recycled paper.

### Unacceptable paper examples

Test results indicate that the following paper types are at risk for use with laser printers:

- Chemically treated papers used to make copies without carbon paper, also known as *carbonless papers*
- Preprinted papers with chemicals that may contaminate the printer
- Preprinted papers that can be affected by the temperature in the printer fuser
- Preprinted papers that require a registration (the precise location on the page) greater than  $\pm 2.3$  mm ( $\pm 0.9$  in.), such as optical character recognition (OCR) forms. In some cases, registration can be adjusted with a software application to successfully print on these forms.)
- Coated papers (erasable bond), synthetic papers, thermal papers
- Rough-edged, rough or heavily textured surface papers or curled papers
- Recycled papers that fail EN12281:2002 (European testing)
- Paper weighing less than 60 g/m<sup>2</sup> (16 lb)
- Multiple part forms or documents

For more information about Lexmark, go to [www.lexmark.com](http://www.lexmark.com). General sustainability-related information can be found at the **Environmental Sustainability** link.

### Storing paper

Use these paper storage guidelines to help avoid jams and uneven print quality:

- For best results, store paper where the temperature is 21°C (70°F) and the relative humidity is 40 percent. Most label manufacturers recommend printing in a temperature range of 18–24°C (65–75°F) with relative humidity between 40 and 60 percent.
- Store paper in cartons, on a pallet or shelf, rather than on the floor.
- Store individual packages on a flat surface.

- Do not store anything on top of individual paper packages.
- Take paper out of the carton or wrapper only when you are ready to load it in the printer. The carton and wrapper help keep the paper clean, dry, and flat.

## Using specialty media

### Tips on using card stock

Card stock is heavy, single-ply specialty media. Many of its variable characteristics, such as moisture content, thickness, and texture, can significantly impact print quality. Print samples on the card stock being considered for use before buying large quantities.

When printing on card stock:

- Make sure the Paper Type is Card Stock.
- Select the appropriate Paper Texture setting.
- Be aware that preprinting, perforation, and creasing may significantly affect the print quality and cause jams or other paper handling problems.
- Check with the manufacturer or vendor to ensure that the card stock can withstand temperatures up to 240°C (464°F) without releasing hazardous emissions.
- Do not use preprinted card stock manufactured with chemicals that may contaminate the printer. Preprinting introduces semi-liquid and volatile components into the printer.
- Use grain short card stock when possible.

### Tips on using envelopes

Print samples on the envelopes being considered for use before buying large quantities.

- Use envelopes designed specifically for laser printers. Check with the manufacturer or vendor to ensure that the envelopes can withstand temperatures up to 230°C (446°F) without sealing, wrinkling, curling excessively, or releasing hazardous emissions.
- For best performance, use envelopes made from 90-g/m<sup>2</sup> (24-lb bond) paper or 25% cotton. All-cotton envelopes must not exceed 70-g/m<sup>2</sup> (20-lb bond) weight.
- Use only new envelopes from undamaged packages.
- To optimize performance and minimize jams, do not use envelopes that:
  - Have excessive curl or twist
  - Are stuck together or damaged in any way
  - Have windows, holes, perforations, cutouts, or embossing
  - Have metal clasps, string ties, or folding bars
  - Have an interlocking design
  - Have postage stamps attached
  - Have any exposed adhesive when the flap is in the sealed or closed position
  - Have bent corners
  - Have rough, cockle, or laid finishes
- Adjust the width guides to fit the width of the envelopes.

**Note:** A combination of high humidity (over 60%) and high printing temperature may wrinkle or seal envelopes.

## Tips on using labels

Print samples on the labels being considered for use before buying large quantities.

**Note:** Use only paper label sheets. Vinyl, pharmacy, and two-sided labels are not supported.

For more information on label printing, characteristics, and design, see the *Card Stock & Label Guide* available at <http://support.lexmark.com>.

When printing on labels:

- Use labels designed specifically for laser printers. Check with the manufacturer or vendor to verify that:
  - The labels can withstand temperatures up to 240°C (464°F) without sealing, excessive curling, wrinkling, or releasing hazardous emissions.
  - Label adhesives, face sheet (printable stock), and topcoats can withstand up to 172-kPa (25-psi) pressure without delaminating, oozing around the edges, or releasing hazardous fumes.
- Do not use labels with slick backing material.
- Use full label sheets. Partial sheets may cause labels to peel off during printing, resulting in a jam. Partial sheets also contaminate the printer and the cartridge with adhesive, and could void the printer and toner cartridge warranties.
- Do not use labels with exposed adhesive.
- Do not print within 1 mm (0.04 inch) of the edge of the label, of the perforations, or between die-cuts of the label.
- Make sure the adhesive backing does not reach to the edge of the sheet. Zone coating of the adhesive should be at least 1 mm (0.04 inch) away from edges. Adhesive material contaminates the printer and could void the warranty.
- If zone coating of the adhesive is not possible, then remove a 2-mm (0.08-inch) strip on the leading and driver edge, and then use a non-oozing adhesive.
- Portrait orientation is recommended, especially when printing bar codes.

## Tips on using transparencies

- Print a test page on the transparencies being considered for use before buying large quantities.
- Feed transparencies from the standard tray, or the multipurpose feeder.
- Use transparencies designed specifically for laser printers. Transparencies must be able to withstand temperatures up to 185°C (365°F) without melting, discoloring, offsetting, or releasing hazardous emissions.
 

**Note:** If the transparency weight is set to Heavy and the transparency texture is set to Rough in the Paper menu, then transparencies can be printed at a temperature up to 195°C (383°F).
- Avoid getting fingerprints on the transparencies to prevent print quality problems.
- Before loading transparencies, flex, fan, and straighten the stack to prevent sheets from sticking together.

## Supported paper sizes, types, and weights

### Supported paper sizes

**Note:** For an unlisted paper size, select the closest *larger* listed size. For information on card stock and labels, see the *Card Stock & Label Guide*.

Paper size	Standard tray	Optional 250- or 550-sheet tray	Multipurpose feeder	Duplex mode
<b>A4</b> 210 x 297 mm (8.3 x 11.7 in.)	✓	✓	✓	✓
<b>A5</b> 148 x 210 mm (5.8 x 8.3 in.)	✓	✓	✓	X
<b>A6</b> 105 x 148 mm (4.1 x 5.8 in.)	✓	X	✓	X
<b>JIS B5</b> 182 x 257 mm (7.2 x 10.1 in.)	✓	✓	✓	X
<b>Letter</b> 216 x 279 mm (8.5 x 11 in.)	✓	✓	✓	✓
<b>Legal</b> 216 x 356 mm (8.5 x 14 in.)	✓	✓	✓	✓
<b>Executive</b> 184 x 267 mm (7.3 x 10.5 in.)	✓	✓	✓	X
<b>Oficio (Mexico)<sup>1</sup></b> 216 x 340 mm (8.5 x 13.4 in.)	✓	✓	✓	✓
<b>Folio</b> 216 x 330 mm (8.5 x 13 in.)	✓	✓	✓	✓
<b>Statement</b> 140 x 216 mm (5.5 x 8.5 in.)	✓	✓	✓	X
<b>Universal<sup>2</sup></b> 76.2 x 127 mm (3 x 5 in.) up to 216 x 356 mm (8.5 x 14 in.)	✓	✓	✓	✓
<b>7 3/4 Envelope (Monarch)</b> 98 x 191 mm (3.9 x 7.5 in.)	X	X	✓	X
<b>9 Envelope</b> 98 x 225 mm (3.9 x 8.9 in.)	X	X	✓	X
<b>10 Envelope</b> 105 x 241 mm (4.1 x 9.5 in.)	X	X	✓	X
<b>DL Envelope</b> 110 x 220 mm (4.3 x 8.7 in.)	X	X	✓	X

<sup>1</sup> This size setting formats the page for 216 x 356 mm (8.5 x 14 in.) unless the size is specified by the software application.

<sup>2</sup> Universal is supported only in the standard tray if the paper size is at least 105 x 148 mm (4.1 x 5.8 in.). Universal is supported only in the optional 250- or 550-sheet tray if the paper size is at least 148 x 210 mm (5.8 x 8.3 in.). Universal is only supported in duplex mode if the width is at least 210 mm (8.3 in.) and length is at least 279 mm (11 in.). The smallest supported Universal size is only supported in the multipurpose feeder.

Paper size	Standard tray	Optional 250- or 550-sheet tray	Multipurpose feeder	Duplex mode
<b>C5 Envelope</b> 162 x 229 mm (6.4 x 9 in.)	X	X	✓	X
<b>B5 Envelope</b> 176 x 250 mm (6.9 x 9.8 in.)	X	X	✓	X
<b>Other Envelope</b> 229 x 356 mm (9 x 14 in.)	X	X	✓	X

<sup>1</sup> This size setting formats the page for 216 x 356 mm (8.5 x 14 in.) unless the size is specified by the software application.

<sup>2</sup> Universal is supported only in the standard tray if the paper size is at least 105 x 148 mm (4.1 x 5.8 in.). Universal is supported only in the optional 250- or 550-sheet tray if the paper size is at least 148 x 210 mm (5.8 x 8.3 in.). Universal is only supported in duplex mode if the width is at least 210 mm (8.3 in.) and length is at least 279 mm (11 in.). The smallest supported Universal size is only supported in the multipurpose feeder.

## Supported paper types and weights

The standard tray supports 60–90-g/m<sup>2</sup> (16–24-lb) paper weights. The optional tray supports 60–120-g/m<sup>2</sup> (16–32-lb) paper weights. The multipurpose feeder supports 60–163-g/m<sup>2</sup> (16–43-lb) paper weights.

Paper type	250- or 550-sheet tray	Multipurpose feeder	Duplex mode
<b>Plain paper</b>	✓	✓	✓
<b>Card stock</b>	X	✓	X
<b>Transparencies</b>	✓	✓	X
<b>Recycled</b>	✓	✓	✓
<b>Glossy paper</b>	X	X	X
<b>Paper labels<sup>1</sup></b>	✓	✓	X
<b>Vinyl labels</b>	X	X	X
<b>Bond<sup>2</sup></b>	✓	✓	✓
<b>Envelope</b>	X	✓	X
<b>Rough envelope</b>	X	✓	X
<b>Letterhead</b>	✓	✓	✓
<b>Preprinted</b>	✓	✓	✓
<b>Colored Paper</b>	✓	✓	✓
<b>Light Paper</b>	✓	✓	✓

Paper type	250- or 550-sheet tray	Multipurpose feeder	Duplex mode
Heavy Paper <sup>2</sup>	✓	✓	✓
Rough/Cotton	✓	✓	x

<sup>1</sup> One-sided paper labels designed for laser printers are supported for occasional use. It is recommended to print 20 or fewer pages of paper labels per month. Vinyl, pharmacy, and two-sided labels are not supported.

<sup>2</sup> Bond and Heavy Paper are supported in duplex mode up to 90-g/m<sup>2</sup> (24-lb) paper weight.

## Data security notice

- 1 The printer contains various types of memory that store printer and network settings, information from embedded solutions, and user data.

The following are the types of memory and data that they store.

- **Volatile memory**—The printer uses standard random access memory (RAM) to buffer user data temporarily during simple print and copy jobs.
- **Non-volatile memory**—The printer may use two forms of non-volatile memory: EEPROM and NAND (flash memory). Both types are used to store the operating system, printer settings, network information, scanner and bookmark settings, and embedded solutions.
- **Hard disk memory**—The printer hard disk is designed for printer-specific functionality and cannot be used for the long-term storage of data that is not print-related. The hard disk can retain buffered user data from complex print jobs, form data, and font data.

To erase volatile memory, turn off the printer.

To erase the non-volatile and printer hard disk memory, see [“Configuration menu” on page 141](#).

The following parts are capable of storing memory:

- Printer control panel
- User interface controller card (UICC)
- Controller board
- Optional hard disk

**Note:** The control panel and controller board contain NVRAM.

- 2 After removing the old part, return it to your next level of support.


## Tools required for service


- Flat-blade screwdrivers, various sizes
- #0 Phillips screwdriver, magnetic
- #1 Phillips screwdriver, magnetic
- #2 Phillips screwdriver, magnetic
- #2 Phillips screwdriver, magnetic short-blade
- Needle-nose pliers
- Diagonal side cutters
- Spring hook

- Feeler gauges
- Analog or digital multimeter
- Flashlight (optional)



# Diagnostic information

 **CAUTION—SHOCK HAZARD:** For personal safety and to prevent damage to the printer, remove the power cord from the electrical outlet before you connect or disconnect any cable, electronic board or assembly.

 **CAUTION—HOT SURFACE:** The inside of the printer might be hot. To reduce the risk of injury from a hot component, allow the surface to cool before touching it.

## Troubleshooting overview

### Performing the initial troubleshooting check

Before you start the troubleshooting procedures, perform the following checks:

- Use genuine Lexmark supplies and parts for the best results. Third-party supplies or parts may affect the performance, reliability, or life of the printer and its imaging components.
- With the power cord unplugged from the electrical outlet, check that the cord is free from the breakage, short circuits, disconnected wires, or incorrect connections.
- Make sure the printer is properly grounded. Check the power cord ground terminal.
- Make sure the power supply line voltage is within 10% of the rated line voltage.
- Make sure the machine is securely installed on a level surface in a well-ventilated area.
- Make sure the room temperature is between 16 and 32°C (60 and 90°F) and that the relative humidity is between 20 and 80%.
- Avoid sites generating ammonia gas, high temperature, high humidity (near water faucets, kettles, humidifiers), cold spaces, near open flames, and dusty areas.
- Avoid sites exposed to direct sunlight.
- Make sure the paper is the recommended paper for this printer.
- Make a trial print with paper from a newly opened package, and check the result.

### Power-on Reset (POR) sequence

When you turn the printer on, it performs a POR sequence.

Check for correct POR functioning of the base printer by observing the following:

- 1 The control panel indicator light turns on (solid red, then solid amber).
- 2 A line of dots appear on the display.
- 3 **[x] MB [y] MHz** appears on the display.

- 4 The control panel indicator light switches from solid amber to solid green. The display resets, and then a line of dots appear.
- 5 The cooling fan turns on.
- 6 The fuser heater turns on.  
**Note:** The fuser takes longer to warm up from a cold start than a warm start.
- 7 The main drive motor turns on.
- 8 The EP drive assembly drives the developer shaft located in the imaging unit.
- 9 The exit rollers turn.
- 10 **Ready** appears on the display.

If no error code is displayed, but a symptom is present, go to [“Base printer symptoms” on page 113](#).

## Fixing print quality issues

The symptoms described in this chapter might require replacement of one or more CRUs (Customer Replaceable Units) designated as supplies or maintenance items, which are the responsibility of the customer. With the customer's permission, you might need to install a toner cartridge.

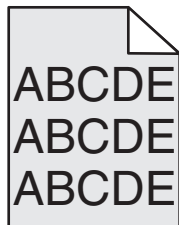
### Initial print quality check

Before troubleshooting specific print problems, complete the following initial print quality check:

- Use only genuine Lexmark supplies. Third-party supplies may cause print quality problems.
- The printer must be in a location that follows the recommended operating environment specifications. See [“Operating environment” on page 277](#).
- Check the life status of all supplies. Any supply that is low should be replaced.
- Load 20-lb plain letter or A4 paper. Make sure the paper guides are properly set and locked. From the control panel, set the paper size and type to match the paper loaded in the tray.
- Print a menu settings page. Be sure to keep the original menu settings page to restore the customer's custom settings if needed.
- Verify on the menu settings page if the following are set to their default values:
  - Print resolution: 600 dpi
  - Toner darkness: 8
- Check the transfer roll for damage. Replace if damaged.
- Check the toner cartridge and imaging unit for damage. Replace if damaged.
- Print the print quality pages to see if the problem remains. Use Tray 1 to test print quality problems.
- Print a print quality test page, and then look for variations in the print from what is expected. Verify if the settings under EP Setup are set to their default values. See [“EP Defaults” on page 138](#).

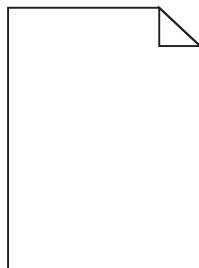
- Check to ensure the correct printer driver for the installed software is being used. An incorrect printer driver for the installed software can cause problems. Incorrect characters could print, and the copy may not fit the page correctly.

## Gray background or toner fog check



Actions	Yes	No
<p><b>Step 1</b> Check the cartridge plunger.</p> <p>Is the cartridge plunger properly attached to the front door, and is the spring functioning properly?</p>	Go to step 2.	Replace the cartridge plunger. See <a href="#">“Cartridge plunger removal” on page 198.</a>
<p><b>Step 2</b> Remove any contamination from the CTLS contacts. Perform a print test.</p> <p>Does the problem remain?</p>	Go to step 3.	The problem is solved.
<p><b>Step 3</b> Check the CTLS for damage.</p> <p>Is it free of damage?</p>	Go to step 4.	Replace the printer.
<p><b>Step 4</b> Check the transfer roll for surface contamination or excessive wear.</p> <p>Is it free of contamination and wear?</p>	Go to step 5.	Replace the transfer roll. See <a href="#">“Transfer roll removal” on page 197.</a>
<p><b>Step 5</b> Check the transfer roll left contact spring for damage.</p> <p>Is it free of damage?</p>	Replace the power supply. See <a href="#">“Power supply removal” on page 218.</a>	Replace the printer.

## Blank pages check



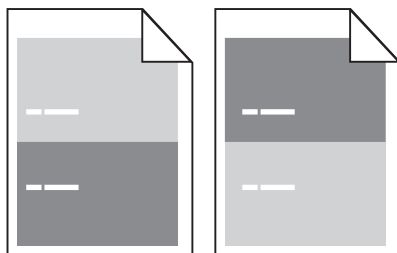
Actions	Yes	No
<p><b>Step 1</b> Check the toner cartridge level.</p> <p>Is the toner level low?</p>	<p>Replace the toner cartridge.</p>	<p>Go to step 2.</p>
<p><b>Step 2</b> Check the cartridge plunger.</p> <p>Is the cartridge plunger properly attached to the front door and is the spring functioning properly?</p>	<p>Go to step 3.</p>	<p>Replace the cartridge plunger. See <a href="#">“Cartridge plunger removal” on page 198.</a></p>
<p><b>Step 3</b> Check the imaging unit for wear or damage.</p> <p>Is it free of wear or damage?</p>	<p>Go to step 4.</p>	<p>Replace the imaging unit.</p>
<p><b>Step 4</b> Check the transfer roll for surface contamination or excessive wear.</p> <p>Is it free of contamination and wear?</p>	<p>Go to step 5.</p>	<p>Replace the transfer roll. See <a href="#">“Transfer roll removal” on page 197.</a></p>
<p><b>Step 5</b> Check the transfer roll left contact spring for damage.</p> <p>Is it free of damage?</p>	<p>Go to step 6.</p>	<p>Replace the printer.</p>
<p><b>Step 6</b> Reseat the cables JGLV1 and JVIDEO1 or JUICC1 on the controller board.</p> <p>Does the problem remain?</p>	<p>Replace the power supply. See <a href="#">“Power supply removal” on page 218.</a></p>	<p>The problem is solved.</p>

## Solid black pages check



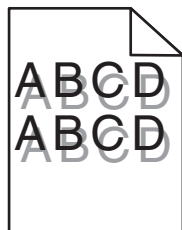
Actions	Yes	No
<b>Step 1</b> Check the imaging unit for damage.  Is it free of damage?	Go to step 2.	Replace the imaging unit.
<b>Step 2</b> Remove any contamination from the imaging unit contacts.  Does the problem remain?	Go to step 3.	The problem is solved.
<b>Step 3</b> Check the imaging unit contacts for damage.  Are they free of damage?	Replace the power supply. See <a href="#">“Power supply removal” on page 218.</a>	Replace the printer.

## Repeating defects check



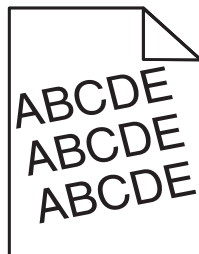
Actions	Yes	No
<b>Step 1</b> Measure the distance between defects. Is the distance between defects equal to any of the following? <ul style="list-style-type: none"> <li>• 3.82 in. (97 mm)</li> <li>• 1.85 in. (47 mm)</li> <li>• 1.5 in. (38 mm)</li> </ul>	Replace the imaging unit.	Go to step 2.
<b>Step 2</b> Is the distance between defects equal to 3.15 in. (80 mm)?	Replace the fuser. See <a href="#">“Fuser removal” on page 242.</a>	Contact the next level of support.

## Shadow images check



Actions	Yes	No
<p><b>Step 1</b></p> <p>Does the shadow image appear every two pages?</p>	Go to step 2.	Go to step 3.
<p><b>Step 2</b></p> <p>Check the redrive assembly for wear or damage.</p> <p>Is it free of wear or damage?</p>	Go to step 3.	Replace the redrive assembly. See <a href="#">“Redrive assembly removal” on page 239.</a>
<p><b>Step 3</b></p> <p>Check the transfer roll for surface contamination or excessive wear.</p> <p>Is it free of contamination and wear?</p>	Go to step 4.	Replace the transfer roll. See <a href="#">“Transfer roll removal” on page 197.</a>
<p><b>Step 4</b></p> <p>Check the following fuser components for wear or damage:</p> <ul style="list-style-type: none"> <li>• Gears</li> <li>• Exit rollers</li> <li>• Belt fuser</li> </ul> <p>Are they free of damage?</p>	Go to step 5.	Replace the fuser. See <a href="#">“Fuser removal” on page 242.</a>
<p><b>Step 5</b></p> <p><b>a</b> Turn off the printer.</p> <p><b>b</b> Remove the rear door and cover.</p> <p><b>c</b> Disconnect the fuser cable connected to PCN5 of the power supply.</p> <p><b>d</b> Check for approximate correct resistance on the fuser cable:</p> <ul style="list-style-type: none"> <li>• 220 V fuser—43 ohms</li> <li>• 110 V fuser—10 ohms</li> <li>• 100 V fuser—8 ohms</li> </ul> <p>Is the resistance equal to any of the above values?</p>	The problem is solved.	Replace the fuser. See <a href="#">“Fuser removal” on page 242.</a>

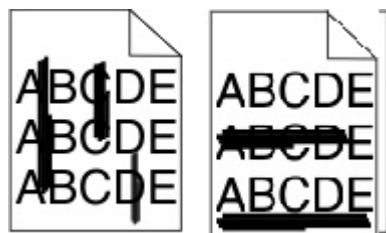
## Skewed print check



Actions	Yes	No
<p><b>Step 1</b></p> <p><b>a</b> POR into the Diagnostics menu and perform a print test:  <b>Diagnostics Menu &gt; Print Tests &gt; Tray 1</b></p> <p><b>b</b> Adjust the margins if necessary:  <b>Diagnostics Menu &gt; Registration</b></p> <p>Does the error remain?</p>	Go to step 2.	The problem is solved.
<p><b>Step 2</b></p> <p>Does the skew appear every two pages?</p>	Go to step 9.	Go to step 3.
<p><b>Step 3</b></p> <p>Check the media source.</p> <p>Is the media from Tray 1?</p>	Go to step 4.	If the media is from the MPF, then go to step 6.
<p><b>Step 4</b></p> <p>Make sure the pick tires are free of debris. Check for wear or damage.</p> <p>Are they free of wear or damage?</p>	Go to step 5.	Replace the pick tires.
<p><b>Step 5</b></p> <p>Check the lift plate on the input tray for damage.</p> <p>Is it free of damage?</p>	Go to step 11.	Replace the input tray.
<p><b>Step 6</b></p> <p>Make sure the MPF pick roller and separator pad are free of debris. Check for wear or damage.</p> <p>Are they free of wear or damage?</p>	Go to step 7.	Replace the MPF pick roller and separator pad. See <a href="#">“MPF pick roller removal” on page 208</a> and <a href="#">“Separator pad removal” on page 216</a> .

Actions	Yes	No
<p><b>Step 7</b> Check the MPF gearbox for wear or damage.</p> <p>Is it free of wear or damage?</p>	Go to step 8.	Replace the MPF gearbox. See <a href="#">“MPF gearbox removal” on page 179.</a>
<p><b>Step 8</b> Make sure the front input guide rollers are free of debris. Check for wear or damage.</p> <p>Are they free of wear or damage?</p>	Go to step 11.	Replace the front input guide. See <a href="#">“Front input guide removal” on page 214.</a>
<p><b>Step 9</b> Make sure the redrive rollers are free of debris. Check for wear or damage.</p> <p>Are they free of wear or damage?</p>	Go to step 10.	Replace the redrive assembly. See <a href="#">“Redrive assembly removal” on page 239.</a>
<p><b>Step 10</b></p> <ul style="list-style-type: none"> <li>a Remove the left cover.</li> <li>b POR into the Diagnostics menu and perform a duplex test: <b>Diagnostics Menu &gt; Duplex Tests</b></li> <li>c Observe the reverse solenoid for proper operation.</li> </ul> <p>Does it properly operate?</p>	Go to step 11.	Replace the reverse solenoid. See <a href="#">“Reverse solenoid removal” on page 182.</a>
<p><b>Step 11</b> Make sure the input roller/deskew assembly is free of debris. Check for wear or damage.</p> <p>Is it free of wear or damage?</p>	Contact the next level of support.	Replace the printer.

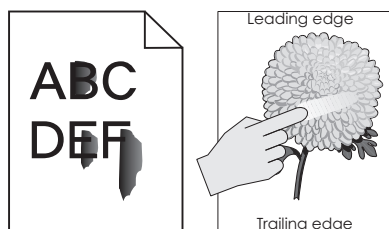
## Streaked horizontal or vertical lines appear on prints check





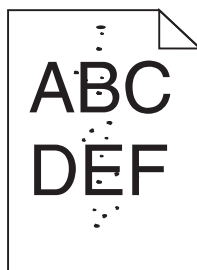
Actions	Yes	No
<p><b>Step 1</b> Check the imaging unit for wear or damage.</p> <p>Is it free of wear or damage?</p>	Go to step 2.	Replace the imaging unit.
<p><b>Step 2</b> Make sure the paper path is free of debris or toner contamination.</p> <p>Does the problem remain?</p>	Go to step 3.	The problem is solved.
<p><b>Step 3</b> Check the transfer roll for contamination or excessive wear.</p> <p>Is it free of contamination or wear?</p>	Go to step 4.	Replace the transfer roll. See <a href="#">“Transfer roll removal” on page 197.</a>
<p><b>Step 4</b> Remove the fuser and check for damage or debris on the rollers and belts.</p> <p>Is it free of damage and debris?</p>	Go to step 5.	Replace the fuser. See <a href="#">“Fuser removal” on page 242.</a>
<p><b>Step 5</b> Reseat the cables JVIDEO1 and JGLV on the controller board.</p> <p>Does the problem remain?</p>	Replace the LSU. See <a href="#">“Laser scanning unit (LSU) removal” on page 244.</a>	The problem is solved.

## Toner smear check



Actions	Yes	No
<p><b>Step 1</b> Check if the fuser screws are tightly fastened.</p> <p>Are they tightly fastened?</p>	Go to step 2.	Tighten the screws.
<p><b>Step 2</b></p> <p><b>a</b> Turn off the printer.</p> <p><b>b</b> Remove the rear door and cover.</p> <p><b>c</b> Disconnect the fuser cable connected to PCN5 of the power supply.</p> <p><b>d</b> Check for approximate correct resistance on the fuser cable:</p> <ul style="list-style-type: none"> <li>• 220 V fuser—43 ohms</li> <li>• 110 V fuser—10 ohms</li> <li>• 100 V fuser—8 ohms</li> </ul> <p>Is the resistance equal to any of the above values?</p>	Go to step 3.	Replace the fuser. See <a href="#">“Fuser removal” on page 242.</a>
<p><b>Step 3</b> Check the following fuser components for wear or damage:</p> <ul style="list-style-type: none"> <li>• Gears</li> <li>• Exit rollers</li> <li>• Belt fuser</li> </ul> <p>Are they free of damage?</p>	Replace the power supply. See <a href="#">“Power supply removal” on page 218.</a>	Replace the fuser. See <a href="#">“Fuser removal” on page 242.</a>

## Toner specks appear on prints check



Actions	Yes	No
<p><b>Step 1</b> Check the imaging unit for wear or damage.</p> <p>Is it free of wear or damage?</p>	Go to step 2.	Replace the imaging unit.
<p><b>Step 2</b> Make sure the paper path is free of debris or toner contamination.</p> <p>Does the problem remain?</p>	Go to step 3.	The problem is solved.

Actions	Yes	No
<p><b>Step 3</b></p> <p>Check the transfer roll for contamination or excessive wear.</p> <p>Is it free of contamination or wear?</p>	Go to step 4.	Replace the transfer roll. See <a href="#">“Transfer roll removal” on page 197.</a>
<p><b>Step 4</b></p> <p>Remove the fuser and check for damage or debris on the rollers and belts.</p> <p>Is it free of damage and debris?</p>	Go to step 5.	Replace the fuser. See <a href="#">“Fuser removal” on page 242.</a>
<p><b>Step 5</b></p> <p>Reseat the cables JVIDEO1 and JGLV on the controller board.</p> <p>Does the problem remain?</p>	Replace the LSU. See <a href="#">“Laser scanning unit (LSU) removal” on page 244.</a>	The problem is solved.

## Paper jams

### Avoiding jams

#### Load paper properly

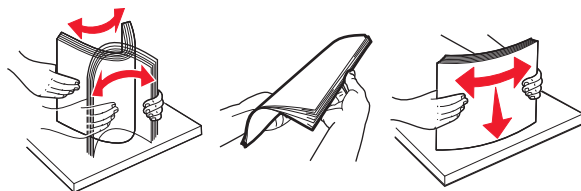
- Make sure that the paper lies flat in the tray.
- Do not remove a tray while the printer is printing.
- Do not load a tray while the printer is printing. Load it before printing, or wait for a prompt to load it.
- Do not load too much paper. Make sure that the stack height is below the maximum paper fill indicator.
- Do not slide paper into the tray. Load paper as shown in the illustration.



- Make sure that the paper guides are properly positioned.
- Push the tray firmly into the printer after loading paper.

### Use recommended paper

- Use only recommended paper or specialty media.
- Do not load wrinkled, creased, damp, bent, or curled paper.
- Flex, fan, and straighten paper before loading it.



- Do not use paper that has been cut or trimmed by hand.
- Do not mix paper sizes, weights, or types in the same tray.
- Make sure that the paper size and type are set correctly on the Embedded Web Server or the computer.

**Note:** Depending on your operating system, access the Paper menu using Local Printer Settings Utility or Printer Settings.

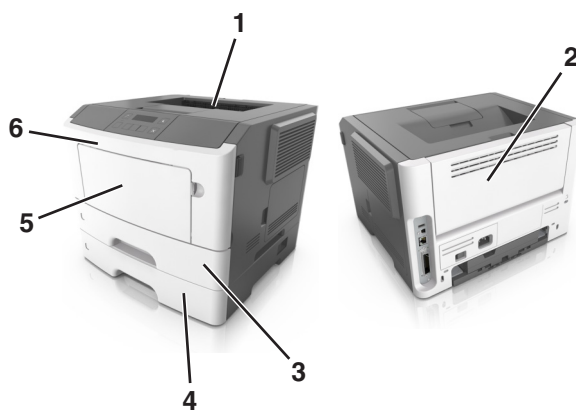
- Store paper according to manufacturer recommendations.

## Understanding jam messages and locations

When a jam occurs, a message indicating the jam location and information to clear the jam appears on the printer display. Open the doors, covers, and trays indicated on the display to remove the jam.

### Notes:

- When Jam Assist is set to On, the printer automatically flushes blank pages or pages with partial prints to the standard bin after a jammed page has been cleared. Check your printed output stack for discarded pages.
- When Jam Recovery is set to On or Auto, the printer reprints jammed pages. However, the Auto setting does not guarantee that the page will print.



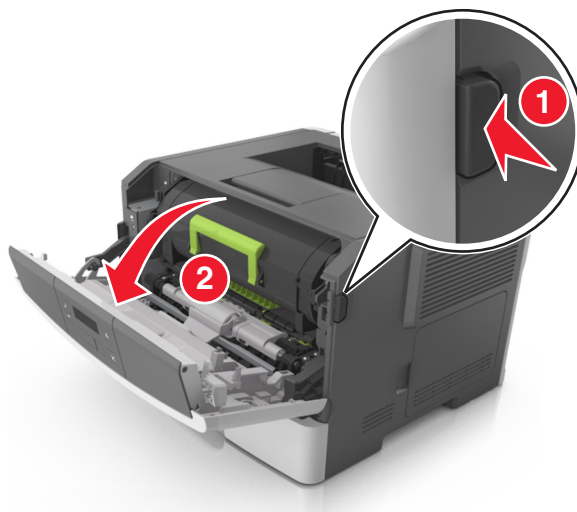
#	Area	Printer control panel message	What to do
1	Standard bin	Jam, standard bin [20y.xx]	Remove the jammed paper.
2	Rear door	Jam, rear door [20y.xx]	Open the rear door, and then remove the jammed paper.
3	Tray 1	Jam, pull tray 1. Push down blue flap. [23y.xx]	Pull tray 1 completely out, then push the front duplex flap down, and then remove the jammed paper. <b>Note:</b> You may need to open the rear door to clear some 23y.xx paper jams.
4	Tray [x]	Jam, tray [x] [24y.xx]	Pull the indicated tray out, and then remove the jammed paper.
5	Multipurpose feeder	Jam, MP feeder. [250.xx]	Remove all paper from the multipurpose feeder, and then remove the jammed paper.
6	Front door	Jam, front door. [20y.xx]	Open the front door, and then remove the toner cartridge, imaging unit, and jammed paper.

## 200 paper jams

### Jam, front door [20y.xx]

**CAUTION—HOT SURFACE:** The inside of the printer might be hot. To reduce the risk of injury from a hot component, allow the surface to cool before touching it.

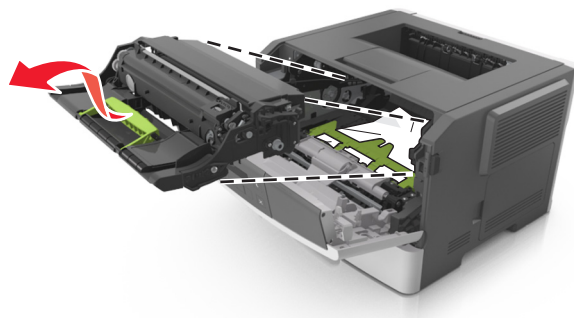
- 1 Press the button on the right side of the printer, and then open the front door.



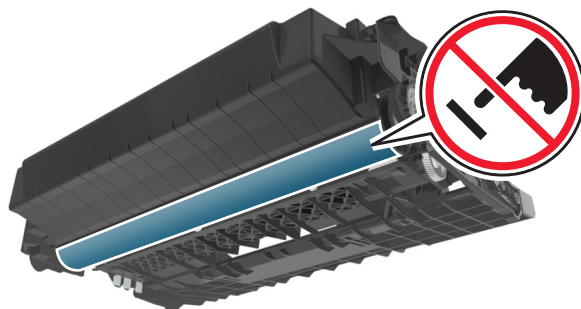
- 
- 2 Pull the toner cartridge out using the handle.



- 
- 
- 3 Lift the green handle, and then pull the imaging unit out of the printer.



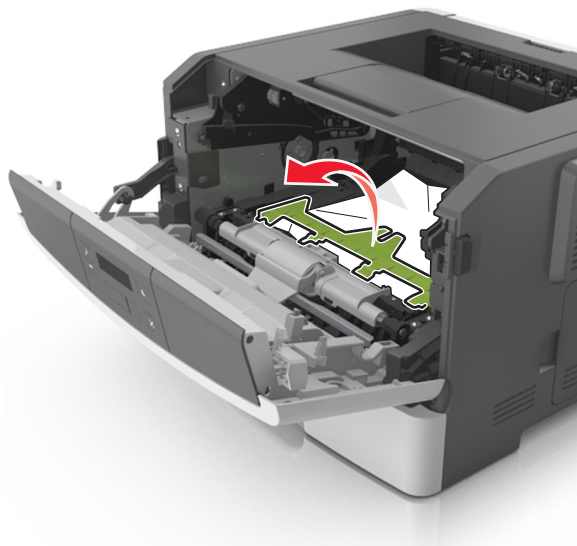
**Warning—Potential Damage:** Do not touch the photoconductor drum. Doing so may affect the print quality of future print jobs.



- 
- 
- 
- 4 Place the imaging unit aside on a flat, smooth surface.

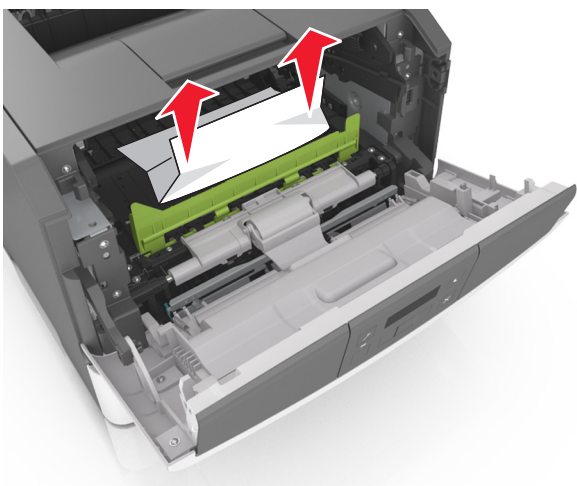
**Warning—Potential Damage:** Do not expose the imaging unit to direct light for more than 10 minutes. Extended exposure to light can cause print quality problems.

- 5 Lift the green flap in front of the printer.

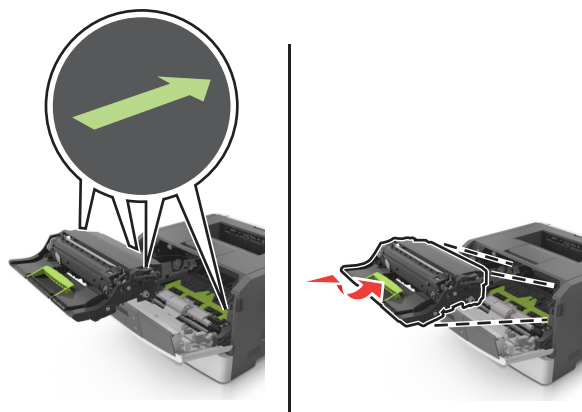


- 6 Firmly grasp the jammed paper on each side, and then gently pull it out.

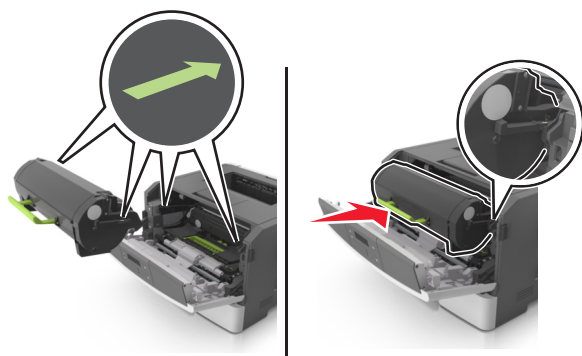
**Note:** Make sure all paper fragments are removed.



- 7 Insert the imaging unit by aligning the arrows on the side rails of the unit with the arrows on the side rails inside the printer, and then insert the imaging unit into the printer.



- 8 Insert the toner cartridge by aligning the side rails of the cartridge with the arrows on the side rails inside the printer, and then insert the cartridge into the printer.



- 9 Close the front door.

- 10 From the printer control panel, press **OK** to clear the message and continue printing.

## 200 paper jam messages

### Notes:

- Some error messages are applicable only to printer models with a polygon LSU (laser scanning unit).
- If the sixth digit character assigned to the serial number of the printer is in the P–Z range, then the printer is installed with a polygon LSU (example: 4514 2ZHH 007CR).

Error code	Description	Action
200.01	Input sensor covered during warm-up sequence.	Go to <a href="#">“Sensor (input) static jam service check” on page 50.</a>
200.02	Input sensor covered too quickly.	Go to <a href="#">“Sensor (input) early/late arriving service check” on page 51.</a>
200.03	Page did not reach input sensor or was late reaching input sensor, but was successfully picked from the source.	Go to <a href="#">“Sensor (input) early/late arriving service check” on page 51.</a>



Error code	Description	Action
200.05	Input sensor covered too long. Source = [x].	Go to <a href="#">“Sensor (input) early/late arriving service check” on page 51.</a>
200.08	Page arrive at input sensor at unexpected time.	Go to <a href="#">“Sensor (input) early/late arriving service check” on page 51.</a>
200.09	Printhead did not receive proper motor feedback to start laser servo.	Go to <a href="#">“Sensor (input) image jam service check” on page 52.</a>
200.10	Printhead motor not locked when media reaches the input sensor.	Go to <a href="#">“Sensor (input) image jam service check” on page 52.</a>
200.11	Printhead motor fell out of lock after page reaches the input sensor.	Go to <a href="#">“Sensor (input) image jam service check” on page 52.</a>
	Mirror motor got locked, and then lost it again before the initial lock timeout.	Go to <a href="#">“Laser scanning unit (LSU) service check” on page 91.</a>
200.12	Printhead was not ready for media.	Go to <a href="#">“Sensor (input) image jam service check” on page 52.</a>
200.13	Media at input sensor is not the next media to be imaged.	Go to <a href="#">“Sensor (input) image jam service check” on page 52.</a>
200.14	Media reached the input sensor before EP was ready.	Go to <a href="#">“Sensor (input) image jam service check” on page 52.</a>
200.15	Input sensor covered too long. Source = [x].	Go to <a href="#">“Sensor (input) early/late arriving service check” on page 51.</a>
200.16	Fuser motor stalled.	Go to <a href="#">“Main drive motor control jam service check” on page 53.</a>
200.21	No response from paper port driver while waiting for the source to deactivate the Input Source Ready flag to indicate it has initiated picking.	Go to <a href="#">“Sensor (input) early/late arriving service check” on page 51.</a>
200.23	Laser servo never started due to potential conflict with the transfer servo.	Go to <a href="#">“Sensor (input) image jam service check” on page 52.</a>
200.24	Measured gap at input sensor too small to meet video delivery requirements. (Not enough time since prior image finished to start new image).	Go to <a href="#">“Sensor (input) image jam service check” on page 52.</a>
200.25	Input sensor covered too long. Source = [x].	Go to <a href="#">“Sensor (input) early/late arriving service check” on page 51.</a>
200.29	Printhead drive control out of range due to an external event beyond what the control is designed to handle.	Go to <a href="#">“Sensor (input) image jam service check” on page 52.</a>
200.30	Invalid printhead NVRAM.	Go to <a href="#">“Sensor (input) image jam service check” on page 52.</a>
200.31	Paper, in the middle of a job, at input sensor before interrupt occurred.	Go to <a href="#">“Sensor (input) early/late arriving service check” on page 51.</a>

Error code	Description	Action
200.32	Detected cover switch bounce.	Go to <a href="#">“Sensor (input) early/late arriving service check” on page 51.</a>
	Printhead lost HSYNCs due to a glitch with the laser safety interlock, for example, bouncy cover switch.	Go to <a href="#">“Laser scanning unit (LSU) service check” on page 91.</a>
200.33	Input sensor covered too quickly.	Go to <a href="#">“Sensor (input) early/late arriving service check” on page 51.</a>
200.38	Interpage servo gap smaller than expected for galvo offset target evaluation.	Go to <a href="#">“Sensor (input) early/late arriving service check” on page 51.</a>
200.42	Rogue sheet at ACM sensor while flushing the paper path prior to declaring tray 1 source empty.	Go to <a href="#">“Sensor (input) early/late arriving service check” on page 51.</a>
200.44	Page from tray 1 did not reach the input sensor (or the manual feed sensor, if present) after multiple pick attempts. Page did make it out of the tray at least as far as the ACM sensor.	Go to <a href="#">“Sensor (input) early/late arriving service check” on page 51.</a>
200.84	Image data did not start on time.	Go to <a href="#">“Sensor (input) image jam service check” on page 52.</a>
200.87	During warm up flush, sheet detected too long over input sensor.	Go to <a href="#">“Sensor (input) early/late arriving service check” on page 51.</a>

### Sensor (input) static jam service check

Action	Yes	No
<p><b>Step 1</b> Check the input sensor area for jammed media fragments.</p> <p>Is the paper path free of partially fed or jammed media?</p>	Go to step 2.	Clear the paper path of any media fragments.
<p><b>Step 2</b> Check the jam access cover if it is blocking the input sensor.</p> <p>Is it blocking the input sensor?</p>	Replace the jam access cover. See <a href="#">“Jam access cover removal” on page 209.</a>	Go to step 3.
<p><b>Step 3</b> Check the input sensor cable for proper connection.</p> <p>Is it properly connected?</p>	Go to step 4.	Reseat the cable.
<p><b>Step 4</b> POR into the Diagnostics menu and perform a sensor test: <b>Diagnostics Menu &gt; Base Sensor Test &gt; Input.</b></p> <p>Does the sensor state on the control panel display change when it is toggled?</p>	Go to step 5.	Replace the input sensor. See <a href="#">“Duplex sensor and input sensor removal” on page 221.</a>

Action	Yes	No
<b>Step 5</b> Does the error remain?	Contact the next level of support.	The problem is solved.

### Sensor (input) early/late arriving service check

Action	Yes	No
<b>Step 1</b> Check the paper source.  Is the paper from the MPF?	Go to step 2.	Go to step 5.
<b>Step 2</b> Check the MPF pick roller and separator pad for damage and contamination.  Are they free of damage and contamination?	Go to step 3.	Replace the MPF pick roller and separator pad. See <a href="#">“MPF pick roller removal” on page 208</a> and <a href="#">“Separator pad removal” on page 216</a> .
<b>Step 3</b> Check the MPF solenoid for proper operation: <b>a</b> Remove the left cover. <b>b</b> Perform a print job from the MPF. <b>c</b> Check if the MPF solenoid moves when doing the feed test.  Does it move when doing the feed test?	Go to step 4.	Replace the MPF solenoid. See <a href="#">“MPF solenoid removal” on page 176</a> .
<b>Step 4</b> Make sure the MPF gearbox spring is properly installed and free of damage. Check the MPF gearbox for wear or damage.  Are they free of wear or damage?	Go to step 5.	Replace the MPF gearbox. See <a href="#">“MPF gearbox removal” on page 179</a> .
<b>Step 5</b> Check the input sensor area for jammed media fragments.  Is the paper path free of partially fed or jammed media?	Go to step 6.	Clear the paper path of any media fragments.
<b>Step 6</b> Check the jam access cover if it is blocking the input sensor.  Is it blocking the input sensor?	Replace the jam access cover. See <a href="#">“Jam access cover removal” on page 209</a> .	Go to step 7.

Action	Yes	No
<b>Step 7</b> Check the input sensor cable for proper connection to the controller board.  Is it properly connected?	Go to step 8.	Reseat the cable.
<b>Step 8</b> Check the input sensor.  Is it free of damage?	Go to step 9.	Replace the input sensor. See <a href="#">“Duplex sensor and input sensor removal” on page 221.</a>
<b>Step 9</b> Does the error remain?	Contact the next level of support.	The problem is solved.

### Sensor (input) image jam service check

Action	Yes	No
<b>Step 1</b> Check the LSU cables for proper connection.  Are they properly connected?	Go to step 2.	Reseat the cables.
<b>Step 2</b> Inspect the LSU cables and connectors.  Are they free of damage?	Go to step 3.	Replace the LSU. See <a href="#">“Laser scanning unit (LSU) removal” on page 244.</a>
<b>Step 3</b> Check the input sensor cable for proper connection.  Is it properly connected?	Go to step 4.	Reseat the cable.
<b>Step 4</b> POR into the Diagnostics menu and perform a feed test: <b>Diagnostics Menu &gt; Input Tray Tests &gt; Feed Tests &gt; Tray 1</b>  Does it pass the test?	Go to step 5.	Replace the LSU. See <a href="#">“Laser scanning unit (LSU) removal” on page 244.</a>
<b>Step 5</b> POR into the Diagnostics menu and perform a sensor test: <b>Diagnostics Menu &gt; Base Sensor Test &gt; Input</b>  Does the sensor state on the control panel display change when it is toggled?	Go to step 6.	Replace the input sensor. See <a href="#">“Duplex sensor and input sensor removal” on page 221.</a>
<b>Step 6</b> Check the controller board for any damage.  Is it free of damage?	Go to step 7.	Replace the controller board. See <a href="#">“Controller board removal” on page 189.</a>

Action	Yes	No
<b>Step 7</b> Does the error remain?	Contact the next level of support.	The problem is solved.

## Main drive motor control jam service check

Action	Yes	No
<b>Step 1</b> a Remove the main drive gearbox. b Check the main drive gearbox cable for proper connection.  Is it properly connected?	Go to step 2.	Reseat the cable.
<b>Step 2</b> a Remove the main drive gearbox. b Check the gears of main drive gearbox for wear or damage.  Are they free of wear or damage?	Go to step 3.	Replace the main drive gearbox. See <a href="#">“Main drive gearbox removal” on page 174.</a>
<b>Step 3</b> Check the main drive motor for proper operation: a Remove the main drive gearbox. <b>Note:</b> Do not disconnect the main drive gearbox cable. b POR into the Diagnostics menu and perform a feed test: <b>Diagnostics menu &gt; Input Tray Tests &gt; Feed Test &gt;</b> Select any input source c Check if the main drive motor rotates when doing the feed test.  Does it rotate when doing the feed test?	Go to step 4.	Replace the main drive gearbox. See <a href="#">“Main drive gearbox removal” on page 174.</a>
<b>Step 4</b> Check the fuser gear for damage or toner contamination.  Is it free of damage and contamination?	Replace the controller board. See <a href="#">“Controller board removal” on page 189.</a>	Replace the fuser. See <a href="#">“Fuser removal” on page 242.</a>

## 201 paper jams

### Jam, standard bin [20y.xx]

- 1 Firmly grasp the jammed paper on each side, and then gently pull it out.

**Note:** Make sure all paper fragments are removed.



2 From the printer control panel, press **OK** to clear the message and continue printing.

## 201 paper jam messages

Error code	Description	Action
201.01	Narrow media sensor is covered during warm up. Input sensor is not covered.	Go to <a href="#">“Sensor (narrow media) jam service check” on page 54.</a>
201.20	Took too long to ramp up auger motor.	Go to <a href="#">“Cartridge gearbox service check” on page 98.</a>
201.21	Stopped detecting pulses from auger motor's encoder system.	Go to <a href="#">“Cartridge gearbox service check” on page 98.</a>
201.22	Auger motor underspeed error.	Go to <a href="#">“Cartridge gearbox service check” on page 98.</a>

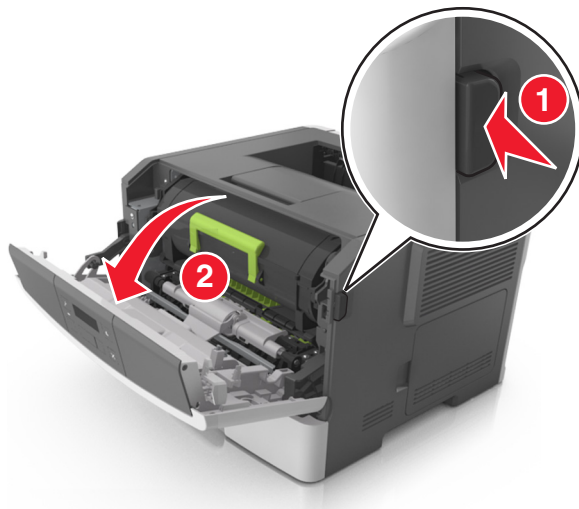
## Sensor (narrow media) jam service check

Action	Yes	No
<p><b>Step 1</b></p> <p>Check the narrow media sensor cable JNRW1 for proper connection.</p> <p>Is it properly connected?</p>	Go to step 2.	Reseat the cable.
<p><b>Step 2</b></p> <p>POR into the Diagnostics menu and perform a sensor test: <b>Diagnostics Menu &gt; Base Sensor Test &gt; Narrow Media</b></p> <p>Does the sensor state on the control panel display change when it is toggled?</p>	Go to step 3.	Replace the narrow media sensor. See <a href="#">“Narrow media/bin full sensor removal” on page 237.</a>
<p><b>Step 3</b></p> <p>Check the redrive rollers for damage.</p> <p>Are they free of damage?</p>	Go to step 4.	Replace the redrive assembly. See <a href="#">“Redrive assembly removal” on page 239.</a>
<p><b>Step 4</b></p> <p>Does the error remain?</p>	Contact the next level of support.	The problem is solved.


## 202 paper jams

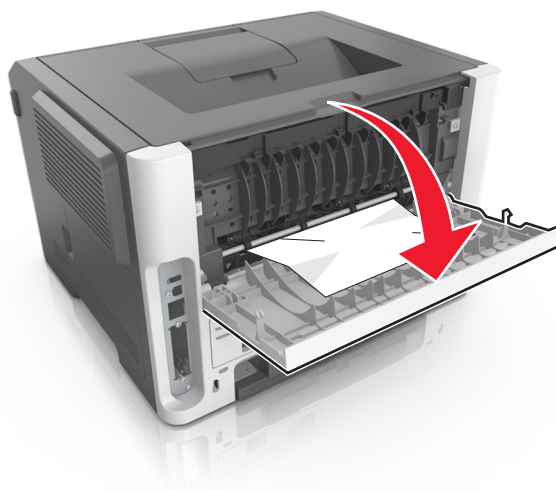
### Jam, rear door [20y.xx]

- 1 Press the button on the right side of the printer, and then open the front door.



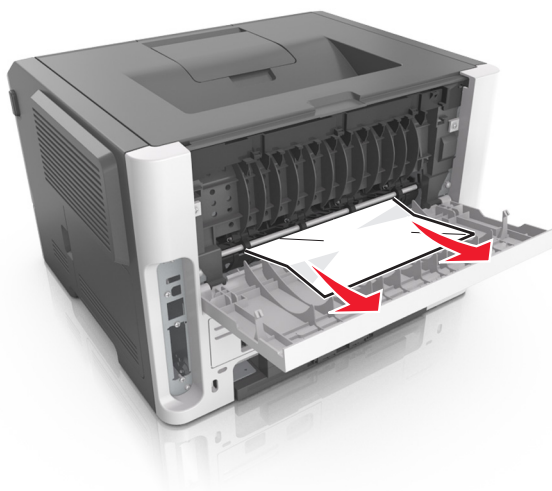
- 2 Gently pull down the rear door.

 **CAUTION—HOT SURFACE:** The inside of the printer might be hot. To reduce the risk of injury from a hot component, allow the surface to cool before touching it.



- 3 Firmly grasp the jammed paper on each side, and then gently pull it out.

**Note:** Make sure all paper fragments are removed.



4 Close the rear and front doors.

5 From the printer control panel, press **OK** to clear the message and continue printing.

## 202 paper jam messages

Error code	Description	Action
202.01	Exit sensor is covered during warm up.	Go to <a href="#">“Sensor (fuser exit) jam service check” on page 57.</a>
202.03	Media did not reach the fuser exit sensor.	Go to <a href="#">“Sensor (fuser exit) jam service check” on page 57.</a>
202.05	Exit sensor covered too long or exit sensor did not clear ahead of a sheet.	Go to <a href="#">“Sensor (fuser exit) jam service check” on page 57.</a>
202.13	Restart attempted after an internal jam without cover open. Close event. Likely that the jam was not actually cleared.	Go to <a href="#">“Sensor (fuser exit) jam service check” on page 57.</a>
202.14	Expected banner sheet ( assumed wide ) not detected by narrow media sensor, possible accordion jam, unsupported narrow banner media, or missing signal.	Go to <a href="#">“Sensor (fuser exit) jam service check” on page 57.</a>
202.16	Page at fuser nip before fuser started ramping toward desired. Indicates code may be receiving more hall interrupts than intended.	Go to <a href="#">“Sensor (fuser exit) jam service check” on page 57.</a>
202.17	Page at fuser nip before fuser reached acceptable operating temperature. Page arrived at fuser earlier than expected, so it was probably staged.	Go to <a href="#">“Sensor (fuser exit) jam service check” on page 57.</a>
202.22	Cartridge Motor - Motor Underspeed Error. Motor made it to closed loop steady state, but then detected speed was below threshold.	Go to <a href="#">“Sensor (fuser exit) jam service check” on page 57.</a>
202.28	Exit sensor bounce issue.	Go to <a href="#">“Sensor (fuser exit) jam service check” on page 57.</a>



Error code	Description	Action
202.32	The sheet is too long to be duplexed. The blow through is enabled.	Go to <a href="#">“Duplex service check” on page 60.</a>
202.36	Long paper or shingled multi feed stopped before sending to duplex.	Go to <a href="#">“Duplex service check” on page 60.</a>
202.43	During warm up flush, media that passed the input sensor failed to reach the exit sensor.	Go to <a href="#">“Sensor (fuser exit) jam service check” on page 57.</a>
202.45	During warm up flush, sheet detected too long over exit sensor.	Go to <a href="#">“Sensor (fuser exit) jam service check” on page 57.</a>

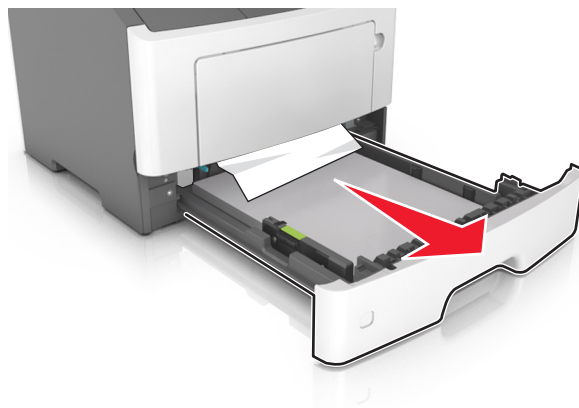
### Sensor (fuser exit) jam service check

Action	Yes	No
<p><b>Step 1</b> Check the input sensor area for jammed media fragments.</p> <p>Is the paper path free of partially fed or jammed media?</p>	Go to step 2.	Clear the paper path of any media fragments.
<p><b>Step 2</b> Check the fuser exit sensor cable JEXIT1 for proper connection.</p> <p>Is it properly connected?</p>	Go to step 3.	Reseat the cable.
<p><b>Step 3</b> POR into the Diagnostics menu and perform a sensor test: <b>Diagnostics Menu &gt; Base Sensor Test &gt; Exit</b></p> <p>Does the sensor state on the control panel display change when it is toggled?</p>	Go to step 4.	Replace the fuser. See <a href="#">“Fuser removal” on page 242.</a>
<p><b>Step 4</b> Check the fuser gears and rollers for damage.</p> <p>Are they free of damage?</p>	Go to step 5.	Replace the fuser. See <a href="#">“Fuser removal” on page 242.</a>
<p><b>Step 5</b> Does the error remain?</p>	Contact the next level of support.	The problem is solved.

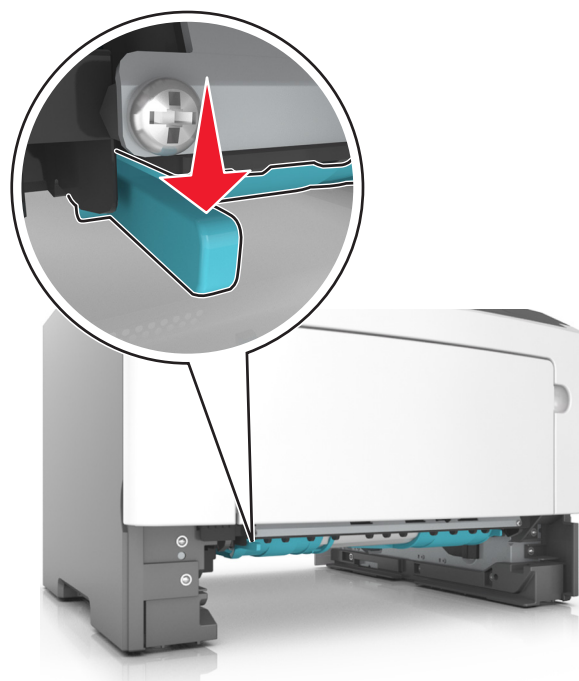
## 23y paper jams

### Jam, pull tray 1. Push down blue flap. [23y.xx]

- 1 Pull out the tray completely.



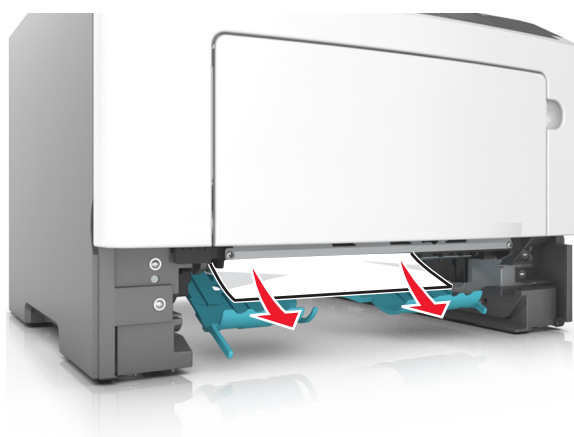
- 2 Locate the blue lever, and then pull it down to release the jam.



**Note:** If the jammed paper is not visible in the duplex area, then open the rear door, and then gently remove the jammed paper. Make sure all paper fragments are removed.

- 3 Firmly grasp the jammed paper on each side, and then gently pull it out.

**Note:** Make sure all paper fragments are removed.



4 Insert the tray.

5 From the printer control panel, press **OK** to clear the message and continue printing.

### 23y paper jam messages

Error code	Description	Action
230.01	Sheet covering internal duplex sensor during warm up.	Go to <a href="#">“Duplex service check” on page 60.</a>
230.02	Paper jam around internal duplex.	Go to <a href="#">“Duplex service check” on page 60.</a>
230.03	Internal duplex sensor never made by leading edge of page.	Go to <a href="#">“Duplex service check” on page 60.</a>
230.04	Page in duplexer ahead of current reversing page never staged.	Go to <a href="#">“Duplex service check” on page 60.</a>
230.05	Internal duplex sensor never broke on the trailing edge of the sheet.	Go to <a href="#">“Duplex service check” on page 60.</a>
230.07	Internal duplex sensor never broke from sheet ahead of page.	Go to <a href="#">“Duplex service check” on page 60.</a>
230.09	Page in duplexer never picked.	Go to <a href="#">“Duplex service check” on page 60.</a>
230.10	Narrow page reversing into duplexer.	Go to <a href="#">“Duplex service check” on page 60.</a>
230.28	Bouncy duplex sensor never made.	Go to <a href="#">“Duplex service check” on page 60.</a>
232.03	Input sensor never detected sheet from internal duplex path.	Go to <a href="#">“Duplex service check” on page 60.</a>
232.10	Feed error picking from the duplexer.	Go to <a href="#">“Duplex service check” on page 60.</a>

## Duplex service check

Action	Yes	No
<p><b>Step 1</b></p> <p><b>a</b> Remove the rear cover. See <a href="#">“Rear door and cover removal” on page 236.</a></p> <p><b>b</b> Check the redrive rollers for wear or damage.</p> <p>Are they free of wear or damage?</p>	Go to step 2.	Replace the redrive assembly. See <a href="#">“Redrive assembly removal” on page 239.</a>
<p><b>Step 2</b></p> <p><b>a</b> Remove the left cover. See <a href="#">“Left cover removal” on page 173.</a></p> <p><b>b</b> POR into the Diagnostics menu and perform a duplex feed test: <b>Diagnostics Menu &gt; Duplex Tests &gt; Duplex Feed 1</b></p> <p><b>c</b> Check the reverse solenoid for proper operation.</p> <p>Does it function properly?</p>	Go to step 3.	Replace the reverse solenoid. See <a href="#">“Reverse solenoid removal” on page 182.</a>
<p><b>Step 3</b></p> <p><b>a</b> Remove the input tray.</p> <p><b>b</b> From under the printer, check the duplex gear assembly and duplex link for wear and damage.</p> <p>Are the they free of wear and damage?</p>	Go to step 4.	Replace the duplex gear assembly. See <a href="#">“Duplex gear assembly removal” on page 186.</a>
<p><b>Step 4</b></p> <p>From under the printer, check the duplex, belt, and roller for wear and damage.</p> <p>Are they free of wear and damage?</p>	Go to step 5.	Replace the duplex. See <a href="#">“Duplex removal” on page 220.</a>
<p><b>Step 5</b></p> <p><b>a</b> Remove the input tray.</p> <p><b>b</b> POR into the Diagnostics menu and perform a duplex sensor test: <b>Diagnostics Menu &gt; Duplex Tests &gt; Sensor Test</b></p> <p><b>c</b> Lower the duplex jam door, and toggle the duplex sensor.</p> <p>Does the sensor state on the control panel display change when it is toggled?</p>	Go to step 6.	Replace the duplex sensor. See <a href="#">“Duplex sensor and input sensor removal” on page 221.</a>
<p><b>Step 6</b></p> <p>Does the error remain?</p>	Contact the next level of support.	The problem is solved.

## 241 paper jams

### [x]-page jam, open tray 1. [241.xx]

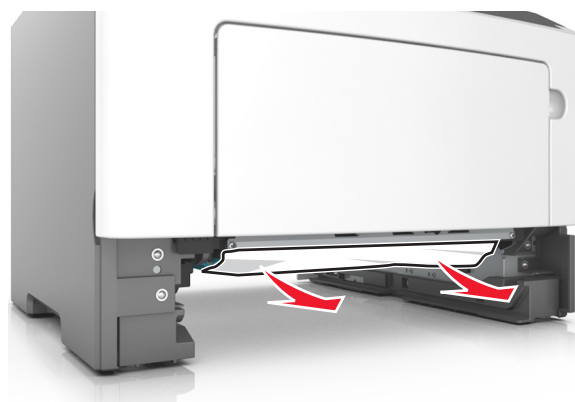
- 1 Pull the tray completely out of the printer.

**Note:** The message on the printer display indicates the tray where the jammed paper is located.



**2** Firmly grasp the jammed paper on each side, and then gently pull it out.

**Note:** Make sure all paper fragments are removed.



**3** Insert the tray.

**4** From the printer control panel, select **Next** > **OK** > **Clear the jam**, press **OK** > **OK**.

## 241 paper jam messages

Error code	Description	Action
241.01	Paper over tray 1 pass through sensor on warmup.	Go to <a href="#">“Tray 1 jam service check” on page 63.</a>
241.02	Sensor (input) early arriving jam.	Go to <a href="#">“Tray 1 jam service check” on page 63.</a>
241.03	Tray 1 pass through sensor never became covered when feeding a sheet from an option below.	Go to <a href="#">“Tray 1 jam service check” on page 63.</a>
241.06	Failed to feed from Tray 1. Exhausted all pick retries. Paper present sensing indicates media is in the tray.	Go to <a href="#">“Tray 1 jam service check” on page 63.</a>
241.14	The media is late reaching the sensor (input) within the specified time from tray 1.	Go to <a href="#">“Tray 1 jam service check” on page 63.</a>

Error code	Description	Action
241.15	Media tray 1, tray pulled jam.	Go to <a href="#">“Tray 1 jam service check” on page 63.</a>
241.16	The engine timed out waiting for the tray 1 to report 'ready' before the 1st pick attempt.	Go to <a href="#">“Tray 1 jam service check” on page 63.</a>
241.17	Page was not properly picked from tray 1. Have not exhausted all pick retry attempts as there are sheets committed to the paper path from below.	Go to <a href="#">“Tray 1 jam service check” on page 63.</a>
241.20	Took too long to ramp up media feeder motor in tray 1.	Go to <a href="#">“Tray 1 jam service check” on page 63.</a>
241.21	Media feeder motor stall in tray 1.	Go to <a href="#">“Tray 1 jam service check” on page 63.</a>
241.22	Media feeder motor pick motor underspeed in tray 1.	Go to <a href="#">“Tray 1 jam service check” on page 63.</a>
241.24	Media feeder motor stalled on the last pick attempt in tray 1.	Go to <a href="#">“Tray 1 jam service check” on page 63.</a>
241.32	Media tray not ready.	Go to <a href="#">“Tray 1 jam service check” on page 63.</a>
241.33	The media tray was pulled during the media pick process.	Go to <a href="#">“Tray 1 jam service check” on page 63.</a>
241.41	Media feeder motor stall in tray 1.	Go to <a href="#">“Tray 1 jam service check” on page 63.</a>
241.42	Media feeder motor pick motor under-speed in tray 1.	Go to <a href="#">“Tray 1 jam service check” on page 63.</a>
241.43	Media feeder motor stalled on the last pick attempt in tray 1.	Go to <a href="#">“Tray 1 jam service check” on page 63.</a>
241.44	Motor 2 (Separator/Passthrough) motor stalled.	Go to <a href="#">“Tray 1 jam service check” on page 63.</a>
241.45	Motor 2 (Separator/Passthrough) motor PWM overflow error (underspeed). Motor underspeed (max PWM and motor underspeed, typical accordion jam).	Go to <a href="#">“Tray 1 jam service check” on page 63.</a>
241.46	Motor 2 (Separator/Passthrough) motor ramp (end ramp - did not reach speed, typical pack feed paper jam).	Go to <a href="#">“Tray 1 jam service check” on page 63.</a>
241.47	Motor 3 motor stalled.	Go to <a href="#">“Tray 1 jam service check” on page 63.</a>
241.48	Motor 3 motor PWM overflow error (underspeed). Motor underspeed (max PWM and motor underspeed, typical accordion jam).	Go to <a href="#">“Tray 1 jam service check” on page 63.</a>
241.49	Motor 3 motor ramp (end ramp - did not reach speed, typical pack feed paper jam).	Go to <a href="#">“Tray 1 jam service check” on page 63.</a>

## Tray 1 jam service check

Action	Yes	No
<p><b>Step 1</b> Check the pick tires.</p> <p>Are they free of wear or damage?</p>	Go to step 2.	Replace the pick tires.
<p><b>Step 2</b> Check the tray guides and wear strips.</p> <p>Are they free of wear or damage?</p>	Go to step 3.	Replace the tray insert.
<p><b>Step 3</b> Check the front input guide.</p> <p>Is it free of damage?</p>	Go to step 4.	Replace the front input guide. See <a href="#">“Front input guide removal” on page 214.</a>
<p><b>Step 4</b></p> <p><b>a</b> POR into the Diagnostics menu and perform a feed test: <b>Diagnostics Menu &gt; Input Tray Tests &gt; Feed Tests &gt; Tray 1 &gt; Continuous</b></p> <p><b>b</b> Cancel the test after five pages.</p> <p>Does the printer successfully feed the five pages into the output bin?</p>	Go to step 7.	Go to step 5.
<p><b>Step 5</b> Observe the location of the jammed paper.</p> <p>Are the first page fed to the output bin, the second page jammed in the rear door, and the third page jammed in the input tray?</p>	Go to step 6.	Replace the trailing edge sensor. See <a href="#">“Trailing edge sensor removal” on page 226.</a>
<p><b>Step 6</b> Check the ACM assembly.</p> <p>Is it free of wear or damage?</p>	Go to step 7.	Replace the ACM assembly. See <a href="#">“ACM assembly removal” on page 231.</a>
<p><b>Step 7</b> Check the MPF gearbox.</p> <p>Is it free of wear or damage?</p>	Go to step 8.	Replace the MPF gearbox. See <a href="#">“MPF gearbox removal” on page 179.</a>
<p><b>Step 8</b> Check the main drive gearbox.</p> <p>Is it free of wear or damage?</p>	Go to step 9.	Replace the main drive gearbox. See <a href="#">“Main drive gearbox removal” on page 174.</a>
<p><b>Step 9</b> Does the error remain?</p>	Contact the next level of support.	The problem is solved.

## 242 paper jams

### [x]-page jam, open tray [2]. [242.xx]

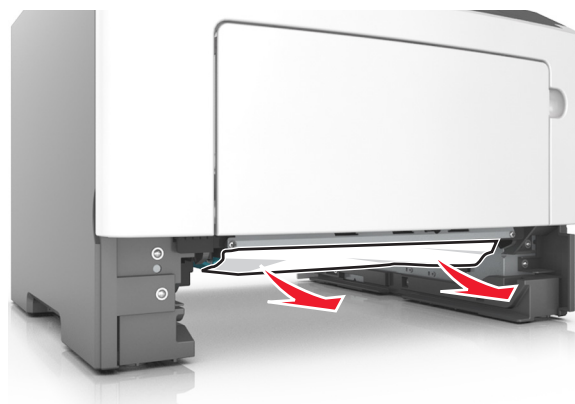
- 1 Pull the tray completely out of the printer.

**Note:** The message on the printer display indicates the tray where the jammed paper is located.



- 2 Firmly grasp the jammed paper on each side, and then gently pull it out.

**Note:** Make sure all paper fragments are removed.



- 3 Insert the tray.

- 4 From the printer control panel, select **Next** > **OK** > **Clear the jam, press OK** > **OK**.

## 242 paper jam messages

Error code	Description	Action
242.01	Paper over tray 2 pass thru sensor on warmup.	Go to <a href="#">“Option tray jam service check” on page 66.</a>
242.02	Input sensor detected late feed during a pick retry from tray 2.	Go to <a href="#">“Option tray jam service check” on page 66.</a>
242.03	Tray 2 pass thru sensor never became covered when feeding a sheet from an option below.	Go to <a href="#">“Option tray jam service check” on page 66.</a>



Error code	Description	Action
242.06	Failed to feed from Tray 2. Paper present sensing indicates media is in the tray.	Go to <a href="#">“Option tray jam service check” on page 66.</a>
242.09	Tray 2 pick motor lost encoder.	Go to <a href="#">“Option tray jam service check” on page 66.</a>
242.11	Autocomp Pick/Lift Motor—Encoder Never Detected in tray 2.	Go to <a href="#">“Option tray jam service check” on page 66.</a>
242.12	Motor ramp up error in tray 2.	Go to <a href="#">“Option tray jam service check” on page 66.</a>
242.14	Sheets flushed from paper path either due to feed error or cartridge error.	Go to <a href="#">“Option tray jam service check” on page 66.</a>
242.15	One or more trays located above the source tray 2 has been pulled.	Go to <a href="#">“Option tray jam service check” on page 66.</a>
242.16	The engine timed out waiting for the tray 2 to report ready before the 1st pick attempt.	Go to <a href="#">“Option tray jam service check” on page 66.</a>
242.17	Page was not properly picked from tray 2. Have not exhausted all pick retry attempts as there are sheets committed to the paper path from below.	Go to <a href="#">“Option tray jam service check” on page 66.</a>
242.19	Tray 2 fail to feed error. Detected while trying to pick a sheet, and that leading edge was not detected by tray sensor.	Go to <a href="#">“Option tray jam service check” on page 66.</a>
242.20	Took too long to ramp up dc feed motor in tray 2.	Go to <a href="#">“Option tray jam service check” on page 66.</a>
242.21	Pick motor stall in tray 2.	Go to <a href="#">“Option tray jam service check” on page 66.</a>
242.22	Tray 2 pick motor underspeed.	Go to <a href="#">“Option tray jam service check” on page 66.</a>
242.24	DC Feed autocompensator stalled on the last pick attempt in tray 2.	Go to <a href="#">“Option tray jam service check” on page 66.</a>
242.32	Tray not ready.	Go to <a href="#">“Option tray jam service check” on page 66.</a>
242.33	Pick received but detected a tray pulled.	Go to <a href="#">“Option tray jam service check” on page 66.</a>
242.41	Motor 1 (Pick/Lift) Elevator motor stalled.	Go to <a href="#">“Option tray jam service check” on page 66.</a>
242.42	Motor 1 (Pick/Lift) Elevator motor PWM overflow error (underspeed). Motor underspeed (max PWM and motor underspeed, typical accordion jam).	Go to <a href="#">“Option tray jam service check” on page 66.</a>
242.43	Motor 1 (Pick/Lift) motor ramp (end ramp - did not reach speed, typical pack feed paper jam).	Go to <a href="#">“Option tray jam service check” on page 66.</a>
242.44	Motor 2 (Separator/Passthru) motor stalled.	Go to <a href="#">“Option tray jam service check” on page 66.</a>

Error code	Description	Action
242.45	Motor 2 (Separator/Passthru) motor PWM overflow error (underspeed). Motor underspeed (max PWM and motor underspeed, typical accordion jam).	Go to <a href="#">“Option tray jam service check” on page 66.</a>
242.46	Motor 2 (Separator/Passthru) motor ramp (end ramp - did not reach speed, typical pack feed paper jam).	Go to <a href="#">“Option tray jam service check” on page 66.</a>
242.47	Motor 3 motor stalled.	Go to <a href="#">“Option tray jam service check” on page 66.</a>
242.48	Motor 3 motor PWM overflow error (underspeed). Motor underspeed (max PWM and motor underspeed, typical accordion jam).	Go to <a href="#">“Option tray jam service check” on page 66.</a>
242.49	Motor 3 motor ramp (end ramp - did not reach speed, typical pack feed paper jam).	Go to <a href="#">“Option tray jam service check” on page 66.</a>

### Option tray jam service check

Action	Yes	No
<p><b>Step 1</b> Restart the printer.</p> <p>Does it fail to complete the POST sequence and display a 242.01 error?</p>	Replace the option tray.	Go to step 2.
<p><b>Step 2</b>  <b>a</b> POR into the Diagnostics menu and perform a feed test:  <b>Diagnostics Menu &gt; Input Tray Tests &gt; Feed Test &gt; Select an option tray &gt; Continuous</b>  <b>b</b> Cancel the test after five pages.</p> <p>Does the printer successfully feed the five pages into the output bin?</p>	The problem is solved.	Go to step 3.
<p><b>Step 3</b> Does the printer display a 242.06 error?</p>	Replace the ACM assembly. See <a href="#">“ACM assembly removal” on page 249.</a>	Go to step 4.
<p><b>Step 4</b> Check the pick roller assembly.</p> <p>Is it free of wear or damage?</p>	Go to step 5.	Replace the pick roller assembly. See <a href="#">“Pick roller removal” on page 246.</a>

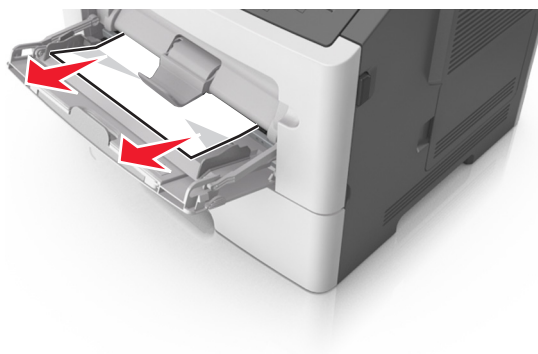
Action	Yes	No
<p><b>Step 5</b> Check the separator roll assembly.  Is it free of wear or damage?</p>	Go to step 6.	Replace the separator roll assembly. See <a href="#">“Separator roll assembly removal” on page 247.</a>
<p><b>Step 6</b> Check the tray guides, lift plate, and lift plate gears.  Are they free of wear or damage?</p>	Go to step 7.	Replace the tray insert.
<p><b>Step 7</b> Check the ACM assembly.  Is it free of wear or damage?</p>	Go to step 8.	Replace the ACM assembly. See <a href="#">“ACM assembly removal” on page 249.</a>
<p><b>Step 8</b> POR into the Diagnostics menu and perform a feed test: <b>Diagnostics Menu &gt; Input Tray Tests &gt; Feed Test &gt;</b> Select an option tray  Does the pick/lift motor gearbox pass the test?</p>	Go to step 9.	Replace the option tray.
<p><b>Step 9</b> Does the error remain?</p>	Contact the next level of support.	The problem is solved.

## 25y paper jams

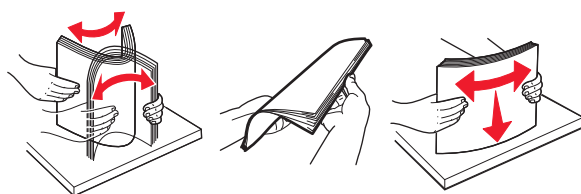
### Jam, MP feeder [250.xx]

- 1 From the multipurpose feeder, firmly grasp the jammed paper on each side, and then gently pull it out.

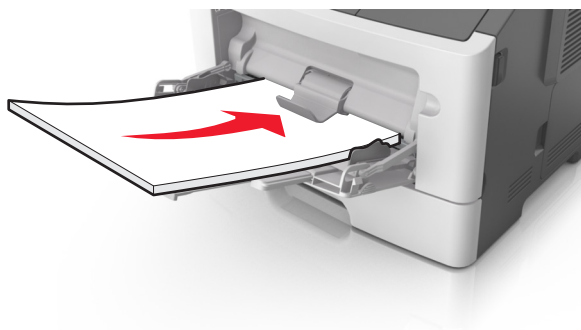
**Note:** Make sure all paper fragments are removed.



- 2 Flex the sheets of paper back and forth to loosen them, and then fan them. Do not fold or crease the paper. Straighten the edges on a level surface.



- 3 Reload paper into the multipurpose feeder.



**Note:** Make sure the paper guide lightly rests against the edge of the paper.

- 4 From the printer control panel, press **OK** to clear the message and continue printing.

## 250 paper jam messages

Error code	Description	Action
250.06	Input sensor did not detect sheet picked from MPF. No other sheets should be in the path.	Go to <a href="#">“MPF service check” on page 68</a> .

## MPF service check

Action	Yes	No
<p><b>Step 1</b></p> <p>Check the springs, links, and tray guides on the MPF assembly for damage.</p> <p>Are they free of damage?</p>	Go to step 2.	Replace the MPF assembly. See <a href="#">“MPF assembly removal” on page 205</a> .
<p><b>Step 2</b></p> <p><b>a</b> Make sure the MPF sensor cable is properly connected to the controller board.</p> <p><b>b</b> POR into the Diagnostics menu and perform a sensor test:  <b>Diagnostics Menu &gt; Input Tray Tests &gt; Sensor Tests &gt; Multi-Purpose Feeder</b></p> <p>Does the sensor state on the control panel display change when it is toggled?</p>	Go to step 3.	Replace the front input guide. See <a href="#">“Front input guide removal” on page 214</a> .

Action	Yes	No
<p><b>Step 3</b></p> <p>Make sure the MPF pick roller and separator pad are free of debris. Check both for wear or damage.</p> <p>Are they free of damage?</p>	Go to step 4.	Replace the MPF pick roller and separator pad. See <a href="#">“MPF pick roller removal” on page 208</a> and <a href="#">“Separator pad removal” on page 216</a> .
<p><b>Step 4</b></p> <p><b>a</b> Remove the left cover.</p> <p><b>b</b> POR into the Diagnostics menu and perform a feed test: <b>Diagnostics Menu &gt; Input Tray Tests &gt; Feed Tests &gt; Multi-Purpose Feeder</b></p> <p><b>c</b> Check the MPF solenoid for proper operation.</p> <p>Does it function properly?</p>	Go to step 5.	Replace the MPF solenoid. See <a href="#">“MPF solenoid removal” on page 176</a> .
<p><b>Step 5</b></p> <p><b>a</b> Make sure the MPF gearbox is free of debris.</p> <p><b>b</b> Check the gears and spring of the MPF gearbox for wear or damage.</p> <p>Are they free of damage?</p>	Go to step 6.	Replace the MPF gearbox. See <a href="#">“MPF gearbox removal” on page 179</a> .
<p><b>Step 6</b></p> <p>Does the error remain?</p>	Contact the next level of support.	The problem is solved.


## Understanding the printer messages

### Bin full. Remove paper.

Remove the paper stack from the standard bin.








### Cannot collate large document [37]

Try one or more of the following:

- From the printer control panel, press  to print the portion of the job already stored and begin collating the rest of the print job.
- Cancel the current print job.

## Cannot defrag flash memory [37]

Try one or more of the following:

- From the printer control panel, press  to stop the defragmentation and continue printing.
- Delete fonts, macros, and other data in the printer memory. From the printer control panel, navigate to:  
 > **Settings** >  > **Print Settings** >  > **Utilities Menu** >  > **Format Flash** >  > **Yes** > 
- Install additional printer memory.

## Cartridge, imaging unit mismatch [41.xy]

- 1 Check if both the toner cartridge and imaging unit are *MICR* (Magnetic Ink Character Recognition) or non-MICR supplies.


**Note:** For a list of supported supplies, see the “Ordering supplies” section of the *User's Guide* or visit [www.lexmark.com](http://www.lexmark.com).

- 2 Change the toner cartridge or imaging unit so that both are MICR or non-MICR supplies.


### Notes:

- Use a MICR toner cartridge and imaging unit for printing checks and other similar documents.
- Use a non-MICR toner cartridge and imaging unit for regular print jobs.

## Cartridge low [88.xy]


You may need to order a toner cartridge. If necessary, press  on the printer control panel to clear the message and continue printing.

## Cartridge nearly low [88.xy]

If necessary, press  on the printer control panel to clear the message and continue printing.


## Cartridge very low, [x] estimated pages remain [88.xy]

You may need to replace a toner cartridge very soon. For more information, see the “Replacing supplies” section of the *User's Guide*.

If necessary, press  on the printer control panel to clear the message and continue printing.


## Change [paper source] to [custom string]. Load [orientation].

Try one or more of the following:

- Load the correct size and type of paper in the tray, and then press  on the control panel.  
**Note:** Make sure the paper size and type settings are specified in the Paper menu on the control panel.
- Select **Use current [paper source]** on the control panel to clear the message and continue printing using the current size and type of paper in the tray.
- Cancel the print job.


## Change [paper source] to [custom type name]. Load [orientation].

Try one or more of the following:

- Load the correct size and type of paper in the tray, and then press  on the control panel.  
**Note:** Make sure the paper size and type settings are specified in the Paper menu on the control panel.
- Select **Use current [paper source]** on the control panel to clear the message and continue printing using the current size and type of paper in the tray.
- Cancel the print job.


## Change [paper source] to [paper size]. Load [orientation].

Try one or more of the following:

- Load the correct size and type of paper in the tray, and then press  on the control panel.  
**Note:** Make sure the paper size and type settings are specified in the Paper menu on the control panel.
- Select **Use current [paper source]** on the control panel to clear the message and continue printing using the current size and type of paper in the tray.
- Cancel the print job.

## Change [paper source] to [paper type] [paper size]. Load [orientation].

Try one or more of the following:


- Load the correct size and type of paper in the tray, and then press  on the control panel.  
**Note:** Make sure the paper size and type settings are specified in the Paper menu on the control panel.
- Select **Use current [paper source]** on the control panel to clear the message and continue printing using the current size and type of paper in the tray.
- Cancel the print job.

## Close front door

Close the front door of the printer.

## Complex page may misprint [39]

Try one or more of the following:


- From the printer control panel, press  to clear the message and continue printing.
- Reduce the number and size of fonts, the number and complexity of images, and the number of pages in the print job.
- Cancel the print job.
- Install additional printer memory.

## Credentials invalid. Print job canceled.

Enter the correct credentials or contact your system support person.


## Defective flash memory [51]

Try one or more of the following:

- Replace the defective flash memory card.
- From the printer control panel, press  to ignore the message and continue printing.
- Cancel the current print job.

## Flash memory full [52]

Try one or more of the following:

- From the printer control panel, press  to clear the message and continue printing.
- Delete fonts, macros, and other data stored in the flash memory. From the printer control panel, navigate to:


 > **Settings** >  > **Print Settings** >  > **Utilities Menu** >  > **Format Flash** >  > **Yes** > 

- Use a larger-capacity flash memory card.

**Note:** Downloaded fonts and macros that are not stored in the flash memory are deleted when the printer is powered off or restarted.

## Flash memory unformatted [53]

Try one or more of the following:

- From the printer control panel, press  to stop the defragmentation and continue printing.
- Format the flash memory device.



**Note:** If the error message remains, then the flash memory device may be defective and need to be replaced.

## Imaging unit low [84.xy]

You may need to order an imaging unit. If necessary, press  on the printer control panel to clear the message and continue printing.

## Imaging unit nearly low [84.xy]

If necessary, press  on the printer control panel to clear the message and continue printing.

## Imaging unit very low, [x] estimated pages remain [84.xy]

You may need to replace the imaging unit very soon. For more information, see the “Replacing supplies” section of the *User’s Guide*.


If necessary, press  on the printer control panel to clear the message and continue printing.

## Insert tray [x]

Insert the indicated tray into the printer.

## Load [paper source] with [custom string] [orientation]

Try one or more of the following:


- Load the indicated tray or feeder with the correct size and type of paper.
- From the printer control panel, press  to clear the message and continue printing.

**Note:** If the printer finds a tray that has the correct paper type and size, then it feeds from that tray. If the printer cannot find a tray that has the correct size and type of paper, then it prints from the default paper source.

- Cancel the current job.

## Load [paper source] with [custom type name] [orientation]

Try one or more of the following:


- Load the tray or feeder with the correct size and type of paper.
- From the printer control panel, press  to clear the message and continue printing.

**Note:** If the printer finds a tray that has the correct size and type of paper, then it feeds from that tray. If the printer cannot find a tray that has the correct size and type of paper, then it prints from the default paper source.

- Cancel the current job.

## Load [paper source] with [paper size] [orientation]

Try one or more of the following:


- Load the tray or feeder with the correct size of paper.
- From the printer control panel, press  to clear the message and continue printing.

**Note:** If the printer finds a tray that has the correct paper size, then it feeds from that tray. If the printer cannot find a tray that has the correct size of paper, then it prints from the default paper source.

- Cancel the current job.

## Load [paper source] with [paper type] [paper size] [orientation]

Try one or more of the following:


- Load the tray or feeder with the correct size and type of paper.
- From the printer control panel, press  to clear the message and continue printing.

**Note:** If the printer finds a tray that has the correct size and type of paper, then it feeds from that tray. If the printer cannot find a tray that has the correct size and type of paper, then it prints from the default paper source.

- Cancel the current job.

## Load MP feeder with [custom type name] [orientation]

Try one or more of the following:


- Load the feeder with the correct size and type of paper.
- From the printer control panel, press  to clear the message and continue printing.

**Note:** If no paper is loaded in the feeder, then the printer manually overrides the request, and then prints from an automatically selected tray.

- Cancel the current job.

## Load MP feeder with [custom string] [orientation]

Try one or more of the following:


- Load the feeder with the correct size and type of paper.
- From the printer control panel, press  to clear the message and continue printing.

**Note:** If no paper is loaded in the feeder, then the printer manually overrides the request, and then prints from an automatically selected tray.

- Cancel the current job.

## Load MP feeder with [paper size] [orientation]

Try one or more of the following:


- Load the feeder with the correct size of paper.
- From the printer control panel, press  to clear the message and continue printing.

**Note:** If no paper is loaded in the feeder, then the printer manually overrides the request, and then prints from an automatically selected tray.

- Cancel the current job.

## Load MP feeder with [paper type] [paper size] [orientation]

Try one or more of the following:


- Load the feeder with the correct size and type of paper.
- From the printer control panel, press  to clear the message and continue printing.

**Note:** If no paper is loaded in the feeder, then the printer manually overrides the request, and then prints from an automatically selected tray.

- Cancel the current job.


## Memory full [38]

Try one or more of the following:

- From the printer control panel, press  to clear the message.
- Decrease the resolution setting.
- Install additional printer memory.

## Memory low, no Resource Save [35]

Try one or more of the following:

- From the printer control panel, press  to disable Resource Save, clear the message, and continue printing.
- Install additional printer memory.

## Non-Lexmark [supply type], see User's Guide [33.xy]



**Note:** The supply type can either be a toner cartridge or imaging unit.

The printer has detected a non-Lexmark supply or part installed in the printer.

Your Lexmark printer is designed to function best with genuine Lexmark supplies and parts. Use of third-party supplies or parts may affect the performance, reliability, or life of the printer and its imaging components.

All life indicators are designed to function with Lexmark supplies and parts, and may deliver unpredictable results if third-party supplies or parts are used. Imaging component usage beyond the intended life may damage your Lexmark printer or associated components.

**Warning—Potential Damage:** Use of third-party supplies or parts can affect warranty coverage. Damage caused by the use of third-party supplies or parts are not covered by the warranty.


To accept any and all of these risks and to proceed with the use of non-genuine supplies or parts in your printer, press  and  on the printer control panel simultaneously for 15 seconds to clear the message and continue printing.

If you do not wish to accept these risks, then remove the third-party supply or part from your printer, and then install a genuine Lexmark supply or part.

**Note:** For the list of supported supplies, see the “Ordering supplies” section of the *User's Guide* or visit <http://support.lexmark.com>.


## Network error, port [x] [54]

Try one or more of the following:

- From the printer control panel, press  to clear the message and continue printing.
- Unplug the router, wait for 30 seconds, and then plug it back again.
- Turn off the printer, wait for about 10 seconds, and then turn the printer back on.
- Update the network firmware in the printer or the print server. For more information, visit the Lexmark Web site at <http://support.lexmark.com>.


## Network error, standard port [54]

Try one or more of the following:

- From the printer control panel, press  to clear the message and continue printing.
- Unplug the router, wait for 30 seconds, and then plug it back again.
- Turn off the printer, wait for about 10 seconds, and then turn the printer back on.
- Update the network firmware in the printer or the print server. For more information, visit the Lexmark Web site at <http://support.lexmark.com>.


## Paper too short [34]

Try one or more of the following:

- Load the correct size of paper in the tray.
- From the printer control panel, press  to clear the message and print using a different tray.
- Check the tray length and width guides and make sure the paper is loaded properly in the tray.
- Make sure the correct paper size and type are specified in Print Properties or in the Print dialog.
- Make sure the paper size and type settings are specified in the Paper menu on the printer control panel.
- Make sure the paper size is correctly set. For example, if the MP Feeder Size is set to Universal, then make sure the paper is large enough for the data being printed.
- Cancel the print job.

## Parallel port disabled [56]

Try one or more of the following:

- From the printer control panel, press  to clear the message and continue printing.  
**Note:** The printer discards any data received through the parallel port.
- From the printer control panel, set Parallel Buffer to Auto.


## Print quota exceeded. Print job canceled.

Contact your system support person.

## Print quota exceeded. Print job incomplete.

Contact your system support person.


## Printer restart. Check last job.

Press  on the printer control panel to clear the message and continue printing.

For more information, visit <http://support.lexmark.com> or contact customer support.

## Rear USB port disabled [56]

Try one or more of the following:

- From the printer control panel, press  to clear the message and continue printing.  
**Note:** The printer discards any data received through the USB port.
- From the printer control panel, set USB Buffer to Auto.

## Reinstall missing or unresponsive cartridge [31.xy]

Try one or more of the following:

- Check if the toner cartridge is missing. If missing, install the toner cartridge.  
For information on installing the cartridge, see the “Replacing supplies” section of the *User’s Guide*.
- If the toner cartridge is installed, then remove the unresponsive toner cartridge, and then reinstall it.  
**Note:** If the message appears after reinstalling the supply, then the cartridge is defective. Replace the toner cartridge.

## Reinstall missing or unresponsive imaging unit [31.xy]

Try one or more of the following:

- Check if the imaging unit is missing. If missing, install the imaging unit.  
For information on installing the imaging unit, see the “Replacing supplies” section of the *User’s Guide*.
- If the imaging unit is installed, then remove the unresponsive imaging unit, and then reinstall it.

**Note:** If the message appears after reinstalling the supply, then the imaging unit is defective. Replace the imaging unit.

## Replace cartridge, 0 estimated pages remain [88.xy]

Replace the toner cartridge to clear the message and continue printing. For more information, see the instruction sheet that came with the supply or see the “Replacing supplies” section of the *User’s Guide*.

**Note:** If you do not have a replacement cartridge, then see the “Ordering supplies” section of the *User’s Guide* or visit [www.lexmark.com](http://www.lexmark.com).

## Replace cartridge, printer region mismatch [42.xy]

Install a toner cartridge that matches the region number of the printer. x indicates the value of the printer region. y indicates the value of the cartridge region. x and y can have the following values:

### Printer and toner cartridge regions

Region number	Region
0	Global
1	United States, Canada
2	European Economic Area (EEA), Switzerland
3	Asia Pacific, Australia, New Zealand
4	Latin America
5	Africa, Middle East, rest of Europe
9	Invalid

### Notes:

- The x and y values represent **.xy** in the code that appears on the printer control panel.
- The x and y values must match for printing to continue.

## Replace imaging unit, 0 estimated pages remain [84.xy]

Replace the imaging unit to clear the message and continue printing. For more information, see the instruction sheet that came with the supply or see the “Replacing supplies” section of the *User’s Guide*.

**Note:** If you do not have a replacement imaging unit, then see the “Ordering supplies” section of the *User’s Guide* or visit [www.lexmark.com](http://www.lexmark.com).

## Replace unsupported cartridge [32.xy]

Remove the toner cartridge, and then install a supported one to clear the message and continue printing. For more information, see the instruction sheet that came with the supply or see the “Replacing supplies” section of the *User’s Guide*.

**Note:** If you do not have a replacement cartridge, then see the “Ordering supplies” section of the *User’s Guide* or visit [www.lexmark.com](http://www.lexmark.com).

## Replace unsupported imaging unit [32.xy]

Remove the imaging unit, and then install a supported one to clear the message and continue printing. For more information, see the instruction sheet that came with the supply or see the “Replacing supplies” section of the *User’s Guide*.

**Note:** If you do not have a replacement imaging unit, then see the “Ordering supplies” section of the *User’s Guide* or visit [www.lexmark.com](http://www.lexmark.com).

## Too many trays. Remove some. [58]

- 1 Turn off the printer.
- 2 Unplug the power cord from the electrical outlet.
- 3 Remove the extra trays.
- 4 Connect the power cord to the electrical outlet.
- 5 Turn the printer back on.

## User attendance messages (0-99.99)

### User attendance messages (0-99.99)

Error code	Description	Action
31.21	Missing or unresponsive imaging unit	Go to <a href="#">“Unresponsive imaging unit service check” on page 96.</a>
31.22	Excessive CTLS noise.	Go to <a href="#">“Unresponsive imaging unit service check” on page 96.</a>
31.23	Abrupt change detected in CTLS reading.	Go to <a href="#">“Unresponsive imaging unit service check” on page 96.</a>
31.25	Missing or unresponsive imaging unit	Go to <a href="#">“Unresponsive imaging unit service check” on page 96.</a>
31.40	Missing or unresponsive toner cartridge	Go to <a href="#">“Unresponsive toner cartridge service check” on page 82.</a>
31.41	Missing or unresponsive toner cartridge	Go to <a href="#">“Unresponsive toner cartridge service check” on page 82.</a>

Error code	Description	Action
31.42	Missing or unresponsive toner cartridge	Go to <a href="#">“Unresponsive toner cartridge service check” on page 82.</a>
31.43	Missing or unresponsive toner cartridge	Go to <a href="#">“Unresponsive toner cartridge service check” on page 82.</a>
31.44	Missing or unresponsive toner cartridge	Go to <a href="#">“Unresponsive toner cartridge service check” on page 82.</a>
31.45	Missing or unresponsive toner cartridge	Go to <a href="#">“Unresponsive toner cartridge service check” on page 82.</a>
31.46	Missing or unresponsive toner cartridge	Go to <a href="#">“Unresponsive toner cartridge service check” on page 82.</a>
31.60	Missing or unresponsive imaging unit	Go to <a href="#">“Unresponsive imaging unit service check” on page 96.</a>
31.61	Missing or unresponsive imaging unit	Go to <a href="#">“Unresponsive imaging unit service check” on page 96.</a>
31.62	Missing or unresponsive imaging unit	Go to <a href="#">“Unresponsive imaging unit service check” on page 96.</a>
31.63	Missing or unresponsive imaging unit	Go to <a href="#">“Unresponsive imaging unit service check” on page 96.</a>
31.64	Missing or unresponsive imaging unit	Go to <a href="#">“Unresponsive imaging unit service check” on page 96.</a>
31.65	Missing or unresponsive imaging unit	Go to <a href="#">“Unresponsive imaging unit service check” on page 96.</a>
31.66	Missing or unresponsive imaging unit	Go to <a href="#">“Unresponsive imaging unit service check” on page 96.</a>
32.01	Unsupported cartridge	Go to <a href="#">“Unsupported toner cartridge service check” on page 82.</a>
32.01	Unsupported imaging unit	Go to <a href="#">“Unsupported imaging unit service check” on page 83.</a>
32.05	Unsupported cartridge	Go to <a href="#">“Unsupported toner cartridge service check” on page 82.</a>
32.05	Unsupported imaging unit	Go to <a href="#">“Unsupported imaging unit service check” on page 83.</a>
32.08	Unsupported cartridge	Go to <a href="#">“Unsupported toner cartridge service check” on page 82.</a>
32.10	Unsupported cartridge	Go to <a href="#">“Unsupported toner cartridge service check” on page 82.</a>
32.11	Unsupported imaging unit	Go to <a href="#">“Unsupported imaging unit service check” on page 83.</a>
32.13	Unsupported cartridge	Go to <a href="#">“Unsupported toner cartridge service check” on page 82.</a>
32.14	Unsupported imaging unit	Go to <a href="#">“Unsupported imaging unit service check” on page 83.</a>



Error code	Description	Action
32.16	Unsupported cartridge	Go to <a href="#">“Unsupported toner cartridge service check” on page 82.</a>
32.17	Unsupported imaging unit	Go to <a href="#">“Unsupported imaging unit service check” on page 83.</a>
32.19	Unsupported cartridge	Go to <a href="#">“Unsupported toner cartridge service check” on page 82.</a>
32.20	Unsupported imaging unit	Go to <a href="#">“Unsupported imaging unit service check” on page 83.</a>
32.22	Unsupported cartridge	Go to <a href="#">“Unsupported toner cartridge service check” on page 82.</a>
32.23	Unsupported imaging unit	Go to <a href="#">“Unsupported imaging unit service check” on page 83.</a>
32.25	Unsupported cartridge	Go to <a href="#">“Unsupported toner cartridge service check” on page 82.</a>
32.26	Unsupported imaging unit	Go to <a href="#">“Unsupported imaging unit service check” on page 83.</a>
32.28	Unsupported cartridge	Go to <a href="#">“Unsupported toner cartridge service check” on page 82.</a>
32.29	Unsupported imaging unit	Go to <a href="#">“Unsupported imaging unit service check” on page 83.</a>
32.31	Unsupported cartridge	Go to <a href="#">“Unsupported toner cartridge service check” on page 82.</a>
32.32	Unsupported imaging unit	Go to <a href="#">“Unsupported imaging unit service check” on page 83.</a>
32.34	Unsupported cartridge	Go to <a href="#">“Unsupported toner cartridge service check” on page 82.</a>
32.35	Unsupported imaging unit	Go to <a href="#">“Unsupported imaging unit service check” on page 83.</a>
32.37	Unsupported cartridge	Go to <a href="#">“Unsupported toner cartridge service check” on page 82.</a>
32.38	Unsupported imaging unit	Go to <a href="#">“Unsupported imaging unit service check” on page 83.</a>
33.01	Unsupported cartridge	Go to <a href="#">“Unsupported toner cartridge service check” on page 82.</a>
33.02	Unsupported imaging unit	Go to <a href="#">“Unsupported imaging unit service check” on page 83.</a>
41.01	Imaging unit/cartridge mismatch	Go to <a href="#">“Supplies mismatch service check” on page 86.</a>
41.10	Cartridge/imaging unit mismatch	Go to <a href="#">“Supplies mismatch service check” on page 86.</a>
42	Printer/cartridge region mismatch	Go to <a href="#">“Printer/cartridge mismatch service check” on page 83.</a>

Error code	Description	Action
84	Imaging unit low	Go to <a href="#">“Imaging unit low service check” on page 88.</a>
88	Toner cartridge low	Go to <a href="#">“Toner cartridge low service check” on page 88.</a>

## Unresponsive toner cartridge service check

Action	Yes	No
<p><b>Step 1</b></p> <p><b>a</b> Check if the toner cartridge is a supported and genuine Lexmark supply. If not, then replace it.</p> <p><b>b</b> Make sure that the toner cartridge is properly installed.</p> <p><b>c</b> Check the toner cartridge, toner cartridge button, and cartridge plunger for damage. Replace if necessary.</p> <p><b>d</b> Make sure that the latest firmware is installed.</p> <p>Does the problem remain?</p>	Go to step 2.	The problem is solved.
<p><b>Step 2</b></p> <p>Check the cable JARW1 for proper connection to the controller board.</p> <p>Is it properly connected?</p>	Go to step 3.	Reseat the cable.
<p><b>Step 3</b></p> <p>Check the toner cartridge smart chip contact for damaged pins.</p> <p>Is it free of damage?</p>	Replace the controller board. See <a href="#">“Controller board removal” on page 189.</a>	Replace the toner cartridge smart chip contact. See <a href="#">“Toner cartridge smart chip contact removal” on page 191.</a>

## Unsupported toner cartridge service check

Action	Yes	No
<p><b>Step 1</b></p> <p><b>a</b> Check if the toner cartridge is a supported and genuine Lexmark supply. If not, then replace it.</p> <p><b>b</b> Make sure that the toner cartridge is properly installed.</p> <p><b>c</b> Check the toner cartridge, toner cartridge button, and cartridge plunger for damage. Replace if necessary.</p> <p><b>d</b> Make sure that the latest firmware is installed.</p> <p>Does the problem remain?</p>	Go to step 2.	The problem is solved.

Action	Yes	No
<p><b>Step 2</b></p> <p>If this error occurred after replacing the controller board, then restore the printer configuration. See <a href="#">“Restoring the printer configuration after replacing the controller board” on page 151.</a></p> <p>Does the problem remain?</p>	Contact the next level of support.	The problem is solved.

## Printer/cartridge mismatch service check

Action	Yes	No
<p><b>Step 1</b></p> <p><b>a</b> Make sure that the printer and toner cartridge belong to the same country or region. If the printer comes from a different country or region, then contact the next level of support to reset the printer.</p> <p><b>b</b> Check if the toner cartridge is a supported and genuine Lexmark supply. If not, then replace it.</p> <p><b>c</b> Make sure that the latest firmware is installed.</p> <p>Does the problem remain?</p>	Go to step 2.	The problem is solved.
<p><b>Step 2</b></p> <p>If this error occurred after replacing the controller board, then restore the printer configuration. See <a href="#">“Restoring the printer configuration after replacing the controller board” on page 151.</a></p> <p>Does the problem remain?</p>	Contact the next level of support.	The problem is solved.

## Unsupported imaging unit service check

Action	Yes	No
<p><b>Step 1</b></p> <p><b>a</b> Check if the imaging unit is a supported and genuine Lexmark supply. If not, then replace it.</p> <p><b>b</b> Make sure that the imaging unit is properly installed.</p> <p><b>c</b> Make sure that the latest firmware is installed.</p> <p>Does the problem remain?</p>	Go to step 2.	The problem is solved.

Action	Yes	No
<p><b>Step 2</b></p> <p>If this error occurred after replacing the controller board, then restore the printer configuration. See <a href="#">“Restoring the printer configuration after replacing the controller board” on page 151</a>.</p> <p>Does the problem remain?</p>	Contact the next level of support.	The problem is solved.

## Imaging unit smart chip contact service check

Action	Yes	No
<p><b>Step 1</b></p> <p><b>a</b> Check if the imaging unit is a supported and genuine Lexmark supply. If not, then replace it.</p> <p><b>b</b> Make sure that the imaging unit is properly installed.</p> <p>Does the problem remain?</p>	Go to step 2.	The problem is solved.
<p><b>Step 2</b></p> <p>Check the cable JARW2 for proper connection to the controller board.</p> <p>Is it properly connected?</p>	Go to step 3.	Reseat the cables.
<p><b>Step 3</b></p> <p>Check the imaging unit smart chip contact for damaged pins.</p> <p>Is it free of damage?</p>	Replace the controller board. See <a href="#">“Controller board removal” on page 189</a> .	Replace the printer.

## Toner smart chip compatibility service check

Action	Yes	No
<p><b>Step 1</b></p> <p>Check if the toner cartridge is a supported and genuine Lexmark supply. If not, then replace it.</p> <p>Does the error remain?</p>	Go to step 2.	The problem is solved.
<p><b>Step 2</b></p> <p>Update the firmware.</p> <p><b>Note:</b> Contact the next level of support for the correct firmware level.</p> <p>Does the error remain?</p>	Contact the next level of support.	The problem is solved.

## Imaging chip compatibility service check

Action	Yes	No
<p><b>Step 1</b> Check if the imaging unit is a supported and genuine Lexmark supply. If not, then replace it.</p> <p>Does the error remain?</p>	Go to step 2.	The problem is solved.
<p><b>Step 2</b> Update the firmware.</p> <p><b>Note:</b> Contact the next level of support for the correct firmware level.</p> <p>Does the error remain?</p>	Contact the next level of support.	The problem is solved.

## Media size mismatch service check

Action	Yes	No
<p><b>Step 1</b></p> <p><b>a</b> Make sure the media size setting matches the paper in the tray.</p> <p><b>b</b> Restore the engine settings to their defaults: <b>Diagnostics Menu &gt; Printer Setup &gt; Defaults</b></p> <p><b>c</b> Restore the EP setup settings to their defaults: <b>Diagnostics Menu &gt; EP Setup &gt; Defaults</b></p> <p>Does the problem remain?</p>	Go to step 2.	The problem is solved.
<p><b>Step 2</b> Check the input tray for damage.</p> <p>Is it free of damage?</p>	Go to step 3.	Replace the input tray.
<p><b>Step 3</b></p> <p><b>a</b> Make sure the trailing edge sensor is free of debris.</p> <p><b>b</b> Check it for damage.</p> <p>Is it free of damage?</p>	Go to step 4.	Replace the trailing edge sensor. See <a href="#">“Trailing edge sensor removal” on page 226.</a>
<p><b>Step 4</b></p> <p><b>a</b> Make sure the input sensor is free of debris.</p> <p><b>b</b> POR into the Diagnostics menu and perform a sensor test: <b>Diagnostics Menu &gt; Base Sensor Test &gt; Input</b></p> <p>Does the sensor state on the control panel display change when it is toggled?</p>	Go to step 5.	Replace the input sensor. See <a href="#">“Duplex sensor and input sensor removal” on page 221.</a>

Action	Yes	No
<p><b>Step 5</b></p> <p>POR into the Diagnostics menu and perform a sensor test:  <b>Diagnostics Menu &gt; Base Sensor Test &gt; Narrow Media</b></p> <p>Does the sensor state on the control panel display change when it is toggled?</p>	Go to step 6.	Replace the narrow media/bin full sensor. See <a href="#">“Narrow media/bin full sensor removal” on page 237.</a>
<p><b>Step 6</b></p> <p><b>a</b> Remove the main drive gearbox.  <b>b</b> Check the gears for wear or damage.  <b>c</b> Check the main drive motor for rotation.</p> <p>Are the gears free of wear or damage and does the main drive motor rotate?</p>	Go to step 7.	Replace the main drive gearbox. See <a href="#">“Main drive gearbox removal” on page 174.</a>
<p><b>Step 7</b></p> <p>Replace the controller board.</p> <p>Does the error remain?</p>	Problem is solved.	Contact the next level of support.

## Supplies mismatch service check

Action	Yes	No
<p><b>Step 1</b></p> <p><b>a</b> Check if the toner cartridge and imaging unit are supported and genuine Lexmark supplies. If not, then replace the supplies.  <b>b</b> Make sure that the supplies are compatible.  <b>Note:</b> Do not install a MICR cartridge with a non-MICR imaging unit or vice versa.  <b>c</b> Make sure that the latest firmware is installed.</p> <p>Does the problem remain?</p>	Go to step 2.	The problem is solved.
<p><b>Step 2</b></p> <p>If this error occurred after replacing the controller board, then restore the printer configuration. See <a href="#">“Restoring the printer configuration after replacing the controller board” on page 151.</a></p> <p>Does the problem remain?</p>	Contact the next level of support.	The problem is solved.

## Insufficient memory service check

Action	Yes	No
<p><b>Step 1</b> Disable the Resource save feature: <b>Settings &gt; Print Settings &gt; Setup Menu &gt; Resource Save &gt; Off</b></p> <p>Does the problem remain?</p>	Go to step 2.	The problem is solved.
<p><b>Step 2</b> Check the memory card for proper installation.</p> <p>Is it properly installed?</p>	Go to step 3.	Reseat the memory card.
<p><b>Step 3</b>  <ul style="list-style-type: none"> <li>a Print the Menu settings page: <b>Settings &gt; Reports &gt; Menu Settings Page</b></li> <li>b POR into the Configuration menu and reset the printer's settings to factory default: <b>Configuration Menu &gt; Factory Defaults &gt; Restore Base</b></li> <li>c Remove the memory card.</li> <li>d Restart the printer.</li> </ul> </p> <p>Does the error remain?</p>	Replace the controller board. See <a href="#">"Controller board removal" on page 189</a> .	Replace the memory card.

## Flash full service check

Action	Yes	No
<p><b>Step 1</b> Format the flash memory. Navigate to <b>Settings &gt; Print Settings &gt; Utilities</b>, then select <b>Format Flash</b>.</p> <p>Does the error remain?</p>	Go to step 2.	The problem is solved.
<p><b>Step 2</b> Remove the installed memory, and then POR the machine.</p> <p>Does the error remain?</p>	Go to step 3.	Replace the memory card.
<p><b>Step 3</b> Replace the controller board. See <a href="#">"Controller board removal" on page 189</a>.</p> <p>Does the error remain?</p>	Contact the next level of support.	The problem is solved.

## Imaging unit low service check

Action	Yes	No
<p><b>Step 1</b> Replace the imaging unit.</p> <p>Does the problem remain?</p>	Go to step 2.	The problem is solved.
<p><b>Step 2</b></p> <p><b>a</b> Make sure the imaging unit smart chip contact cable is properly connected to the controller board.</p> <p><b>b</b> Make sure the contacts are free of debris.</p> <p>Does the problem remain?</p>	Go to step 3.	The problem is solved.
<p><b>Step 3</b> Check the contacts for damaged pins.</p> <p>Are they free of damage?</p>	Contact the next level of support.	Replace the printer.

## Toner cartridge low service check

Action	Yes	No
<p><b>Step 1</b> Replace the toner cartridge.</p> <p>Does the problem remain?</p>	Go to step 2.	The problem is solved.
<p><b>Step 2</b></p> <p><b>a</b> Make sure the toner cartridge smart chip contact cable JARW1 is properly connected to the controller board.</p> <p><b>b</b> Make sure the contacts are free of debris.</p> <p>Does the problem remain?</p>	Go to step 3.	The problem is solved.
<p><b>Step 3</b> Check the contacts for damaged pins.</p> <p>Are they free of damage?</p>	Contact the next level of support.	Replace the toner cartridge smart chip contact. See <a href="#">“Toner cartridge smart chip contact removal” on page 191.</a>



# Printer hardware errors

## 111 errors

### 111 error messages

#### Notes:

- Some error messages are applicable only to printer models with a polygon LSU (laser scanning unit).
- If the sixth digit character assigned to the serial number of the printer is in the P–Z range, then the printer is installed with a polygon LSU (example: 4514 2ZHH 007CR).

Error code	Description	Action
111.00	Pel clock check failed.	Go to <a href="#">“Laser scanning unit (LSU) service check” on page 91.</a>
111.01	Downlevel ASIC detected.	
111.20	Mirror motor lock is asserted before the motor is turned on. <b>Note:</b> This error is applicable only to printer models installed with a polygon LSU.	
111.30	Failed to identify the printhead. <b>Note:</b> This error is applicable only to printer models installed with a polygon LSU.	
111.31	Printhead never delivered HSYNCs.	
111.32	Printhead lost HSYNCs.	
111.33	Printhead lost HSYNCs during servo. <b>Note:</b> This error is applicable only to printer models installed with a polygon LSU.	

Error code	Description	Action
111.34	Mirror motor lost lock. <b>Note:</b> This is applicable only to printer models installed with a polygon LSU.	Go to <a href="#">“Laser scanning unit (LSU) service check” on page 91.</a>
111.35	Mirror motor was never locked first. <b>Note:</b> This error is applicable only to printer models installed with a polygon LSU.	
111.36	Mirror motor lock was never stabilized. <b>Note:</b> This error is applicable only to printer models installed with a polygon LSU.	
111.37	Page reached input sensor but the mirror motor was not locked. <b>Note:</b> This error is applicable only to printer models installed with a polygon LSU.	
111.38	Page reached input sensor but the printhead startup was not completed. <b>Note:</b> This error is applicable only to printer models installed with a polygon LSU.	
111.40	Wrong printhead installed.	Go to <a href="#">“Laser scanning unit (LSU) service check” on page 91.</a>
111.50	Open-loop printhead error, open-loop sweep state.	
111.51	Open-loop printhead error, open-loop sweep state.	
111.52	Open-loop printhead error, check prelim amp state.	
111.53	Open-loop printhead error, enable amp Kp state.	
111.54	Closed-loop printhead error, amp Kp failed to converge.	
111.55	Closed-loop printhead error while waiting for amp Kp to converge.	
111.56	Closed-loop printhead error, amp Ki failed to converge.	
111.57	Closed-loop printhead error while waiting for amp Ki to converge.	
111.58	Closed-loop printhead error, load scan regs state.	
111.59	Closed-loop printhead error, forward and reverse capture times differ by too much.	

Error code	Description	Action
111.60	Closed-loop printhead sweep error, check sweep accuracy state.	Go to <a href="#">“Laser scanning unit (LSU) service check” on page 91.</a>
111.61	Printhead drive control out of range due to an external event beyond what the control is designed to handle.	
111.62	Closed-loop printhead error, off-resonant PI effort state.	
111.63	Timed out on POR sweep.	
111.64	Attempted to exceed open loop drive limits.	
111.65		
111.66	Failed alignment of printhead.	
111.67	Attempted to exceed open loop drive limits.	
111.68	Too many fake HSYNCs while aligning printhead.	
111.69	Attempted to exceed open loop drive limits.	

### Laser scanning unit (LSU) service check

Action	Yes	No
<p><b>Step 1</b></p> <p>Make sure that the LSU and controller board are compatible.</p> <ul style="list-style-type: none"> <li>Check the serial number of the printer to determine whether the LSU is galvo or polygon. The LSU is galvo if the sixth digit character assigned is in the 0–9 or B–N range (example: 4514 20HH 007CR). It is polygon if the sixth digit character assigned is in the P–Z range (example: 4514 2ZHH 007CR).</li> </ul> <p><b>Note:</b> Galvo and polygon LSU parts are not interchangeable.</p> <ul style="list-style-type: none"> <li>Check the color of the controller board. For galvo LSU, the color of the compatible controller board is green. For polygon LSU, the color is blue.</li> </ul> <p>Are the LSU and controller board compatible?</p>	Go to step 3.	Go to step 2.
<p><b>Step 2</b></p> <p>Replace the LSU or controller board with a compatible one.</p> <p><b>Installation note:</b> Mechanical and electronic LSU adjustments are required to complete the installation of the LSU. See <a href="#">“Printhead assembly adjustments” on page 170.</a></p> <p>Does the problem remain?</p>	Go to step 3.	The problem is solved.

Action	Yes	No
<p><b>Step 3</b> Reseat the cables and connector between the LSU and controller board.</p> <p>Does the problem remain?</p>	Go to step 4.	The problem is solved.
<p><b>Step 4</b> Check the cables for damages, and replace if necessary.</p> <p>Does the problem remain?</p>	Go to step 5.	The problem is solved.
<p><b>Step 5</b> Check the LSU for proper installation.</p> <p><b>a</b> POR into the Diagnostics menu, and then perform a feed test:  <b>Diagnostics Menu &gt; Input Tray Test &gt; Feed Test</b> &gt; select a tray</p> <p><b>b</b> Check the display to determine whether the test is successful.</p> <p><b>c</b> If the test fails, then perform the service check to resolve the error code shown.</p> <p>Does the problem remain?</p>	Go to step 6.	The problem is solved.
<p><b>Step 6</b> Check the LSU for damages, and replace if necessary.</p> <p><b>Installation note:</b> Mechanical and electronic LSU adjustments are required to complete the installation of the LSU. See <a href="#">“Printhead assembly adjustments” on page 170.</a></p> <p>Does the problem remain?</p>	Go to step 7.	The problem is solved.
<p><b>Step 7</b> Check the LSU and controller board connector for damaged or bent pins. Replace the part with damaged pins.</p> <p>Does the problem remain?</p>	Go to step 8.	The problem is solved.
<p><b>Step 8</b> Replace the controller board.</p> <p>Does the problem remain?</p>	Contact the next level of support.	The problem is solved.

## 121 errors

### 121 error messages

Error code	Description	Action	
121.07	Fuser has been on for more than allowed after a gap blowout, and the temperature is still too cold.	Go to <a href="#">“Fuser service check” on page 93.</a>	
121.08	Fuser was under temp when page was in fuser.		
121.20	Fuser undertemp during steady state control. Can occur in printing or standby modes.		
121.22	Fuser did not warm enough to start line voltage detection.		
121.23	Fuser took too long to heat to line detection temp.		
121.24	Fuser never reached detection temperature.		
121.25	After line voltage detection, control did not roll over to steady state control in time.		
121.26	Failed to reach temperature during warm up.		
121.28	Failed to reach EP warm up temperature in time.		
121.29	Fuser failed to reach pre-heat temperature for motor start during warm up.		
121.30	Fuser failed to reach printing temperature by the time a page reached the fuser.		Go to <a href="#">“Fuser service check” on page 93.</a>
121.31	Fuser is too hot. Global temperature check.		
121.32	Open fuser main thermistor.		
121.33	Open fuser edge thermistor.		
121.34	Open fuser backup roll thermistor.		
121.35	Attempting to POR after receiving a 121.34.		
121.36	Fuser did not heat to allow compression jog.		
121.37	Fuser heated faster than allowed during line voltage detection.		

### Fuser service check

Action	Yes	No
<p><b>Step 1</b></p> <p><b>a</b> Restore the engine settings to their defaults:  <b>Diagnostics Menu &gt; Printer Setup &gt; Defaults</b></p> <p><b>b</b> Restore the EP setup settings to their defaults:  <b>Diagnostics Menu &gt; EP Setup &gt; Defaults</b></p> <p>Does the problem remain?</p>	Go to step 2.	The problem is solved.

Action	Yes	No
<p><b>Step 2</b></p> <ul style="list-style-type: none"> <li>• Check the fuser cables JTHERM1 and JEXIT for proper connection to the controller board.</li> <li>• Check the cable PCN5 for proper connection to the power supply.</li> </ul> <p>Are they properly connected?</p>	Go to step 3.	Reseat the cables.
<p><b>Step 3</b></p> <p>Are the cables JTHERM1, JEXIT and PCN5 free of damage?</p>	Go to step 4.	Replace the fuser. See <a href="#">“Fuser removal” on page 242.</a>
<p><b>Step 4</b></p> <p><b>a</b> Turn off the printer.</p> <p><b>b</b> Remove the rear door and cover.</p> <p><b>c</b> Disconnect the fuser cable connected to PCN5 of the power supply.</p> <p><b>d</b> Check for approximate correct resistance on the fuser cable:</p> <ul style="list-style-type: none"> <li>• 220V fuser—43 ohms</li> <li>• 110V fuser—10 ohms</li> <li>• 100V fuser—8 ohms</li> </ul> <p>Is the resistance equal to any of the above values?</p>	Perform an LVPS service check. See <a href="#">“LVPS service check” on page 95.</a>	Replace the fuser. See <a href="#">“Fuser removal” on page 242.</a>
<p><b>Step 5</b></p> <p>Check the fuser rollers, belts and gears for damage and debris.</p> <p>Are they free of damage and debris?</p>	Perform a cooling fan service check and LVPS service check. See <a href="#">“Cooling fan service check” on page 114</a> and <a href="#">“LVPS service check” on page 95.</a>	Replace the fuser. See <a href="#">“Fuser removal” on page 242.</a>

## 126 errors

### 126 error messages

Error code	Description	Action
126.01	Line frequency outside operating range of device.	Go to <a href="#">“LVPS service check” on page 95.</a>
126.02	No line frequency detected.	

## LVPS service check

Action	Yes	No
<p><b>Step 1</b></p> <p><b>a</b> Check the power cord for continuity. If necessary, replace.</p> <p><b>b</b> Make sure the nominal voltage source is within specification. See <a href="#">“Electrical specifications” on page 275</a>.</p> <p>Does the problem remain?</p>	Go to step 2.	The problem is solved.
<p><b>Step 2</b></p> <p>Check if the power supply cable is properly connected to the controller board.</p> <p>Is it properly connected?</p>	Go to step 3.	Reseat the cables.
<p><b>Step 3</b></p> <p><b>a</b> Turn off the printer.</p> <p><b>b</b> Remove the power cord.</p> <p><b>c</b> Measure the resistance between terminals A and D of the power supply socket.</p> <p>Is the resistance approximately 30 ohms?</p>	Contact your next level of support.	Replace the power supply. See <a href="#">“Power supply removal” on page 218</a> .

## 132 errors

### 132 error messages

Error code	Description	Action
132.01	TDS baseline too low.	Go to <a href="#">“Toner density sensor service check” on page 96</a> .
132.02	TDS baseline too high.	
132.03	TDS baseline excessive range.	
132.16	TDS calibration at maximum.	
132.17	TDS calibration too low.	
132.18	TDS calibration too close to baseline.	
132.32	PC drum measurement too high.	
132.33	PC drum measurement too different from calibration.	
132.34	PC drum measurement too close to baseline.	

## Toner density sensor service check

Action	Yes	No
<p><b>Step 1</b></p> <p>Remove the transfer roll, and check for loose toner blocking the toner density sensor.</p> <p>Is it free of loose toner?</p>	Go to step 2.	Clean the sensor.
<p><b>Step 2</b></p> <p>Check the toner density sensor for proper operation:</p> <p><b>a</b> Lower the ACM assembly.</p> <p><b>b</b> Move the toner density sensor wiper from left to right.</p> <p>Does it move freely?</p>	Go to step 3.	Reinstall the wiper properly. If it still cannot move freely, replace the toner density sensor. See <a href="#">“Toner density sensor removal” on page 223.</a>
<p><b>Step 3</b></p> <p>Check the toner density sensor cable for proper connection to the controller board.</p> <p>Is it properly connected?</p>	Go to step 4.	Reseat the cable.
<p><b>Step 4</b></p> <p>Check the toner density sensor cable for damage and pinch points.</p> <p>Is it free of damage?</p>	Replace the controller board. See <a href="#">“Controller board removal” on page 189.</a>	Replace the toner density sensor. See <a href="#">“Toner density sensor removal” on page 223.</a>

## 133 errors

### 133 error messages

Error code	Description	Action
133.05	CTLS reading above maximum expected value.	Go to <a href="#">“Unresponsive imaging unit service check” on page 96.</a>
133.06	CTLS reading below minimum expected value.	
133.08	Excessive CTLS noise.	

## Unresponsive imaging unit service check

Action	Yes	No
<p><b>Step 1</b></p> <p><b>a</b> Check if the imaging unit is a supported and genuine Lexmark supply. If not, then replace it.</p> <p><b>b</b> Make sure that the imaging unit is properly installed.</p> <p><b>c</b> Make sure that the latest firmware is installed.</p> <p>Does the problem remain?</p>	Go to step 2.	The problem is solved.



Action	Yes	No
<b>Step 2</b> Clean the CTLS.  Does the problem remain?	Go to step 3.	The problem is solved.
<b>Step 3</b> <ul style="list-style-type: none"> <li>• Check the cable PCN3 for proper connection to the power supply.</li> <li>• Check the CTLS cable for proper connection to the controller board.</li> </ul> Are they properly connected?	Go to step 4.	Reseat the cables.
<b>Step 4</b> Check the cable PCN3 and CTLS cable for damage.  Are they free of damage?	Replace the controller board. See <a href="#">“Controller board removal” on page 189.</a>	Contact the next level of support.

## 140 errors

### 140 error messages

Error code	Description	Action
140.10	Transport motor halls not detected.	Go to <a href="#">“Main drive gearbox service check” on page 97.</a>
140.20	Transport motor took too long to stop.	
140.30	Transport motor unable to lock (before motor ID).	
140.40	Transport motor overspeed detected.	
140.60	Transport motor unable to lock (after motor ID).	
140.70	Transport motor out of lock detected.	
140.80	Transport motor excessive PWM or temperature.	

### Main drive gearbox service check

Action	Yes	No
<b>Step 1</b> Remove the main drive gearbox and check for any debris.  Is it free of debris?	Go to step 2.	Remove the debris.
<b>Step 2</b> Check the gears of main drive gearbox for wear or damage.  Are they free of wear or damage?	Go to step 3.	Replace the main drive gearbox. See <a href="#">“Main drive gearbox removal” on page 174.</a>

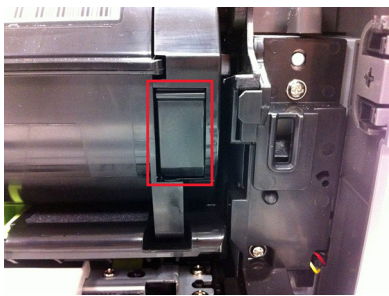
Action	Yes	No
<p><b>Step 3</b></p> <p>Check the main drive motor for proper operation:</p> <p><b>a</b> Remove the main drive gearbox.</p> <p><b>Note:</b> Do not disconnect the main drive gearbox cable.</p> <p><b>b</b> POR into the Diagnostics menu and perform a feed test:  <b>Diagnostics Menu &gt; Input Tray Tests &gt; Feed Test &gt;</b>  Select any input source</p> <p><b>c</b> Check if the main drive motor rotates when doing the feed test.</p> <p>Does it rotate when doing the feed test?</p>	<p>Replace the controller board. See <a href="#">“Controller board removal” on page 189.</a></p>	<p>Replace the main drive gearbox. See <a href="#">“Main drive gearbox removal” on page 174.</a></p>

## 155 errors

### 155 error messages

Error code	Description	Action
155.00	No encoder received from auger motor.	Go to <a href="#">“Cartridge gearbox service check” on page 98.</a>

### Cartridge gearbox service check

Action	Yes	No
<p><b>Step 1</b></p> <p>Is the button aligned with the front of the toner cartridge?</p> 	Go to step 2.	Go to step 3.
<p><b>Step 2</b></p> <p><b>a</b> Remove the toner cartridge.</p> <p><b>b</b> Clear the paper jam.</p> <p>Does the problem remain?</p>	Go to step 5.	The problem is solved.

Action	Yes	No
<p><b>Step 3</b></p> <p><b>a</b> Remove, and then reinstall the toner cartridge. Make sure that it is properly seated.</p> <p><b>b</b> Check the toner cartridge, toner cartridge button, and cartridge plunger for damage. Replace if necessary.</p> <p><b>c</b> Make sure that the latest firmware is installed.</p> <p>Does the problem remain?</p>	Go to step 4.	The problem is solved.
<p><b>Step 4</b></p> <p>Run a print test.</p> <p>Does the problem remain?</p>	Go to step 5.	The problem is solved.
<p><b>Step 5</b></p> <p>Replace the toner cartridge</p> <p>Does the problem remain?</p>	Go to step 6.	The problem is solved.
<p><b>Step 6</b></p> <p>Check the gears on the cartridge gearbox for proper rotation and for wear or damage.</p> <p>Does it rotate properly and is it free of wear or damage?</p>	Go to step 7.	Replace the cartridge gearbox. See <a href="#">“Cartridge gearbox removal” on page 185.</a>
<p><b>Step 7</b></p> <p>Check the cartridge gearbox cable for proper connection to the controller board.</p> <p>Is it properly connected?</p>	Go to step 8.	Reseat the cable.
<p><b>Step 8</b></p> <p>Check the cartridge gearbox cable for damage.</p> <p>Is it free of damage?</p>	Replace the controller board. See <a href="#">“Controller board removal” on page 189.</a>	Replace the cartridge gearbox. See <a href="#">“Cartridge gearbox removal” on page 185.</a>

## Procedure before starting the 9yy service checks

You will need to retrieve certain information. This information will aid your next level of support in diagnosing the problem before replacing the controller board.

**Warning—Potential Damage:** Do not replace the controller board unless directed by your next level of support.

- 1 Collect the history information and firmware logs (Fwdebug and logs.tar.gz) from the SE menu.
- 2 Collect the settings from the menu settings page.
- 3 Collect information from the user.

**Note:** Not all of the items are retrievable from the printer you are working on.

## A. Collecting the history information from the SE menu

**Note:** Make sure that your printer is connected to a network or to a print server.

- 1 Open a Web browser, type **http://printer\_IP\_address/se**, and then press **Enter**.

**Notes:**

- **printer\_IP\_address** is the TCP/IP address of the printer
- **se** is required to access the printer diagnostic information

- 2 Click **History Information**, copy all information, and then save it as a text file.
- 3 E-mail the text file to your next level of support.

## B. Collecting the firmware logs (Fwdebug and logs.tar.gz) from the SE menu

**Notes:**

- Make sure that your printer is connected to a network or to a print server.
- Some printers are designed to restart automatically after a 9yy error. On these printers, you can retrieve the secondary crash code information using the SE menu.
- Fwdebugs can also be referred to as LBtrace. If FWEdebugs does not appear in the list, then look for LBtrace. Multiple LBtrace logs can appear in the list of links referred to in step 2.

- 1 Open a Web browser, type **http://printer\_IP\_address/se**, and then press **Enter**.

- 2 Click **List Fwdebugs captured during reboots**.

**Note:** A list of the secondary crash codes retrieved from previous reboots will be generated. If there are Fwdebugs listed, then click **Dump Fwdebug log0**, **Dump Fwdebug log1**, and **Dump Fwdebug log2**. Clicking these links will dump the debug logs to the computer. Take note of the destination folder where the logs are saved.

- 3 E-mail the logs to your next level of support.

**Note:** Some printer SE menus give you the option of clicking **Logs Gzip Compressed**. If this option is shown in the menu, then click it and retrieve the compressed log file. Take note of the destination folder where the log file is saved.

## C. Collecting the settings from the menu settings page

**Note:** The menu settings page is different for each printer. For more information see the *User's Guide*. Your next level of support will tell you which page they want to see.

### Copying the menu settings page from the Embedded Web Server (EWS)

**Note:** Make sure that your printer is connected to a network or to a print server.

- 1 Open a Web browser, type **http://printer\_IP\_address**, and then press **Enter**.
- 2 Click Settings, and then select one of the settings pages from the links shown on the page.
- 3 Copy all the information, and then save it as a text file.
- 4 E-mail the text file to your next level of support.

### Printing the menu settings page

- 1 From the home screen, navigate to:  
**Reports > Menu Settings Page**
- 2 Print the menu settings page, and then use Scan to E-mail to send it to your next level of support.

### D. Collecting information from the user

Ask the user for information about the following:

- Print job being run
- Operating system being used
- Print driver being used
- Other information on what was happening when the 9yy error occurred

## 900 errors

### 900 error messages

Error code	Description	Action
900.xx	RIP firmware errors	Go to <a href="#">“System software error service check” on page 101.</a>

### System software error service check

There are different types of 900.xx errors that can occur. There may be a communication problem (bad cable, network connection, and so on) software issue, or a hardware problem with the controller board, or ISP (internal solutions port). The communication and software aspects should be checked first. Determine if the problem is constant or intermittent. Use the troubleshooting procedure below to isolate the issue. Take any notes as instructed. You will need that information in the event you need to contact your next level of support.

Before troubleshooting:

- 1 Perform the [“Procedure before starting the 9yy service checks” on page 99.](#)
- 2 Determine the operating system used when the error occurred. If possible determine whether a PostScript or PCL file was sent to the device when the error occurred. Ask the customer which Lexmark Solutions applications are installed on the device.

Action	Yes	No
<p><b>Step 1</b> POR the printer.</p> <p>Does the error remain?</p>	Go to step 2.	The problem is solved.
<p><b>Step 2</b></p> <ul style="list-style-type: none"> <li>a Write down the exact 900.xx error code displayed on the device.</li> <li>b Turn off the printer.</li> <li>c Clear the print queues.</li> <li>d Disconnect all communication cables, and remove all memory options.</li> <li>e Remove any installed ISP.</li> <li>f POR the printer into the Diagnostics menu.</li> </ul> <p>Does the error remain during startup?</p>	Go to step 3.	Go to step 6.
<p><b>Step 3</b> Check all the cables connected to the controller board for proper connectivity.</p> <p>Are the cables properly connected?</p>	Go to step 5.	Go to step 4.
<p><b>Step 4</b></p> <ul style="list-style-type: none"> <li>a Properly connect the cables to the controller board.</li> <li>b POR the printer into the Diagnostics menu.</li> </ul> <p>Does the error remain during startup?</p>	Go to step 5.	Go to step 6.
<p><b>Step 5</b></p> <ul style="list-style-type: none"> <li>a Replace the controller board.</li> <li>b POR the printer.</li> </ul> <p>Does the error remain during startup?</p> <p><b>Note:</b> If an error different from the original 900.xx is displayed, consult the service check for that error.</p>	Go to step 31.	The problem is solved.
<p><b>Step 6</b> Print the following:</p> <ul style="list-style-type: none"> <li>• Error log</li> <li>• Menu settings page</li> <li>• Network settings page</li> </ul> <p>Does the error remain while these pages were printing?</p>	Go to step 31.	Go to step 7.

Action	Yes	No
<p><b>Step 7</b></p> <p><b>Note:</b> Before performing this step, write down the following information about the file being sent to the printer:</p> <ul style="list-style-type: none"> <li>• Application used</li> <li>• Operating system</li> <li>• Driver type</li> <li>• File type (PCL, PostScript, XPS, etc.)</li> </ul> <p><b>a</b> Reattach the communications cable.</p> <p><b>b</b> POR the printer.</p> <p><b>c</b> Send the printer a print job.</p> <p>Does the error remain?</p>	Go to step 8.	Go to step 10.
<p><b>Step 8</b></p> <p><b>a</b> POR the printer.</p> <p><b>b</b> Send a different print job to the printer.</p> <p>Does the error remain?</p>	Go to step 9.	Go to step 10.
<p><b>Step 9</b></p> <p><b>a</b> Upgrade the firmware.</p> <p><b>Note:</b> Contact your next level of support for the correct firmware level to use.</p> <p><b>b</b> POR the printer.</p> <p><b>c</b> Send the printer a print job.</p> <p>Does the error remain?</p>	Go to step 31.	Go to step 10.
<p><b>Step 10</b></p> <p>Is the device an MFP?</p>	Go to step 11.	Go to step 13.
<p><b>Step 11</b></p> <p>Run a copy job.</p> <p>Does the error remain?</p>	Go to step 31.	Go to step 12.
<p><b>Step 12</b></p> <p>Run a scan to PC job.</p> <p>Does the error remain?</p>	Go to step 31.	Go to step 13.
<p><b>Step 13</b></p> <p>Is there optional memory installed?</p>	Go to step 14.	Go to step 16.
<p><b>Step 14</b></p> <p><b>a</b> Reinstall the memory.</p> <p><b>b</b> Send a print job to the printer.</p> <p>Does the error remain?</p>	Go to step 15.	Go to step 16.

Action	Yes	No
<p><b>Step 15</b></p> <p><b>a</b> Install a Lexmark recommended memory option.</p> <p><b>b</b> Send a print job to the printer.</p> <p>Does the error remain?</p>	Go to step 31.	The problem is solved.
<p><b>Step 16</b></p> <p>Is there a modem installed?</p>	Go to step 17.	Go to step 21.
<p><b>Step 17</b></p> <p><b>a</b> Reinstall the modem.</p> <p><b>b</b> POR the printer.</p> <p>Does the error remain?</p>	Go to step 18.	Go to step 20.
<p><b>Step 18</b></p> <p><b>a</b> Upgrade the firmware if it was not upgraded in a previous step.</p> <p><b>Note:</b> Contact your next level of support for the correct firmware level to use.</p> <p><b>b</b> POR the printer.</p> <p><b>c</b> Send the printer a print job.</p> <p>Does the error remain?</p>	Go to step 19.	The problem is solved.
<p><b>Step 19</b></p> <p><b>a</b> Replace the modem.</p> <p><b>b</b> POR the printer.</p> <p>Does the error remain?</p>	Go to step 31.	The problem is solved.
<p><b>Step 20</b></p> <p>Run a fax job.</p> <p>Does the error remain?</p>	Go to step 31.	Go to step 21.
<p><b>Step 21</b></p> <p>Is there an ISP option installed?</p>	Go to step 22.	The problem is solved.
<p><b>Step 22</b></p> <p><b>a</b> Reinstall the first ISP option.</p> <p><b>b</b> POR the printer.</p> <p>Does the error remain?</p>	Go to step 24.	Go to step 23.
<p><b>Step 23</b></p> <p>Run a job to test the option.</p> <p>Does the error remain?</p>	Go to step 24.	Go to step 26.



Action	Yes	No
<p><b>Step 24</b></p> <p><b>a</b> Upgrade the firmware if it was not upgraded in a previous step.  <b>Note:</b> Contact your next level of support for the correct firmware level to use.</p> <p><b>b</b> POR the printer.</p> <p><b>c</b> Send the printer a print job.</p> <p>Does the error remain?</p>	Go to step 25.	The problem is solved.
<p><b>Step 25</b></p> <p><b>a</b> Replace the faulty ISP option.</p> <p><b>b</b> POR the printer.</p> <p>Does the error remain?</p>	Go to step 31.	Go to step 26.
<p><b>Step 26</b></p> <p>Are there any more ISP options to install?</p>	Go to step 27.	The problem is solved.
<p><b>Step 27</b></p> <p><b>a</b> Install the next ISP option.</p> <p><b>b</b> POR the printer.</p> <p>Does the error remain?</p>	Go to step 29.	Go to step 28.
<p><b>Step 28</b></p> <p>Run a job to test the option.</p> <p>Does the error remain?</p>	Go to step 29.	Go to step 26.
<p><b>Step 29</b></p> <p><b>a</b> Upgrade the firmware if it was not upgraded in a previous step.  <b>Note:</b> Contact your next level of support for the correct firmware level to use.</p> <p><b>b</b> POR the printer.</p> <p><b>c</b> Send the printer a print job.</p> <p>Does the error remain?</p>	Go to step 30.	Go to step 26.
<p><b>Step 30</b></p> <p><b>a</b> Replace the faulty ISP option.</p> <p><b>b</b> POR the printer.</p> <p>Does the error remain?</p>	Go to step 31.	Go to step 26.

Action	Yes	No
<p><b>Step 31</b></p> <p>Contact your next level of support. You will need the following information:</p> <ul style="list-style-type: none"> <li>• Exact 900.xx error digits and complete error message</li> <li>• Printed menu settings page</li> <li>• Printed network settings page</li> <li>• Device error log</li> <li>• A sample print file if the error appears to be isolated to a single file</li> <li>• File/Application used if the error is related to specific print file</li> <li>• Device operating system</li> <li>• Driver used (PCL/PS)</li> <li>• Frequency of the occurrence of the error</li> </ul>		

## 912 errors

### 912 error messages

Error code	Description	Action
912.xx	Unrecoverable Engine firmware error POR the machine. If the error re-occurs, then update the firmware. If the error continues occurring, then replace the controller board.	Go to <a href="#">“Controller board removal” on page 189.</a>

## 94y errors

### 94y error messages

Error code	Description	Action
940.xx	RIP to engine communication failure—the zero crossing signal used for fuser control in the low voltage (LV) power supply has failed, or the wrong low voltage power supply has been installed.	Go to <a href="#">“LVPS service check” on page 95.</a>
948.xx	Failed engine card—pel clock check failed. Replace the controller board.	Go to <a href="#">“Controller board removal” on page 189.</a>
949.xx	Failed engine card—delay line calibration failure. Replace the controller board.	

## 950–958 errors

### 950–958 error messages

Error code	Description	Action
950.xx	NVRAM mismatch failure—mismatch between controller board EEPROM and control panel mirror. ".xx" codes: <ul style="list-style-type: none"> <li>• 00-29— mismatch between system and mirror</li> <li>• 30-60—mismatch between secure and system</li> </ul>	Go to <a href="#">“NVRAM mismatch failure service check” on page 107.</a>
952.xx	A recoverable NVRAM Cyclic Redundancy Check (CRC) error occurred—n is the offset at which the error occurred.	Go to <a href="#">“NVRAM cyclic redundancy service check” on page 108.</a>
953.xx	NVRAM chip failure with mirror part Replace the controller board.	Go to <a href="#">“Controller board removal” on page 189.</a>
954.xx	NVRAM chip failure with system part Replace the controller board.	
955.xx	The Code ROM or NAND flash failed the Cyclic Redundancy Check (CRC) or the NAND experienced an uncorrectable multi-bit failure. Replace the controller board.	
956.xx	RIP card failure—processor failure Replace the controller board.	
956.01	Processor temperature is over the limit. Replace the controller board.	
957.xx	RIP card failure—ASIC failure Replace the controller board.	
958.xx	Controller Board NAND Failure—printer has performed more than 100 shift and reflash operations as a result of ECC bit corrections. Replace the controller board.	

### NVRAM mismatch failure service check

**Warning—Potential Damage:** When replacing any of the following components:

- Control panel assembly
- Controller board assembly

Replace only one component at a time. Replace the required component and perform a POR before replacing a second component listed above. If this procedure is not followed, the printer will be rendered inoperable. Never replace two or more of the components listed above without a POR after installing each one or the printer will be rendered inoperable.

**Warning—Potential Damage:** These components can be used as a method of troubleshooting as long as the machine is booted into diagnostic mode or is operating in diagnostic mode. Once a component has been installed in a machine and powered up into user mode, it cannot be used in another machine. It must be returned to the manufacturer.

Action	Yes	No
<p><b>Step 1</b> Check the control panel assembly.</p> <p>Was the control panel assembly recently replaced?</p>	Go to step 3.	Go to step 2.
<p><b>Step 2</b> Check the controller board assembly.</p> <p>Was the controller board assembly recently replaced?</p>	Go to step 4.	Contact next level of support.
<p><b>Step 3</b> Replace the current control panel assembly with the original control panel assembly. Go to <a href="#">“Control panel assembly removal” on page 202.</a></p> <p>Does the error remain?</p>	Go to step 5.	The problem is solved.
<p><b>Step 4</b> Replace the current controller board assembly with the original controller board assembly. Go to <a href="#">“Controller board removal” on page 189.</a></p> <p>Does the problem continue?</p>	Go to step 6.	The problem is solved.
<p><b>Step 5</b> Replace the original control panel assembly with a new and not previously installed control panel assembly.</p> <p>Does the error continue?</p>	Contact the next level of support.	The problem is solved.
<p><b>Step 6</b> Replace the original control panel assembly with a new and not previously installed control panel door assembly.</p> <p>Does the error continue?</p>	Contact the next level of support.	The problem is solved.

### NVRAM cyclic redundancy service check

Action	Yes	No
<p>POR the printer.</p> <p>Does the error remain?</p>	Contact the next level of support.	The problem is solved.

## 959 errors

### 959 error messages

Error code	Description	Action
959.01	Controller verification failure of pensive boot code	Go to <a href="#">“Invalid firmware/controller board service check” on page 110.</a>
959.02	Failure to authenticate Signature Verification Code	
959.03	Signature Verification Code failed to authenticate a code partition	
959.04	Jump to unverified address	
959.05	Unknown Boot Failure	
959.20	Pensive hardware failure	
959.21	Pensive did not respond to command request	
959.22	Challenge Secret Failure	
959.23	Pensive self test failed during initialization	
959.24	EEPROM Retention Error (Write failure)	
959.25	Insufficient device space during HW prog	
959.26	Incremental counter reset exceeds maximum value	
959.27	Increment count failed due to max value limit	
959.28	Invalid SP Memory Configuration	
959.30	Pensive library flagged an invalid argument(s)	Go to <a href="#">“Invalid firmware/controller board service check” on page 110.</a>
959.31	Pensive library flagged an invalid device address	
959.32	Failure to init physical interface	
959.33	Unknown/unexpected Error	
959.34	System Pensive Bus Busy Error	
959.35	Transmission Error	
959.36	Pensive command is invalid due to unlocked device status	
959.37	Pensive command is invalid due to locked device status	
959.38	Incremental counter id(s) are invalid	
959.39	Invalid NV address	
959.40	Invalid Pensive command	

## Invalid firmware/controller board service check

Action	Yes	No
Update the firmware. <b>Note:</b> Contact the next level of support for the correct firmware level.  Does the error remain?	Replace the controller board. See <a href="#">“Controller board removal” on page 189</a> .	The problem is solved.

## 96y errors

### 96y error messages

Error code	Description	Action
960.xx	RAM Memory Error—RAM soldered on the card is bad Replace the controller board.	Go to <a href="#">“Controller board removal” on page 189</a> .
961.xx	RAM Memory Error—optional DRAM is bad	Go to <a href="#">“RAM memory error service check” on page 110</a> .
964.xx	Download Emulation Cyclic Redundancy Check (CRC) Error—checksum failure detected in the emulation header or emulation file.	Go to <a href="#">“Download emulation cyclic redundancy service check” on page 110</a> .

### RAM memory error service check

Action	Yes	No
Replace the bad memory card.  Does the error remain?	Contact the next level of support.	The problem is solved.

### Download emulation cyclic redundancy service check

Action	Yes	No
<b>Step 1</b> Disable the download emulation, and then program the download emulation into the firmware card again.  Does the error remain?	Go to step 2.	The problem is solved.
<b>Step 2</b> Replace the firmware card and download the emulation to the new card.  Does the error remain?	Contact the next level of support.	The problem is solved.

## 97y errors

### 97y error messages

Error code	Description	Action
975.xx	Network error—Unrecognizable network port.	Go to <a href="#">“Network port error service check” on page 111.</a>
976.xx	Network error—Unrecoverable software error in network port.	
978.xx	Network error—Bad checksum while programming network port.	
979.xx	Network error—Flash parts failed while programming network port.	

### Network port error service check

Action	Yes	No
<p><b>Step 1</b></p> <p>Check the network cable for proper connection and damage, and replace if necessary.</p> <p>Does the problem remain?</p>	Go to step 2.	The problem is solved.
<p><b>Step 2</b></p> <p>Check the controller board network port for proper operation and damage, and replace the controller board if necessary.</p> <p>Does the problem remain?</p>	Contact the next level of support.	The problem is solved.

## 98y errors

### 98y error messages

Error code	Description	Action
980.xx	Engine experiencing unreliable communication with the specified device.	Go to <a href="#">“Option communication error service check” on page 112.</a>
981.xx	Engine protocol violation detected by the specified device.	
982.xx	Communications error detected by the specified device. Device can be: <ul style="list-style-type: none"> <li>• Engine, Duplex, Tray [x], Env Feeder</li> <li>• Output Bin [x] (applicable only for single bin devices)</li> <li>• Bins [x] to [y] (applicable only for multiple bin devices)</li> </ul>	
983.xx	Invalid command received by the specified device.	
984.xx	Invalid command parameter received by the specified device.	

### Option communication error service check

Action	Yes	No
<b>Step 1</b> Make sure that the optional hardware is compatible with the printer.  Does the problem remain?	Go to step 2.	The problem is solved.
<b>Step 2</b> Make sure that the firmware of the engine and options are compatible.  Are the firmware of the engine and options compatible?	Go to step 4.	Go to step 3.
<b>Step 3</b> Update the firmware.  Does the problem remain?		
<b>Step 4</b> Make sure that the interconnect cables are properly seated.  Does the problem remain?	Go to step 5.	The problem is solved.



Action	Yes	No
<p><b>Step 5</b></p> <p>Make sure that both ends of the interconnect cables are properly connected to the controller board and engine options card.</p> <p>Does the problem remain?</p>	Go to step 6.	The problem is solved.
<p><b>Step 6</b></p> <p>Check the option for damage, and replace if necessary.</p> <p>Does the problem remain?</p>	Go to step 7.	The problem is solved.
<p><b>Step 7</b></p> <p>Check the controller board for damage, and replace if necessary.</p> <p>Does the problem remain?</p>	Contact the next level of support.	The problem is solved.

## 99y errors

### 99y error messages

Error code	Description	Action
990.xx	<p>An equipment check condition has occurred in the specified device, but the device is unable to identify the exact component failure. The device can be:</p> <ul style="list-style-type: none"> <li>• Engine, Duplex, Tray [x], Env Feeder</li> <li>• Output Bin [x] (applicable only for single bin devices)</li> <li>• Bins [x] to [y] (applicable only for multiple bin devices)</li> </ul>	Go to <a href="#">“Option communication error service check” on page 112.</a>
991.xx	<p>The specified device has detected an equipment check in its controller board. The device can be:</p> <ul style="list-style-type: none"> <li>• Engine, Duplex, Tray [x], Env Feeder</li> <li>• Output Bin [x] (applicable only for single bin devices)</li> <li>• Bins [x] to [y] (applicable only for multiple bin devices)</li> </ul>	

## Base printer symptoms

Symptom	Action
Buttons on the control panel failed to respond	Go to <a href="#">“Control panel button service check” on page 116.</a>
<ul style="list-style-type: none"> <li>• Fan does not come on</li> <li>• Fan noisy</li> </ul>	Go to <a href="#">“Cooling fan service check” on page 114.</a>
No display	Go to <a href="#">“Control panel service check” on page 117.</a>

Symptom	Action
Printer not communicating with host	Go to <a href="#">“USB print service check” on page 118.</a>
Machine does not POR (no power)	Go to <a href="#">“Dead machine service check” on page 114.</a>
Toner starvation and 31.4x error code is displayed	Go to <a href="#">“Toner starvation service check” on page 117.</a>
Print job not printing on network attached printer	Go to <a href="#">“Network service check” on page 119.</a>
Network attached printer offline	Go to <a href="#">“Network service check” on page 119.</a>

## Cooling fan service check

Action	Yes	No
<p><b>Step 1</b></p> <p><b>a</b> Make sure that the cable JFAN1 is properly connected to the controller board.</p> <p><b>b</b> Check if the cooling fan is rotating properly.</p> <p>Is it rotating properly?</p>	Go to step 2.	Replace the cooling fan. See <a href="#">“Cooling fan removal” on page 188.</a>
<p><b>Step 2</b></p> <p><b>a</b> Turn off the printer, and disconnect JFAN1 from the controller board.</p> <p><b>b</b> Turn on the printer, and measure the voltage across JFAN1.</p> <p>Is the voltage approximately 24 V?</p>	Go to step 3.	Replace the controller board. See <a href="#">“Controller board removal” on page 189.</a>
<p><b>Step 3</b></p> <p>Is the fan idle?</p>	Replace the cooling fan. See <a href="#">“Cooling fan removal” on page 188.</a>	The problem is solved.

## Dead machine service check

Action	Yes	No
<p><b>Step 1</b></p> <p><b>a</b> Check the power cord for continuity. Replace if necessary.</p> <p><b>b</b> Make sure the nominal voltage source is within specification. See <a href="#">“Electrical specifications” on page 275.</a></p>	Go to step 2.	The problem is solved.
<p><b>Step 2</b></p> <p>Check if the power supply cable is properly connected to the controller board.</p> <p>Are they properly connected?</p>	Go to step 3.	Reseat the cables.

Action	Yes	No
<p><b>Step 3</b></p> <p><b>a</b> Turn off the printer.</p> <p><b>b</b> Remove the power cord.</p> <p><b>c</b> Measure the resistance between terminals A and D of the power supply socket.</p> <p>Is the resistance approximately 30 ohms?</p>	<p>Go to <a href="#">“Controller board service check” on page 115.</a></p>	<p>Replace the power supply. See <a href="#">“Power supply removal” on page 218.</a></p>

## Controller board service check

Service checks which involve measuring voltages on the power supply should be performed with the printer positioned on its rear side.

**Note:** When making voltage readings, always use frame ground unless another ground is specified. See the wiring diagram in the back of the book for more information.

**Warning—Potential Damage:** Do not replace the control panel and controller board at the same time. Each card contains the printer settings. When either of these cards is new, it obtains some of the settings from the other card. Settings are lost when both are new and replaced at the same time.

Action	Yes	No
<p><b>Step 1</b></p> <p>POR the machine.</p> <p>Did the control panel, fuser, fan and drive motor function at startup?</p>	<p>Go to step 2.</p>	<p>Go to step 3.</p>
<p><b>Step 2</b></p> <p>Run some print jobs.</p> <p>Does the error remain?</p>	<p>Go to step 3.</p>	<p>The problem is solved.</p>
<p><b>Step 3</b></p> <p>Check all cables on the controller board.</p> <p>Are they connected properly?</p>	<p>Go to step 5.</p>	<p>Go to step 4.</p>
<p><b>Step 4</b></p> <p>Properly connect all the cables on the controller board.</p> <p>Does the error remain?</p>	<p>The problem is solved.</p>	<p>Go to step 5.</p>
<p><b>Step 5</b></p> <p>Unplug the cable JPS1 from the controller board, and verify the following voltages from the cable:</p> <ul style="list-style-type: none"> <li>• +5 V at pins 11, 12, 13, 14, 15, 16</li> <li>• GND at pins 18, 20</li> </ul> <p>Are the voltages correct?</p>	<p>Go to step 7.</p>	<p>Go to step 6.</p>

Action	Yes	No
<b>Step 6</b> Replace the power supply.  Does the error remain?	The problem is solved.	Contact the next level of support.
<b>Step 7</b> Is the control panel functioning properly?	Go to step 9.	Go to control panel service check. Go to <a href="#">“Control panel service check” on page 117.</a>
<b>Step 8</b> Perform the control panel service check. Go to <a href="#">“Control panel service check” on page 117.</a>  Does the error remain?	Go to step 9.	The problem is solved.
<b>Step 9</b> Is the LED on the bottom of the controller board illuminating?	Go to step 6.	Replace the controller board. Go to <a href="#">“Controller board removal” on page 189.</a>

## Control panel button service check

Action	Yes	No
<b>Step 1</b> Are the control panel display and control panel indicator light illuminated?	Go to step 2.	Perform a control panel service check. Go to <a href="#">“Control panel service check” on page 117.</a>
<b>Step 2</b> POR into the Diagnostics menu and perform a button test: <b>Diagnostics Menu &gt; HARDWARE TESTS &gt; Button Test</b>  Did the printer pass the test?	Go to step 4.	Go to step 3.
<b>Step 3</b> Replace the UICC. Go to <a href="#">“UICC removal” on page 204.</a>  Did this fix the problem?	The problem is solved.	Go to step 4.
<b>Step 4</b> Replace the controller board. Go to <a href="#">“Controller board removal” on page 189.</a>  Did this fix the problem?	The problem is solved.	Contact the next level of support.

## Control panel service check

**Warning—Potential Damage:** Do not replace the operator panel and controller board at the same time. Each card contains the printer settings. When either of these cards is new, it obtains some of the settings from the other card. Settings are lost when both are new and replaced at the same time.

Action	Yes	No
<p><b>Step 1</b></p> <p>Check the UICC cable for proper connection to the UICC and to the controller board.</p> <p>Are they properly connected?</p>	Go to step 2.	Reseat the cable.
<p><b>Step 2</b></p> <p>Is the control panel display blank?</p>	Go to step 3.	The problem is solved.
<p><b>Step 3</b></p> <p>Replace the UICC. Go to <a href="#">“UICC removal” on page 204.</a></p> <p>Did this fix the problem?</p>	The problem is solved.	Replace the controller board. Go to <a href="#">“Controller board removal” on page 189.</a>

## Toner starvation service check

Action	Yes	No
<p><b>Step 1</b></p> <p><b>a</b> Check if the toner cartridge is a supported and genuine Lexmark supply. If not, then replace it.</p> <p><b>b</b> Make sure that the toner cartridge is properly installed.</p> <p><b>c</b> Check the toner cartridge and toner cartridge button for damage. Replace if necessary.</p> <p><b>d</b> Make sure that the latest firmware is installed.</p> <p>Does the problem remain?</p>	Go to step 2.	The problem is solved.
<p><b>Step 2</b></p> <p>Check the cartridge plunger.</p> <p>Is the cartridge plunger properly attached to the front door and is the spring functioning properly?</p>	Go to step 5.	Go to step 3.
<p><b>Step 3</b></p> <p><b>a</b> Install a new cartridge plunger and spring. See <a href="#">“Cartridge plunger removal” on page 198.</a></p> <p><b>b</b> Print some pages.</p> <p>Did this fix the problem?</p>	The problem is solved.	Go to step 4.
<p><b>Step 4</b></p> <p>Did a 201.22 error display?</p>	Go to <a href="#">“Cartridge gearbox service check” on page 98.</a>	Go to step 5.

Action	Yes	No
<p><b>Step 5</b> Try a different toner cartridge.</p> <p>Did this fix the problem?</p>	The problem is solved.	Go to step 6.
<p><b>Step 6</b> Check the connections between the cartridge gearbox and the controller board.</p> <p>Is the cable properly connected to the cartridge gearbox and to the controller board?</p>	Go to step 8.	Go to step 7.
<p><b>Step 7</b> Reconnect the cable to the cartridge gearbox and to the controller board.</p> <p>Did this fix the problem?</p>	The problem is solved.	Go to step 8.
<p><b>Step 8</b> Replace the cartridge gearbox. See <a href="#">“Cartridge gearbox removal” on page 185</a>.</p> <p>Did this fix the problem?</p>	The problem is solved.	Contact the next level of support.

## USB print service check

Action	Yes	No
<p><b>Step 1</b> Enter Diagnostic mode and perform a print test to make sure the printer prints correctly. Verify that the indicator light is on, and then print the menu settings page. Navigate to: <b>Reports &gt; Menu Settings Page</b></p> <p>Are the internal pages printing?</p>	Go to step 2.	Go to step 7.
<p><b>Step 2</b> Verify if the user's applications are set up correctly.</p> <p>Are they set up correctly?</p>	Go to step 4.	Go to step 3.
<p><b>Step 3</b> Try a different application to run a print job.</p> <p>Did the output print?</p>	This is not a printer issue.	Go to step 4.
<p><b>Step 4</b> Check the printer driver.</p> <p>Is the correct driver being used and properly set up?</p>	Go to step 6.	Go to step 5.

Action	Yes	No
<p><b>Step 5</b> Use a different driver.</p> <p>Did this fix the issue?</p>	The problem is solved.	Go to step 6.
<p><b>Step 6</b> Try a different USB cable.</p> <p>Did this fix the issue?</p>	The problem is solved.	Go to step 7.
<p><b>Step 7</b> Replace the controller board. Go to <a href="#">“Controller board removal” on page 189</a>.</p> <p>Did this fix the issue?</p>	The problem is solved.	Contact the next level support

## Network service check

**Note:** Before starting this service check, print out the network setup page. This page is found under **Menu > Reports > Network Settings**. Consult the network administrator to verify that the physical and wireless network settings displayed on the network settings page for the device are properly configured. If a wireless network is used, then verify that the printer is in range of the host computer or wireless access point, and there is no electronic interference. Have the network administrator verify that the device is using the correct SSID, and wireless security protocols. For more network troubleshooting information, consult the Lexmark Network Setup Guide.

Actions	Yes	No
<p><b>Step 1</b> If the device is physically connected to the network, verify that the Ethernet cable is properly connected on both ends.</p> <p>Is the cable properly connected?</p>	Go to step 3. If the network is wireless, then go to step 3.	Go to step 2.
<p><b>Step 2</b> Connect the Ethernet cable.</p> <p>Does this fix the problem.</p>	The problem is solved.	Go to step 3.
<p><b>Step 3</b> Check the printer’s online status under Printers and Faxes on the host computer. Delete all print jobs in the print queue.</p> <p>Is the printer online and in a Ready state?</p>	Go to step 5.	Go to step 4.
<p><b>Step 4</b> Change the printer status to online.</p> <p>Did this fix the issue?</p>	The problem is solved.	Go to step 5.

Actions	Yes	No
<p><b>Step 5</b> Does the IP address displayed on the network settings page match the IP address in the port of the drivers using the printer?</p>	Go to step 10.	Go to step 6.
<p><b>Step 6</b> Does the LAN use DHCP? <b>Note:</b> A printer should use a static IP address on a network.</p>	Go to step 7.	Go to step 9.
<p><b>Step 7</b> Are the first two segments of the IP address 169.254</p>	Go to step 8.	Go to step 9.
<p><b>Step 8</b> POR the printer.  Did this resolve the issue?</p>	The problem is solved.	Go to step 10.
<p><b>Step 9</b> Reset the address on the printer to match the IP address on the driver.  Did this resolve the issue?</p>	The problem is solved.	Go to step 10.
<p><b>Step 10</b> Have the network administrator verify that the printer and PC's IP address have identical subnet addresses.  Are the subnet addresses the same?</p>	Go to step 12.	Go to step 11.
<p><b>Step 11</b> Using the subnet address supplied by the network administrator, assign a unique IP address to the printer. <b>Note:</b> The printer IP address should match the IP address on the printer driver.  Did this fix the problem?</p>	The problem is solved.	Go to step 12.
<p><b>Step 12</b> Is the device physically connected (Ethernet cable) to the network?</p>	Go to step 13.	Go to step 15.
<p><b>Step 13</b> Try using a different Ethernet cable.  Did this fix the problem?</p>	The problem is solved.	Go to step 14.
<p><b>Step 14</b> Have the network administrator check the network drop for activity.  Is the network drop functioning properly?</p>	Replace the controller board. See <a href="#">“Controller board removal” on page 189.</a>	Contact the network administrator.
<p><b>Step 15</b> Is the printer on the same wireless network as the other devices?</p>	Go to step 17.	Go to step 16.



Actions	Yes	No
<p><b>Step 16</b> Assign the correct wireless network to the printer.</p> <p>Did this fix the problem?</p>	The problem is solved.	Go to step 17.
<p><b>Step 17</b> Are the other devices on the wireless network communicating properly?</p>	Go to step 18.	Contact the network administrator.
<p><b>Step 18</b> Verify that the wireless card is properly seated on the controller board.</p> <p>Is the wireless card seated correctly?</p>	Go to step 20.	Go to step 19.
<p><b>Step 19</b> Properly reseal the wireless card.</p> <p>Did this fix the problem?</p>	The problem is solved.	Go to step 20.
<p><b>Step 20</b> If there is an attached antenna, is the antenna damaged?</p>	Go to step 22.	Go to step 21.
<p><b>Step 21</b> Replace the antenna.</p> <p>Did this fix the problem?</p>	The problem is solved.	Go to step 22.
<p><b>Step 22</b> Verify that the antenna is properly connected to the wireless card.</p> <p>Is it connected correctly?</p>	Go to step 24.	Go to step 23.
<p><b>Step 23</b> Properly connect the antenna.</p> <p>Did this fix the problem?</p>	The problem is solved.	Go to step 24.
<p><b>Step 24</b> Replace the wireless card.</p> <p>Did this fix the problem?</p>	The problem is solved.	Go to step 25.
<p><b>Step 25</b> Replace the controller board. See <a href="#">“Controller board removal” on page 189</a>.</p> <p>Did this fix the problem?</p>	The problem is solved.	Contact the next level of support.

# Input option hardware errors

## 3yy error messages

Error code	Description	Action
321.51	Motor 1 (Pick/Lift) motor no first encoder	Go to <a href="#">“Option tray pick/lift motor service check” on page 124.</a>
321.52	Motor 1 (Pick/Lift) motor stop error	Go to <a href="#">“Option tray pick/lift motor service check” on page 124.</a>
321.53	Motor 1 (Pick/Lift) PWM underflow (motor overspeed)	Go to <a href="#">“Option tray pick/lift motor service check” on page 124.</a>
322.54	Motor 2 (Separator/Passthru) motor no first encoder	Go to <a href="#">“Option tray separator/pass through motor service check” on page 124.</a>
322.55	Motor 2 (Separator/Passthru) motor stop error	Go to <a href="#">“Option tray separator/pass through motor service check” on page 124.</a>
322.56	Motor 2 (Separator/Passthru) PWM underflow (motor overspeed)	Go to <a href="#">“Option tray separator/pass through motor service check” on page 124.</a>
324.57	Motor 3 motor no first encoder	Go to <a href="#">“Option tray ACM motor service check” on page 125.</a>
324.58	Motor 3 motor stop error	Go to <a href="#">“Option tray ACM motor service check” on page 125.</a>
324.59	Motor 3 PWM underflow (motor overspeed)	Go to <a href="#">“Option tray ACM motor service check” on page 125.</a>
325.60	Hardware error—Board ID unknown	Go to <a href="#">“Option tray controller card service check” on page 125.</a>
325.61	Hardware error—Option type unknown	Go to <a href="#">“Option tray controller card service check” on page 125.</a>
325.62	Hardware error—Product ID unknown	Go to <a href="#">“Option tray controller card service check” on page 125.</a>
325.63	Hardware error—Sensors are not plugged on the board.	Go to <a href="#">“Option tray controller card service check” on page 125.</a>
331.51	Motor 1 (Pick/Lift) motor no first encoder	Go to <a href="#">“Option tray pick/lift motor service check” on page 124.</a>
331.52	Motor 1 (Pick/Lift) motor stop error	Go to <a href="#">“Option tray pick/lift motor service check” on page 124.</a>
331.53	Motor 1 (Pick/Lift) PWM underflow (motor overspeed)	Go to <a href="#">“Option tray pick/lift motor service check” on page 124.</a>
332.54	Motor 2 (Separator/Passthru) Motor no first encoder	Go to <a href="#">“Option tray separator/pass through motor service check” on page 124.</a>
332.55	Motor 2 (Separator/Passthru) motor stop error	Go to <a href="#">“Option tray separator/pass through motor service check” on page 124.</a>

Error code	Description	Action
332.56	Motor 2 (Separator/Passthru) PWM underflow (motor overspeed)	Go to <a href="#">“Option tray separator/pass through motor service check” on page 124.</a>
334.57	Motor 3 motor no first encoder	Go to <a href="#">“Option tray ACM motor service check” on page 125.</a>
334.58	Motor 3 motor stop error	Go to <a href="#">“Option tray ACM motor service check” on page 125.</a>
334.59	Motor 3 PWM underflow (motor overspeed)	Go to <a href="#">“Option tray ACM motor service check” on page 125.</a>
335.60	Hardware error—Board ID unknown	Go to <a href="#">“Option tray controller card service check” on page 125.</a>
335.61	Hardware error—Option type unknown	Go to <a href="#">“Option tray controller card service check” on page 125.</a>
335.62	Hardware error—Product ID unknown	Go to <a href="#">“Option tray controller card service check” on page 125.</a>
335.63	Hardware error—Sensors are not plugged on the board.	Go to <a href="#">“Option tray controller card service check” on page 125.</a>
341.51	Motor 1 (Pick/Lift) motor no first encoder	Go to <a href="#">“Option tray pick/lift motor service check” on page 124.</a>
341.52	Motor 1 (Pick/Lift) motor stop error	Go to <a href="#">“Option tray pick/lift motor service check” on page 124.</a>
341.53	Motor 1 (Pick/Lift) PWM underflow (motor overspeed)	Go to <a href="#">“Option tray pick/lift motor service check” on page 124.</a>
342.54	Motor 2 (Separator/Passthru) motor no first encoder	Go to <a href="#">“Option tray separator/pass through motor service check” on page 124.</a>
342.55	Motor 2 (Separator/Passthru) motor stop error	Go to <a href="#">“Option tray separator/pass through motor service check” on page 124.</a>
342.56	Motor 2 (Separator/Passthru) PWM underflow (motor overspeed)	Go to <a href="#">“Option tray separator/pass through motor service check” on page 124.</a>
344.57	Motor 3 motor no first encoder	Go to <a href="#">“Option tray ACM motor service check” on page 125.</a>
344.58	Motor 3 motor stop error	Go to <a href="#">“Option tray ACM motor service check” on page 125.</a>
344.59	Motor 3 PWM underflow (motor overspeed)	Go to <a href="#">“Option tray ACM motor service check” on page 125.</a>

## Option tray pick/lift motor service check

Action	Yes	No
<p><b>Step 1</b></p> <p><b>a</b> Remove the option tray insert.</p> <p><b>b</b> Check the lift plate and gears for proper operation by moving the metal plate.</p> <p>Do the lift plate and gears move freely, and are they free of wear or damage?</p>	Go to step 2.	Replace the tray insert.
<p><b>Step 2</b></p> <p>Check the pick/lift motor for the following:</p> <ul style="list-style-type: none"> <li>• Gear tooth breakage</li> <li>• Freedom of rotation</li> </ul> <p>Is it free of wear or damage?</p>	Go to step 3.	Replace the tray.
<p><b>Step 3</b></p> <p>Check the cable J11 on the option tray controller card.</p> <p>Is it properly connected and free of damage?</p>	Contact the next level of support.	Replace the tray.

## Option tray separator/pass through motor service check

Action	Yes	No
<p><b>Step 1</b></p> <p><b>a</b> Remove the option tray insert.</p> <p><b>b</b> Check the separator roll assembly gear under the tray base for the following:</p> <ul style="list-style-type: none"> <li>• Gear tooth breakage</li> <li>• Freedom of rotation</li> </ul> <p>Does it move freely, and is it free of wear or damage?</p>	Go to step 2.	Replace the tray.
<p><b>Step 2</b></p> <p>Check the cable J10 on the option tray controller card.</p> <p>Is it properly connected and free of damage?</p>	Go to step 3.	Replace the tray.
<p><b>Step 3</b></p> <p>Check the separator roll assembly for wear or damage.</p> <p>Is it free of wear or damage?</p>	Contact the next level of support.	Replace the separator roll assembly. See <a href="#">“Separator roll assembly removal” on page 247.</a>

## Option tray ACM motor service check

Action	Yes	No
<p><b>Step 1</b> Check the cable J11 on the option tray controller card.</p> <p>Is it properly connected?</p>	Go to step 2.	Reseat the cable.
<p><b>Step 2</b></p> <p><b>a</b> Remove the option tray insert and bypass the tray present sensor.</p> <p><b>b</b> POR into the Diagnostics Menu and perform a feed test: <b>Diagnostics Menu &gt; Feed Test &gt;</b> choose an option tray</p> <p><b>c</b> Check the ACM for proper operation.</p> <p>Does the ACM freely rotate three times before displaying a jam message?</p>	Go to step 3.	Replace the ACM assembly. See <a href="#">“ACM assembly removal” on page 249.</a>
<p><b>Step 3</b> Is the ACM gear free of wear or damage?</p>	Contact the next level of support.	Replace the ACM assembly. See <a href="#">“ACM assembly removal” on page 249.</a>

## Option tray controller card service check

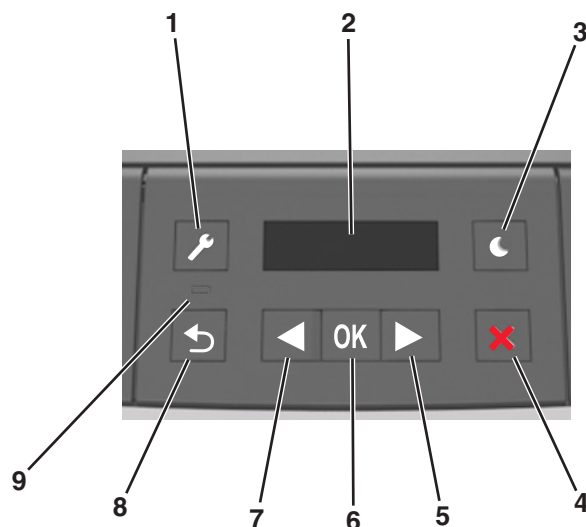
Action	Yes	No
<p><b>Step 1</b> Check all connections to the option tray controller card.</p> <p>Are the properly connected?</p>	Go to step 2.	Reseat the cables.
<p><b>Step 2</b> Check printer's firmware level.</p> <p>Is it up to date?</p>	Go to step 3.	Update the firmware.
<p><b>Step 3</b> Replace the option tray.</p> <p>Does the error remain?</p>	Contact the next level of support.	The problem is solved.



# Service menus

## Understanding the printer control panel

### Using the printer control panel



	Use the	To
1	Menu button	Open the menus. <b>Notes:</b> <ul style="list-style-type: none"> <li>The menus are available only when the printer is in the Ready state.</li> <li>Pressing the button while navigating within the menus returns the printer control panel to the top-level menu screen.</li> </ul>
2	Display	View printing options as well as status and error messages.
3	Sleep button	Enable Sleep mode or Hibernate mode. <b>Notes:</b> <ul style="list-style-type: none"> <li>Pressing any hard button will cause the printer to wake from Sleep mode.</li> <li>Pressing the Sleep button or the power switch will cause the printer to wake from Hibernate mode.</li> </ul>
4	Stop button	<ul style="list-style-type: none"> <li>Exit the menus and return to the Ready state.</li> <li>Stop printer activities, such as printing or downloading fonts.</li> </ul>
5	Right arrow button	<ul style="list-style-type: none"> <li>Scroll through menus or to move between screens and menu options.</li> <li>Scroll through settings or text. For menus with numeric values, press and hold an arrow button to scroll through the settings. Release the button when the value you want appears.</li> </ul>

	Use the	To
6	Select button	<ul style="list-style-type: none"> <li>Open a menu.</li> <li>Display available values or settings for a menu. The current default setting is indicated by an asterisk (*).</li> <li>Save the displayed value as the new user default setting.</li> </ul>
7	Left arrow button	<ul style="list-style-type: none"> <li>Scroll through menus or to move between screens and menu options.</li> <li>Scroll through settings or text. For menus with numeric values, press and hold an arrow button to scroll through the settings. Release the button when the value you want appears.</li> </ul>
8	Back button	Return to the previous screen.
9	Indicator light	Determine the status of the printer.

## Understanding the colors of the indicator and Sleep button lights

The colors of the indicator and Sleep button lights on the printer control panel signify a certain printer status or condition.

Indicator light	Printer status
Off	The printer is off or in Hibernate mode.
Blinking green	The printer is warming up, processing data, or printing.
Solid green	The printer is on, but idle.
Blinking red	The printer requires user intervention.
Sleep button light	Printer status
Off	The printer is idle or in Ready state.
Solid amber	The printer is in Sleep mode.
Blinking amber	The printer is waking from or entering Hibernate mode.
Blinking amber for 0.1 second, then goes completely off for 1.9 seconds in pulsing pattern	The printer is in Hibernate mode.



## Menus list

### Paper Menu

Default Source  
Paper Size/Type  
Configure MP  
Substitute Size  
Paper Texture  
Paper Weight  
Paper Loading  
Custom Types  
Universal Setup

### Reports

Menu Settings Page  
Device Statistics  
Network Setup Page<sup>1</sup>  
Profiles List  
Print Fonts  
Print Directory  
Asset Report

### Network/Ports<sup>3</sup>

Active NIC  
Standard Network<sup>2</sup>  
Reports  
Network card  
TCP/IP  
IPv6  
Wireless  
AppleTalk  
Standard USB  
SMTP Setup

### Security

Security Audit Log  
Set Date and Time

### Settings

General Settings  
Print Settings

<sup>1</sup> Depending on the printer setup, this menu item appears as Network Setup Page or Network [x] Setup Page.

<sup>2</sup> Depending on the printer setup, this menu item appears as Standard Network or Network [x].

<sup>3</sup> The menu items in this menu appear only in network printers or printers connected to print servers.

## Diagnostics menu

The Diagnostics menu group consists of menus, settings, and operations that are used to diagnose printer problems.

### Entering the Diagnostics menu

- 1 Turn off the printer.
- 2 Press and hold ◀ and **OK**.
- 3 Turn on the printer.
- 4 Release the buttons when a line of dots appears.

### Registration

These settings adjust the margins of the black plane.

To set the Registration:

- 1 Print a Quick test page.
  - a From the Diagnostics menu, navigate to:  
**Registration > Quick Test**
  - b Retain this page to determine the changes you need to make to the margin settings. The alignment diamonds in the margins should touch the margins of the page.

The Quick test page contains the following information:

- Printer registration settings
- Code levels
- Alignment diamonds at the top, bottom, and each side
- Horizontal lines for skew adjustment
- General printer information, including current page count, installed memory, processor speed, serial number, engine ID, and system card ID

**2** Change the value of any of the margin settings.

Top Margin	-16 to +16	Increasing the value moves the image down the page. Always adjust the top before the bottom margin.
Bottom Margin	-20 to +20	Increasing the value moves the image toward the top of the page.
Left Margin	-25 to +25	Increasing the value moves the image toward the right margin. Always adjust the left before the right margin.
Right Margin	-30 to +30	Use this to adjust the printhead.

**Note:** The alignment of the left margin positions the black plane to the right or left. The alignment of the right margin does not alter the margins and should only be used to adjust the printhead.

## PRINT TESTS

This test determines if the printer can print on paper from any of the input trays. Each installed tray is available within the Print Tests menu.

The content of the test page varies depending on the paper in the selected input tray.

- If the selected tray contains paper, then a page similar to the Quick Test page is printed but without the print registration diamonds information.
- If the selected tray contains envelopes, then an envelope print test pattern is printed. If Continuous is selected, then the envelope print test pattern is printed on the first envelope and the rest of the envelopes are blank.

The Print Test page always prints one-sided, regardless of the duplex setting or the presence of the duplex option.

**1** Enter the Diagnostics menu, and then select **PRINT TESTS**.

**2** Select the paper source.

**3** Select any of the following:

- **Single**—This option prints a single Print Test page (no buttons are active while the test page is printing).
- **Continuous**—This option continuously prints the Print Test page until **X** is pressed.

## Print Quality Pages

This enables the user to view the values of the printer settings and to test its ability to generate acceptable printed output.

The report consists of four pages. The printer always uses media from Tray 1 to print this report. It will not prompt for a change in media regardless of the media type in Tray 1.

**Note:** This test cannot be canceled after it has begun. If duplex is activated, then the report is printed in duplex.

To print the Print quality pages:

From the Diagnostics menu, navigate to **Print Tests > Print Quality Pages**.

## Hardware Tests

If the hardware test fails, replace the failing part.

### Panel Test

This test verifies the function of the control panel display.

**1** Enter the Diagnostics menu, and then navigate to:

**Hardware Tests > Panel Test**

**2** Exit the test.

### Button Test

This verifies the control panel button function except for the Sleep button.

To run the Button test:

**1** From the Diagnostics menu, navigate to:

**Hardware Tests > Button Test**

**2** **Press count: 0** appears.

**3** Press each control panel button one at a time. Each time a button is pressed, the press count increments by 1.

**4** Press **X** to exit the test.

### DRAM Test

This test checks the validity of the standard and optional dynamic random access memory (DRAM). The test repeatedly writes patterns of data to the DRAM to verify that each bit in the memory can be set and read correctly.

**1** Enter the Diagnostics menu, and then navigate to:

**HARDWARE TESTS > DRAM Test**

**2** Testing and resetting the printer messages appear on the display.

**3** After the printer resets, the results of the test appear: **DRAM Test [x] P:##### F:#####**.

- **[x]** represents the size of the installed DRAM.
- **P:#####** represents the number of times the memory test passed and finished successfully. The maximum pass count is 999,999.

- **F:#####** represents the number of times the memory test failed and finished with errors.  
The maximum pass count is 999,999.

4 After the maximum pass or fail count is reached or when all the DRAM has been tested, the test stops and the final results appear.

## USB HS Test Mode

1 From the Diagnostics menu, navigate to:

**Hardware Tests > USB HS Test Mode**

2 Choose the desired port, and then choose the desired test.

Ports	Tests
Port 0	Test J
Port 1	Test K
Port 2	Test SEO NAK
Port 3	Test Packet Test Force Enable
Single Step Get Device Single Step Set Feature	

3 To exit the test, POR the printer.

4 If the test fails, replace the failing USB cable.

## Duplex Tests

### Quick Test

The Duplex quick test determines if the top margin at the back of a duplexed page is set correctly. This test prints a duplexed version of the Quick test page that can be used to adjust the duplex top margin. Use either Letter or A4 paper.

To run the Duplex quick test:

1 From the Diagnostics menu, navigate to:

**Duplex Tests > Quick Test**

2 Choose any of the following:

- Single—Prints a single Quick test page.
- Continuous—Continuously prints the Quick test pages until **X** is pressed.

The printer attempts to print the Quick test page from the default paper source. If the default paper source supports only envelopes, then the page is printed from Tray 1.

The Quick test page contains the following information:

- Printer registration settings
- Code levels
- Alignment diamonds at the top, bottom, and each side

- Horizontal lines for skew adjustment
  - General printer information, including current page count, installed memory, processor speed, serial number, engine ID, and controller board ID
- 3** Check the Quick test page for the correct offset between the placement of the first scan line on the front and back side of a duplexed sheet.
  - 4** If adjustment is necessary, the top margin in the Registration menu must be adjusted first. The duplex top margin offset may be adjusted next. A positive offset moves the text down the page and widens the top margin, while a negative offset moves the text up the page and narrows the top margin.

## Top Margin

This setting controls the offset between the placement of the first scan line on the front and back side of a duplex sheet.

**Note:** If adjustment is necessary, the top margin in the Registration menu must be adjusted first. The duplex top margin may be adjusted next.

To adjust this setting:

- 1** From the Diagnostics menu, navigate to:  
**Duplex Tests > Top Margin**
- 2** Change the margin value.  
Changing the value by 1 unit moves the margin by 1/100 in. A positive value moves the text down the page and widens the top margin. A negative value moves the text up the page and narrows the top margin.
- 3** Press **OK** to save the desired margin value.

## Left Margin

This setting allows the user to shift the position of the left margin of the back side of a duplexed page to the left or right. The default margin is 1/4 in.

To adjust this setting:

- 1** From the Diagnostics menu, navigate to:  
**Duplex Tests > Left Margin**
- 2** Change the margin value.  
Each increment corresponds to 4 pels at 600 dpi (0.00666 in. or 0.1693 mm). A more positive offset moves the margin to the right, and a more negative offset moves the margin to the left.
- 3** Press **OK** to save the desired margin value.

## Sensor Test

Use this test to determine if the duplex sensor and switches are working properly.

To run this test:

- 1 From the Diagnostics menu, navigate to:  
**Duplex Tests > Sensor Test**
- 2 **Testing...** appears while the printer is verifying the state of the sensor.  
The control panel displays the current state of the sensor.
- 3 Manually actuate the sensor to make it toggle between **Open** and **Closed**. If the sensor does not toggle, then it is malfunctioning.
- 4 Press **X** to exit the test.

## Duplex Feed 1

This test feeds a blank sheet of paper from Tray 1 to the duplex paper stop position 1. This test can be run using any of the supported paper sizes.

To run this test:

- 1 From the Diagnostics menu, navigate to:  
**Duplex Tests > Duplex Feed 1**  
The power indicator blinks while the paper is feeding, and **Duplex Feed 1 Feeding...** appears. This test cannot be canceled. The panel displays **Duplex Feed 1 Clear Paper** when the paper reaches the duplex paper stop position 1.
- 2 Remove the sheet of paper from the duplex unit, and shut the duplex door.
- 3 Press **X** to clear the message.

## Input Tray Tests

### Feed Tests

This test feeds blank pages through the paper path. It can run using any of the paper or envelope sizes supported by the printer.

To run the Feed test:

- 1 From the Diagnostics menu, navigate to:  
**Input Tray Tests > Feed Tests**
- 2 Choose the input source. All installed sources appear.
- 3 Choose any of the following:
  - **Single**—Feeds a single page.
  - **Continuous**—Continuously feeds pages until **X** is pressed.

## Sensor Test

Use this test to determine if the input tray sensors are working correctly.

- 1 From the Diagnostics menu, navigate to:

**Input Tray Tests > Sensor Test**

- 2 Select the input source. All installed sources appear.

Not all sensors appear for all trays. The following table indicates which tray sensors are available for each input source:

Input source	Tray empty sensor	Pass through sensor
Optional 250-/550-sheet tray	X	✓
Multipurpose feeder	✓	X

- 3 Manually actuate each sensor. The tray empty sensor can be actuated by hand; however, a sheet of paper can be used to cover the pass through sensor.
- 4 Press **X** to exit the test.

## Output Bin Tests

### Feed Tests

This test verifies that media can be fed to a specific output bin. No information is printed on the media.

To run this test:

- 1 From the Diagnostics menu, navigate to:

**Output Bin Tests > Feed Tests**

- 2 Select the output bin into which you want the paper to exit. All installed output bins appear.
- 3 Select one of the following:
  - Single—Feeds a single page.
  - Continuous—Continuously feeds pages until **X** is pressed.

### Sensor Test

This test verifies that the output bin sensors are working correctly.

To run this test:

- 1 From the Diagnostics menu, navigate to:

**Output Bin Tests > Sensor Test > Standard Bin**

**Testing...** appears while the printer is verifying the state of the sensor.

The control panel displays the current state of the sensor.

- 2 Manually actuate the sensor to make it toggle between **empty** and **full**. If the sensor does not toggle, then the sensor is malfunctioning.
- 3 Press **X** to exit the test.

## Base Sensor Test

Use this to determine that the sensors located inside the printer are operating correctly.

The following sensors can be checked using this test:

- Narrow Media
- Input
- Exit/Output
- Front Door



**CAUTION—SHOCK HAZARD:** Do not use your hand to toggle these switches. Use a nonconducting item.

To run the test:

- 1 From the Diagnostics menu, navigate to **Base Sensor Test**.
- 2 Choose a sensor.
- 3 Manually actuate the sensor to verify that it toggles. If the sensor does not toggle, then it is malfunctioning.

Sensor	Values
Input	Open
Exit/Output	Closed
Front Door	
Narrow Media	Narrow Wide

- 4 Press **X** to exit the test.

## Device Tests

### Flash Test

This test verifies the condition of the flash device by writing data to it and then reading data from it.

**Warning—Potential Damage:** This test deletes all data on the flash device.

- 1 From the Diagnostics menu, navigate to:  
**DEVICE TESTS > Flash Test**
- 2 **Files will be lost. Go/Stop?** appears.
- 3 Do any of the following:
  - Press **OK** to continue.
  - Press **X** to cancel.
- 4 When the test starts, **Flash Test Testing...** appears. The test cannot be stopped or canceled after it has begun.
- 5 After the test is complete, a message appears indicating a pass or fail result.
- 6 Press **X** to return to the Device tests menu.
- 7 Reformat the flash device using the Flash format setting in the Utilities menu.



## Printer Setup

### Defaults

**Warning—Potential Damage:** Modification of the printer setting defaults causes the NVRAM space to be restored to the printer factory settings.

This setting is used by the printer to determine whether US or non-US factory default values should be used. The following printer settings have different US and non-US values:

Printer default values	US value	Non-US value
Paper sizes setting in the General settings menu	U.S.	Metric
Default paper size (paper feeding sources which do not have hardware size-sensing capabilities)	Letter	A4
Default envelope size (envelope feeding sources which do not have hardware size-sensing capability)	10 Envelope	DL Envelope
Fax media size	Letter	A4
PCL symbol set	PC-8	PC-850
PPDS code page	437	850
Universal units of measure	Inches	Millimeters

To change this setting:

- 1 From the Diagnostics menu, navigate to:  
**Printer Setup > Defaults**
- 2 Choose U.S. or Non-U.S.
- 3 Do any of the following:
  - Press **OK** to save any changes.
  - Press **X** to return to the Printer setup menu.

### Page Count

The value of this setting gauges the amount of usage on the printer. The value of the Page count setting will equal the values of the Picked sides meter.

**Note:** The value of the setting cannot be changed.

### Perm Page Count

The value of this setting indicates the total amount of pages that have been printed.

**Note:** The value of this setting cannot be changed.

### Processor ID

This is a 16-digit hexadecimal value representing the ID of the processor on the controller card.

## Engine Setting [x]

These settings are used by Engine code ECs to fix field problems. The value of [x] is any value from 1 to 16.

## Edge to Edge

When set to On, this shifts all four margins (top, bottom, left, and right) to the physical edge of the page (printable area of a supported paper size).

## Par 1 Strobe Adj

This enables the user to adjust the amount of time the strobe is sampled to determine if valid data is available on the parallel port.

Each time this value is increased by 1, the strobe is sampled 50 ns longer. Each time this value is decreased by 1, the strobe is sampled 50 ns less. When the value of this setting is 0, the factory default value is used to determine the amount of time the strobe is sampled.

## EP Setup

### EP Defaults

This setting restores each printer setting listed in EP setup to its factory default value. Sometimes this is used to help correct print quality problems.

To restore the EP defaults:

- 1 From the Diagnostics menu, navigate to:  
**EP Setup > EP Defaults**
- 2 Select **Restore**.

### Fuser Temp

This setting adjusts the fuser temperature to solve problems with paper curl on low grade paper and/or melting of letterhead on some papers.

To adjust this setting:

- 1 From the Diagnostics menu, navigate to:  
**EP Setup > Fuser Temp**
- 2 Press **OK** to save any changes.

## Transfer Adjust

This setting controls the transfer roll algorithm.

To adjust this setting:

- 1 From the Diagnostics menu, navigate to:  
**EP Setup > Transfer Adjust**
- 2 Press **OK** to save any changes.

## Print Contrast

This setting controls the developer voltage offset.

To adjust this setting:

- 1 From the Diagnostics menu, navigate to:  
**EP Setup > Print Contrast**
- 2 Press **OK** to save any changes.

## Charge Roll

This setting controls the charge roll voltage.

To adjust this setting:

- 1 From the Diagnostics menu, navigate to:  
**EP Setup > Charge Roll**
- 2 Press **OK** to save any changes.

## Gap Adjust

This setting adjusts the minimum gap between sheets. Increasing this value may reduce curl of some printed media and eliminate some output bin stacking problems. However, increasing this value also results in slower overall performance, measured in pages per minute.

The range of values is 0 to 255, and the default value is 0.

To adjust this setting:

- 1 From the Diagnostics menu, navigate to:  
**EP Setup > Gap Adjust**
- 2 Press **OK** to save any changes.

## Auto Dark Adj

When activated, this setting attempts to optimize the amount of toner used when printing with a specific operating point.

Each time this setting executes, the printer performs the following:

- Calibrates its toner density sensor
- Measures the reflectivity of its bare drum
- Prints patches on the drum and measures the reflectivity of the drum through the patches
- Cleans the transfer roll
- Calculates reflectivity ratios and operating points to attain the darkness target of each operating point
- Modifies the EP mechanism as necessary to adjust toner darkness

The cartridge smart chip controls how often this process executes.

**Note:** No messages are displayed on the control panel to give any indication that this test is running. The device stores the results of its most recent process in the Auto dark adj field on the Menu settings page report.

When deactivated, the printer disables and never executes this process.

To adjust this setting:

- 1 From the Diagnostics menu, navigate to:  
**EP Setup > Auto Dark Adj**
- 2 Choose **Enable** or **Disable**.
- 3 Press **OK** to save any changes.

## Reports

### Menu Settings Page

This prints the Menu settings page which contains the Diagnostics menu settings and their current values.

### Installed Licenses

This prints a report containing the installed licenses.

### Event Log

#### Display Log

This version of the Event log displays the panel text that appeared when the event occurred.

To view the Event log:

- 1 From the Diagnostics menu, navigate to:  
**Event Log > Display Log**
- 2 Use the arrow buttons to navigate through the entries.

#### Print Log

Additional diagnostic information is available when the event log is printed. The first page of the report shows the general device information.

The specific events that appear in the report vary depending on the operational history of the printer. Logs may be printed from the following events:

- Job accounting log failures
- NV reset failures
- NV mirror entries
- 9yy and 1yy (print engine) service error entries
- Programming error entries
- Maintenance count reset entries
- Clear log entries
- Paper jam entries
- Firmware update entries
- JFFS2 partition format entries
- USB setup pkt info entries
- Supply event entries

To print the Event log:

From the Diagnostics menu, navigate to **Event Log > Print Log**.

## Clear Log

Use this to remove all the current information in the Event log. This affects both the viewed log and the printed log information.

To clear the event log:

**1** From the Diagnostics menu, navigate to:

**Event Log > Clear Log**

**2** Choose any of the following:

- Yes—To clear the Event log
- No—To exit the Clear log menu

## Exit Diags

Select this to exit the Diagnostics menu. The printer performs a POR and restarts in normal mode.

## Configuration menu

The Configuration menu group consists of menus, settings, and operations that are used to configure a printer for operation.

### Entering the Configuration menu

- 1** Turn off the printer.
- 2** Press and hold **OK** and **▶**.

- 3 Turn on the printer.
- 4 Release the buttons when a line of dots appears.

## Factory Defaults

This restores the printer's settings to the network settings (on network models only) or to the base printer settings.

### Restore Base

**Warning—Potential Damage:** This operation cannot be undone.

This restores all non-critical base device NVRAM settings to their factory default settings.

### Restore STD NET

**Warning—Potential Damage:** This operation cannot be undone.

This restores all network NVRAM settings. The printer immediately performs a POR and restores the appropriate settings to their factory default values. This option is available only on models with an integrated network adapter.

## Reports

### Menu Settings Page

This prints the Menu settings page which contains the Configuration menu settings and their current values.

### Event Log

Additional diagnostic information is available when the event log is printed. The first page of the report shows the general device information.

The specific events that appear in the report vary depending on the operational history of the printer. Logs may be printed from the following events:

- Job accounting log failures
- NV reset failures
- NV mirror entries
- 9xx and 1xx (print engine) service error entries
- Programming error entries
- Maintenance count reset entries
- Clear log entries
- Paper jam entries
- Firmware update entries
- JFFS2 partition format entries
- USB setup pkt info entries
- Supply event entries

To print the Event log:

From the Configuration menu, navigate to **Reports > Event Log**.

## Tray Linking

This feature links all trays with the same paper size and type. When a tray becomes empty, the printer will feed paper from the linked tray.

Available options:

- On
- Off

## Panel Menus

This enables or disables the control panel menus.

Available options:

- On—Menus enabled
- Off—Menus disabled

## PPDS Emulation

The value of this option determines if a printer can recognize and use the PPDS data stream.

Available options:

- Deactivate
- Activate

## Print Quality Pages

This prints a report that contains a limited set of the information that appears in the Diagnostics menu version of the Print quality pages report.

## A5 Loading

This determines the orientation used when printing on A5 paper.

Available options:

- Long Edge—The printer will print A5-size paper in the long-edge feed orientation from all trays.
- Short Edge—The printer will print A5-size paper in the short-edge feed orientation from all trays.

## Reduced Curl

When on, this setting significantly reduces throughput and should be activated only as a last resort to solve paper curl problems. The printer uses this mode only when the media type is set to Paper.

Available options:

- Off
- On

## Safe Mode

The settings for this menu item are On and Off (default). When enabled, Safe Mode lets the printer operate in a special limited mode in which it attempts to continue offering as much functionality as possible despite known issues.

Available options:

- On
- Off

## Demo Mode

Demo mode is often used in retail environments to highlight printer capabilities. The printer stores demonstration files in the resident demo file of the base RIP firmware and in any supported optional memory devices.

When this mode is activated, the printer ignores all print jobs sent to it other than the demo file selected by the user. Each demo file consists of one or more printed pages.

Available options:

- Activate—The printer boots into Demo mode after each power cycle.
- Deactivate—The printer boots into normal mode.

To print a demo file:

- 1 Activate Demo mode, and then POR the printer.
- 2 Select a demo file from the displayed list, and then press **OK** to print.

## Energy Conserve

This affects the values that appear in the Power saver setting in General settings menu.

Available options:

- Off—The Power saver menu displays a Disabled setting. When selected, it disables the Power saver feature.
- On—Disabled does not appear in the Power saver menu. The user cannot disable the Power saver feature.

## Wipe All Settings

This makes any sensitive information that may exist on the volatile or non-volatile storage of the device completely indecipherable. When selected, the printer performs a non-critical NVRAM reset and then reboots.

## Font Density

This creates microscopic holes in all black text. The holes save toner by reducing overlapping toner.

Available options: 1 to 5



## Font Sharpening

This allows a user to set a text point-size value below which the high-frequency screens will be used when printing font data.

Available options:

- Off
- On

## USB Speed

This setting is used to set the throughput of the USB port on the printer.

Available options:

- Auto
- Full—Forces the USB port to run at full speed and also disables its high-speed capabilities.

## USB PnP

In some cases, the USB port at the back of the printer may be incompatible with the chipset in a user's PC. This setting lets the user change the USB driver mode to improve its compatibility with these PCs.

Available options:

- 1
- 2

## Exit Config Menu

Select this to exit the Configuration menu. The printer performs a POR and restarts into normal mode.

## Entering Invalid engine mode

This mode is used if the printer has an invalid code and needs the correct code loaded. After entering this mode, the firmware code can be updated.

- 1 Turn off the printer.
- 2 Press and hold the Back button and ◀.
- 3 Turn on the printer.
- 4 Release the buttons when a line of dots appears.

## Entering Recovery mode

This mode will allow the printer to boot from a secondary set of instructions to allow a code flash to the printer. Code can be flashed from a PC using a USB connection.

- 1 Turn off the printer.
- 2 Press and hold the **Back** button and **OK**.

- 3 Turn on the printer.
- 4 Release the buttons when a line of dots appears.

## Accessing the Network SE menu

This menu contains settings for fine tuning the communication settings for the network interfaces and protocols.

- 1 Navigate to:  
**Networks/Ports > Standard Network > Standard Network Setup.**
- 2 Press and hold ◀ and ▶ simultaneously.

## Service engineer menu

### Accessing the service engineer (SE) menu

From a Web browser on a host PC, add `/se` to the printer IP address.

### Service engineer (SE) menu

This menu should be used as directed by the next level of support.


Top level menu	Intermediate menu
Print SE Menus	
General	Copyright — Displays copyright information
Code Revision Info	<ul style="list-style-type: none"> <li>• Network code level — Displays network code level</li> <li>• Network Compile Info — Displays network compile information</li> <li>• Printer Code Level — Displays printer code information</li> <li>• Printer Compile Info — Displays compile information</li> </ul>
History	<ul style="list-style-type: none"> <li>• Print History</li> <li>• Mark History</li> <li>• History Mode</li> </ul>
MAC	<ul style="list-style-type: none"> <li>• Set Card Speed</li> <li>• LAA</li> <li>• Keep Alive</li> </ul>
NVRAM	<ul style="list-style-type: none"> <li>• Dump NVRAM</li> <li>• Reinit NVRAM</li> </ul>

Top level menu	Intermediate menu
TCP/IP	<ul style="list-style-type: none"><li>• netstat-r</li><li>• arp-a</li><li>• Allow SNMP Set</li><li>• MTU</li><li>• Meditech Mode</li><li>• RAW LPR Mode</li><li>• Gather Debug</li><li>• Enable Debug</li></ul>



# Repair information

## Removal precautions

 **CAUTION—SHOCK HAZARD:** For personal safety and to prevent damage to the printer, remove the power cord from the electrical outlet before you connect or disconnect any cable, electronic board or assembly.

## Data security notice

- 1 This printer contains various types of memory that are capable of storing device and network settings, information from embedded solutions, and user data. The types of memory, along with the types of data stored by each, are described below.
  - **Volatile memory**—This device utilizes standard Random Access Memory (RAM) to temporarily buffer user data during simple print and copy jobs.
  - **Non-volatile memory**—This device may utilize two forms of non-volatile memory: EEPROM and NAND (flash memory). Both types are used to store the operating system, device settings, network information, scanner and bookmark settings, and embedded solutions.
  - **Hard disk memory**—Some devices have a hard disk drive installed. The printer hard disk is designed for device-specific functionality and cannot be used for long term storage for data that is not print-related. The hard disk does not provide the capability for users to extract information, create folders, create disk or network file shares, or transfer FTP information directly from a client device. The hard disk can retain buffered user data from complex print jobs, as well as form data and font data.

To erase volatile memory, turn off the printer.

To erase non-volatile memory, see the menu item under [“Configuration menu” on page 141](#) pertaining to this.

To erase the printer hard disk, see the menu item under [“Configuration menu” on page 141](#) pertaining to this.

The following parts are capable of storing memory:

- printer control panel
- UICC (User Interface Controller Card)
- controller board
- optional hard drives

**Note:** The printer control panel and controller board contain NVRAM.

- 2 After removing the old part, it must be returned to your next level of support.


## Handling ESD-sensitive parts

Many electronic products use parts that are known to be sensitive to electrostatic discharge (ESD). To prevent damage to ESD-sensitive parts, use the following instructions in addition to all the usual precautions, such as turning off power before removing logic boards:

- Keep the ESD-sensitive part in its original shipping container (a special “ESD bag”) until you are ready to install the part into the machine.
- Make the least-possible movements with your body to prevent an increase of static electricity from clothing fibers, carpets, and furniture.
- Put the ESD wrist strap on your wrist. Connect the wrist band to the system ground point. This discharges any static electricity in your body to the machine.
- Hold the ESD-sensitive part by its edge connector shroud (cover); do not touch its pins. If you are removing a pluggable module, use the correct tool.
- Do not place the ESD-sensitive part on the machine cover or on a metal table; if you need to put down the ESD-sensitive part for any reason, first put it into its special bag.
- Machine covers and metal tables are electrical grounds. They increase the risk of damage, because they make a discharge path from your body through the ESD-sensitive part. (Large metal objects can be discharge paths without being grounded.)
- Prevent ESD-sensitive parts from being accidentally touched by other personnel. Install machine covers when you are not working on the machine, and do not put unprotected ESD-sensitive parts on a table.
- If possible, keep all ESD-sensitive parts in a grounded metal cabinet (case).
- Be extra careful while working with ESD-sensitive parts when cold-weather heating is used, because low humidity increases static electricity.

## Controller board/control panel replacement

This procedure should be followed only if both the controller board and the control panel fail. If you need to replace only one of the FRUs, follow the startup procedure described in the FRU’s removal procedure.

 **CAUTION—POTENTIAL INJURY:** The lithium battery in this product is not intended to be replaced. There is a danger of explosion if a lithium battery is incorrectly replaced. Do not recharge, disassemble, or incinerate a lithium battery. Discard used lithium batteries according to the manufacturer's instructions and local regulations.

**Warning—Potential Damage:** If the control panel and the controller board are being replaced at the same time, replace the parts in this order to avoid damage to the machine.

- 1 Replace the controller board first.

**Note:** Do not replace the new control panel and controller board in the machine at the same time.

- 2 After installing the new controller board, and before installing the new control panel, start the printer into diagnostics mode.

- 3 After the printer has completed startup, turn off the printer and replace the control panel.

**Note:** If the control panel display has failed, the printers’ startup cycle is complete when the driver motor and fans shut down, and the machine is quiet.

- 4 After installing the new control panel, start the printer into diagnostics mode, and allow the printer to go through a complete startup cycle and the display to go to Ready.
- 5 If the problems persist, leave the new control panel in the machine, place the old controller board back in the machine, and start it up. After the machine startup, shut down the machine, and install the new controller board. After installing the new controller board, restart the machine, and let it go through the startup cycle.

After this procedure is completed successfully, there is no need to adjust any settings.

If the above procedure fails, you must contact the technical support center for further instructions.

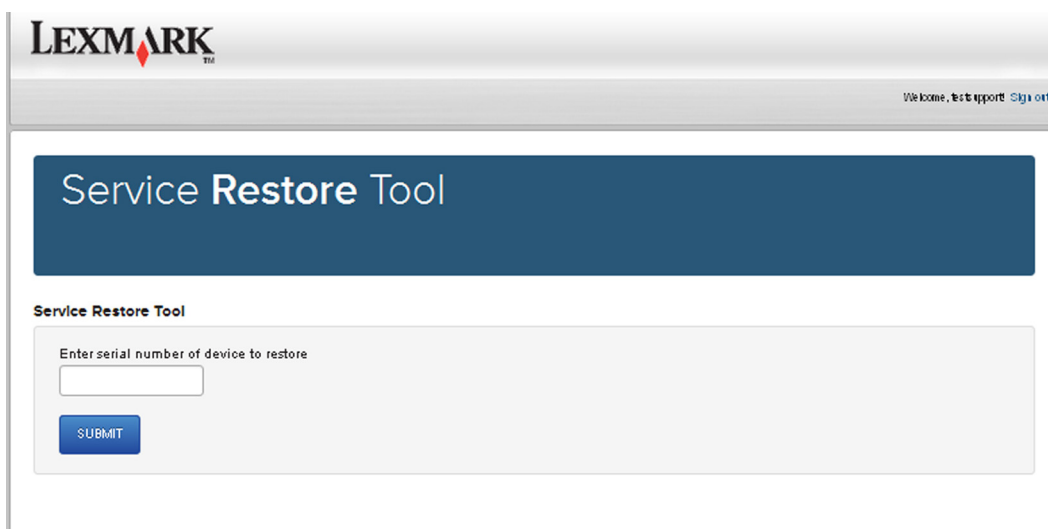
## Restoring the printer configuration after replacing the controller board

Restore the printer to its correct configuration to complete the replacement service. Use the Service Restore Tool to download the software bundle, and then flash the printer settings and embedded solutions.

**Note:** The software bundle contains the latest version of the firmware, applications, and software licenses from the Lexmark Virtual Solutions Center (VSC). The printer firmware may be at a different level from what was used before replacing the controller board.

### Using the Service Restore Tool

- 1 Go to <https://cdp.lexmark.com/service-restore-tool/> to access the tool.
- 2 Log in using your Lexmark or partner login.  
If your login fails, then contact your next level of support.
- 3 Enter the printer serial number, and then submit the information.



The screenshot shows the Lexmark Service Restore Tool web interface. At the top left is the Lexmark logo. At the top right, it says "Welcome, test support! Sign out". The main heading is "Service Restore Tool". Below this, there is a section titled "Service Restore Tool" with a form. The form contains the text "Enter serial number of device to restore" above a text input field. Below the input field is a blue "SUBMIT" button.

**Note:** Make sure that the serial number that appears on the verification screen is correct.

The screenshot shows the Lexmark Service Restore Tool web interface. At the top left is the Lexmark logo. At the top right, it says "Welcome, test support Sign out". The main heading is "Service Restore Tool". Below this, there is a section titled "Service Restore Tool" containing the following information:

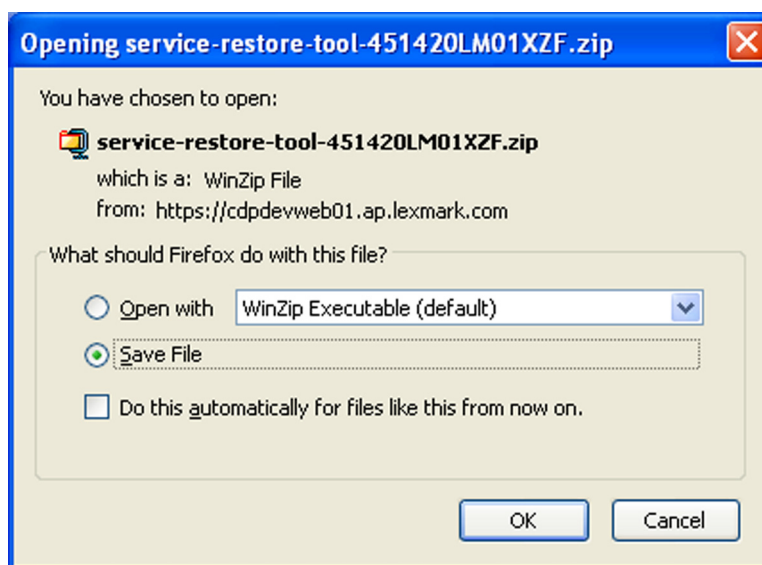
Model Name: Lexmark MS410dn  
 Serial Number: 451420LM01XZF

If this information is correct, click "Submit" to begin generating your restore package.

There are two buttons: "BACK" and "SUBMIT".

#### 4 Save the zip file.

**Note:** Make sure that the serial number in the zip file matches the serial number of the printer being restored.

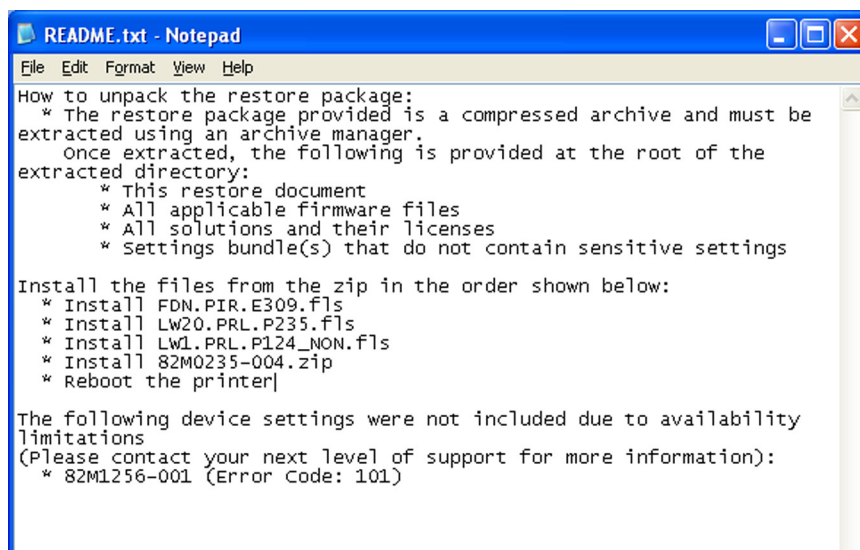


#### 5 Extract the contents of the zip file, open the *Readme* file, and then follow the instructions in the file.

##### Notes:

- Perform the install instructions on the *Readme* file in the exact order shown. Only restart the printer when instructed to in the file.
- For more information on how to flash the downloaded files, see [“Updating the printer firmware” on page 155](#).
- To load the zip files that are extracted from the Service Restore Tool, see [“Restoring solutions, licenses, and configuration settings” on page 154](#).





```
README.txt - Notepad
File Edit Format View Help
How to unpack the restore package:
* The restore package provided is a compressed archive and must be
extracted using an archive manager.
  once extracted, the following is provided at the root of the
extracted directory:
  * This restore document
  * All applicable firmware files
  * All solutions and their licenses
  * Settings bundle(s) that do not contain sensitive settings

Install the files from the zip in the order shown below:
* Install FDN.PIR.E309.fls
* Install Lw20.PRL.P235.fls
* Install Lw1.PRL.P124_NON.fls
* Install 82M0235-004.zip
* Reboot the printer]

The following device settings were not included due to availability
limitations
(Please contact your next level of support for more information):
* 82M1256-001 (Error Code: 101)
```

- 6 After performing the installation instructions in the *Readme* file, confirm from the customer if all the eSF apps have been installed.

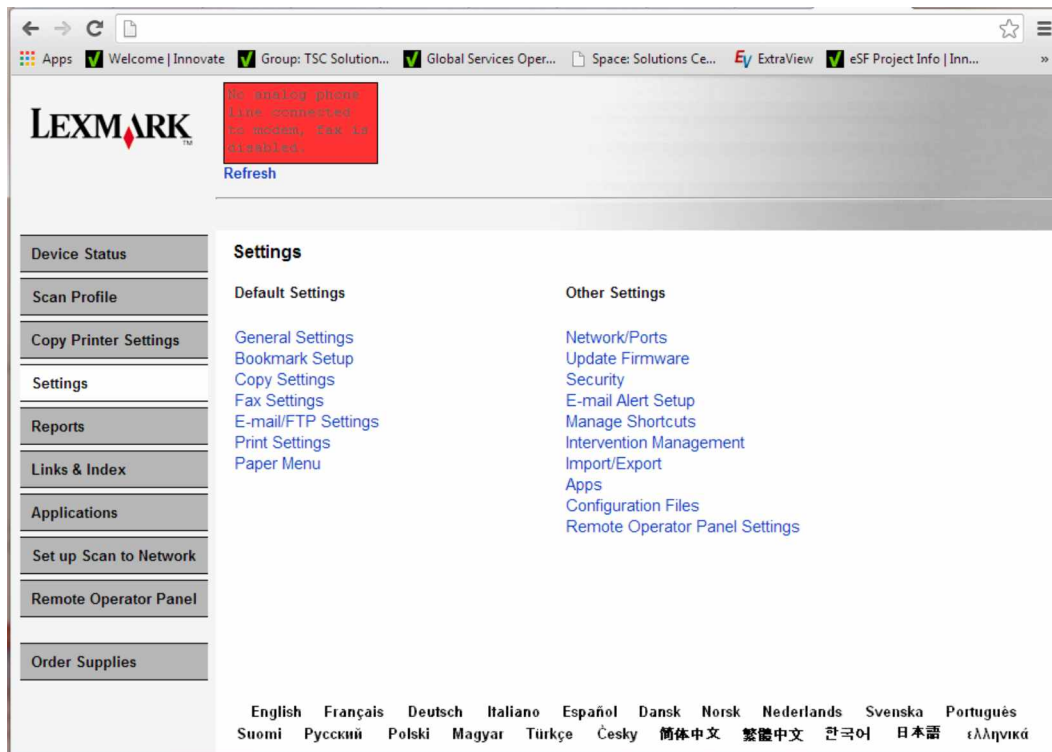
**Notes:**

- If you are unable to access the administrative menus to verify that the printer is restored, then ask the customer for access rights.
- If a 10.00 error is displayed after you restart the printer, then contact the next level of support.

## Restoring solutions, licenses, and configuration settings

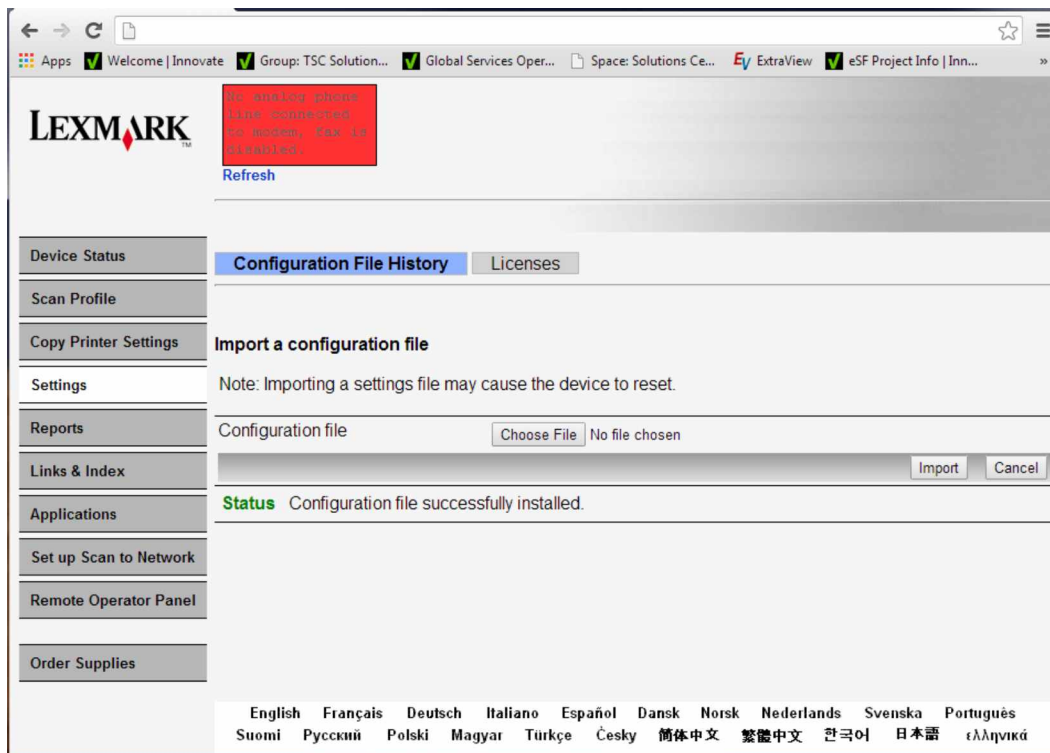
To load the zip files that are extracted from the Service Restore Tool, do the following:

- 1 Open a Web browser, and then type the printer IP address.
- 2 Navigate to **Settings > Configuration Files**.



- 3 From the Configuration File History tab, navigate to **Import > Choose File**.
- 4 Select the zip file from the expanded Service Restore Tool package.

## 5 Click **Import**.



## 6 Repeat steps 3 through 5 for the other zip files that are included in the expanded zip file.

## Updating the printer firmware

**Warning—Potential Damage:** Before updating the printer firmware, ask the next level of support for the correct code. Using an incorrect code level may damage the printer.

The printer must be in ready state in order to update the firmware.

### Using a flash drive

This option is available only in printer models with front USB port.

Make sure to enable the Enable Drive and Update Code settings. You can find the settings in the Flash drive menu under the Settings menu.

- 1 Insert the flash drive into the USB port.
- 2 From the home screen, navigate to **USB Menu: Print from USB > Accept** or **OK**.
- 3 Select the file that you need to flash.

**Note:** Do not turn off the printer while the update is going on.

## Using a network computer

### Using the File Transfer Protocol (FTP)

Make sure that the printer is in ready state before flashing the printer.

- 1 Turn on the printer.
- 2 Obtain the IP address:
  - From the home screen
  - From the TCP/IP section of the Network/Ports menu
- 3 From the command prompt of a network computer, open an FTP session to the printer IP address.
- 4 Use a PUT command to place the firmware file on the printer.  
The printer performs a POR sequence and terminates the FTP session.
- 5 Repeat steps 2 through 4 for the other files.

### Using the Embedded Web Server

Make sure that the printer is in ready state before flashing the printer.

- 1 Open a Web browser, and then type the printer IP address.
- 2 From the home page, navigate to **Configuration > Update Firmware**.
- 3 Select the file to use.  
The printer performs a POR sequence and terminates the FTP session.
- 4 Repeat steps 2 through 4 for the other files.

## Ribbon cable connectors

### Zero Insertion Force (ZIF) connectors

Zero Insertion Force (ZIF) connectors are used on the boards and cards used in this printer. Before inserting or removing a cable from these connectors, read this entire section. Great care must be taken to avoid damaging the connector or cable when inserting or removing the cable.

**Warning—Potential Damage:** Do not insert the cable so that the contacts are facing the locking actuator. The contacts always face away from the actuator.

**Warning—Potential Damage:** Do not insert the cable diagonally into the ZIF socket. This can cause damage to the contacts on the cable.

**Warning—Potential Damage:** Avoid using a fingernail, or sharp object to open the locking mechanism. This could damage the cable.

**Warning—Potential Damage:** Avoid pressing against the cable when opening the locking mechanism. This can also damage the cable.

These are the types of ZIF connectors used in this printer:

- Horizontal top contact connector
- Horizontal bottom contact connector

- Vertical mount contact connector
- Horizontal sliding connector

## Horizontal top contact connector

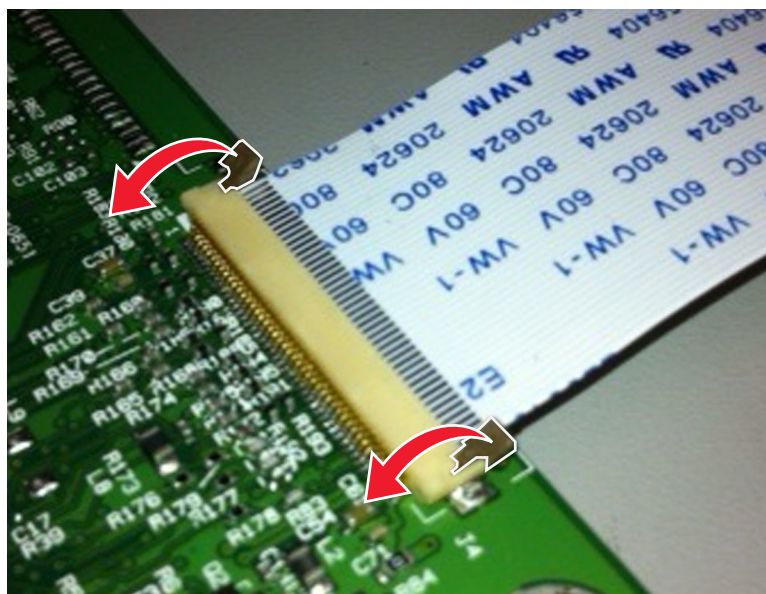
This FRU contains a horizontal top contact cable connector. Read the instructions before proceeding.

The horizontal top contact connector uses a back flip locking actuator to lock the ribbon cable into the Zero Insertion Force (ZIF) connector. The cable is inserted horizontally into the connector.

**Warning—Potential Damage:** When opening or closing this type of actuator, gently lift or close the two tabs located on each end of the actuator. The two tabs should be moved simultaneously. Do not close the actuator from the center of the actuator.

### Removing a cable from the horizontal top contact connector

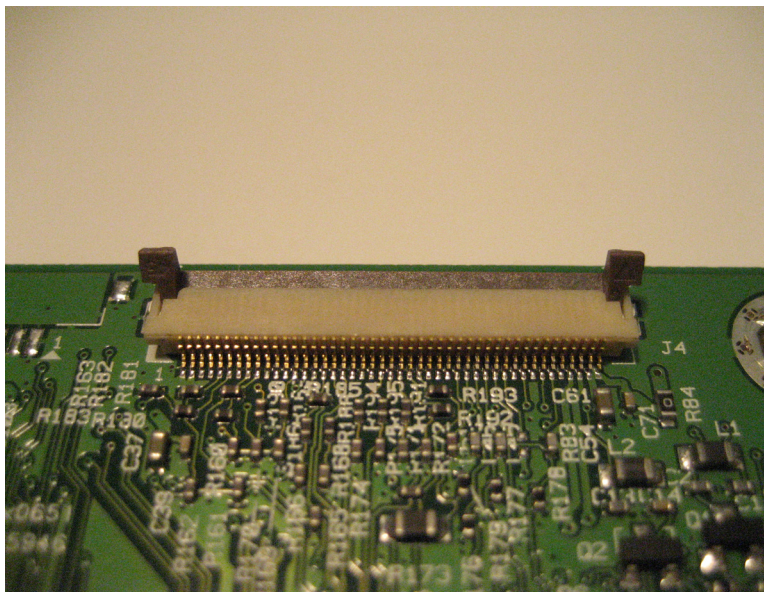
- 1 Place a finger at each end of the locking actuator, and then gently lift the actuator to the unlocked position.



- 2 Slide the cable out of the connector.

### Inserting a cable into the horizontal top contact connector

- 1 When installing the cable, check the locking actuator to ensure it is in the unlocked position. The tabs on the ends of the actuator are vertical when the actuator is unlocked.

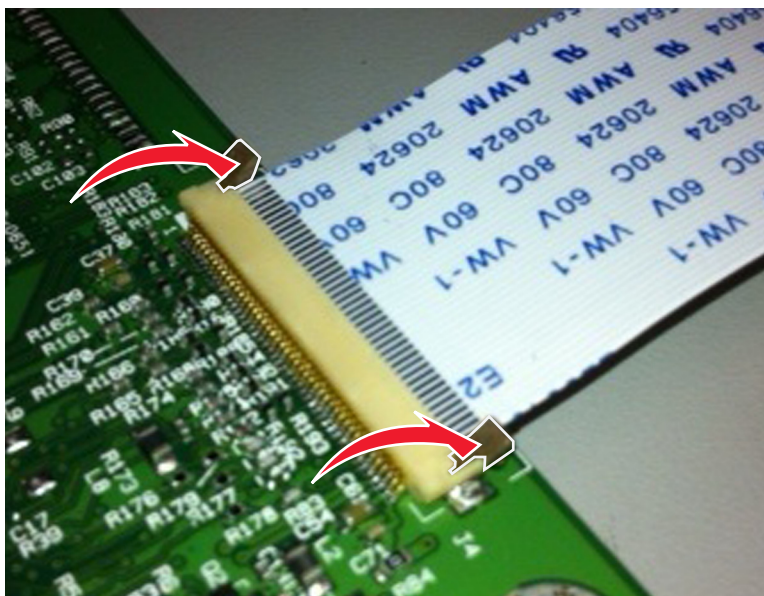


- 2 Insert the cable with the contacts on the cable facing up. Insert the cable on top of the actuator.

**Note:** Verify that the cable is installed squarely into the connector. If the cable is not squarely installed, then intermittent failures could occur.



- 3 Rotate the locking actuator to the locked position. The cable should not move while this step is performed. If the cable moves, open the actuator, reposition the cable, and then close the actuator to the down position.



## Horizontal bottom contact connector

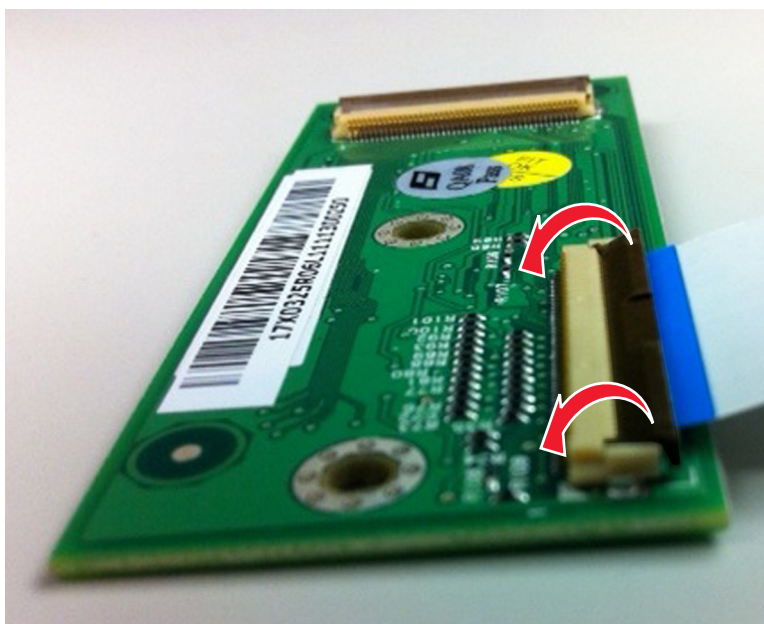
This FRU contains a horizontal bottom contact cable connector. Read the instructions before proceeding.

The horizontal bottom contact connector uses a flip locking actuator to lock the ribbon cable into the Zero Insertion Force (ZIF) connector. The cable is inserted horizontally into the connector.

**Warning—Potential Damage:** When opening or closing this type of actuator, gently lift the center of the actuator using your finger. Do not use a fingernail or screwdriver to open the actuator. This could damage the ribbon cable. Do not close the actuator from the ends of the actuator.

### Removing a cable from the horizontal bottom contact connector

- 1 Place two fingers towards each end of the locking actuator, and then gently lift the actuator to the unlocked position.



- 2 Slide the cable out of the connector.



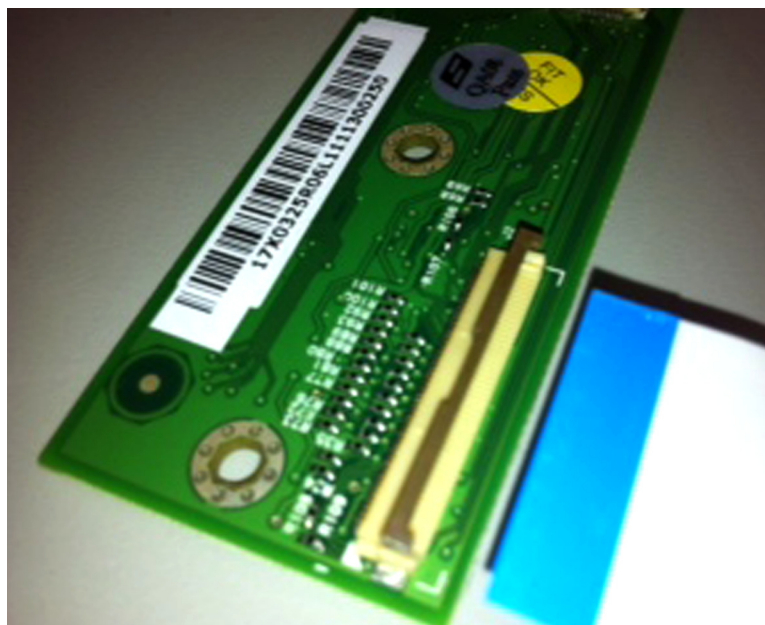
### Inserting a cable into the horizontal bottom contact connector

- 1 Check the actuator to verify it is in the open position.

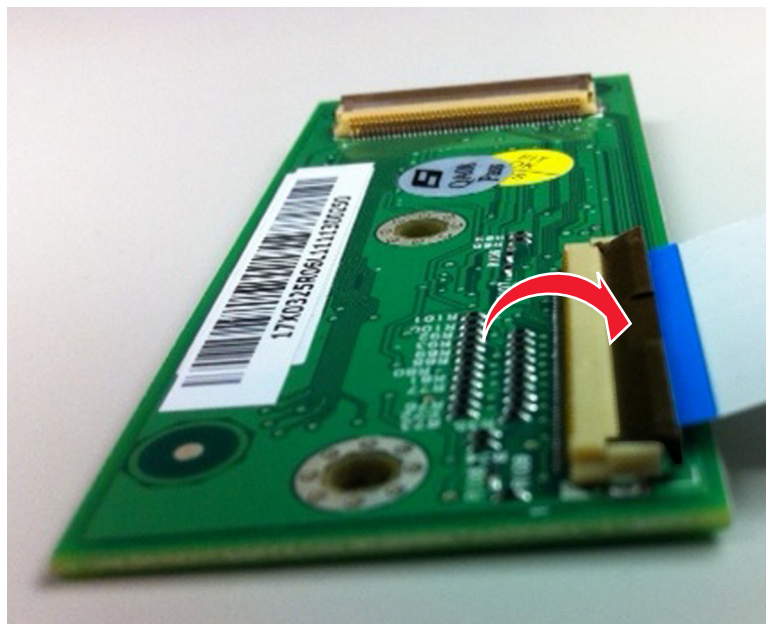


- 2 Insert the cable into the ZIF connector with the contacts facing downward and away from the locking actuator. The cable needs to be inserted below the actuator.

**Note:** Verify that the cable is installed squarely into the connector. If the cable is not squarely installed, then intermittent failures could occur.



- 3 Place your finger in the middle of the actuator, and then rotate the locking actuator to the locked position.



## Vertical mount contact connector

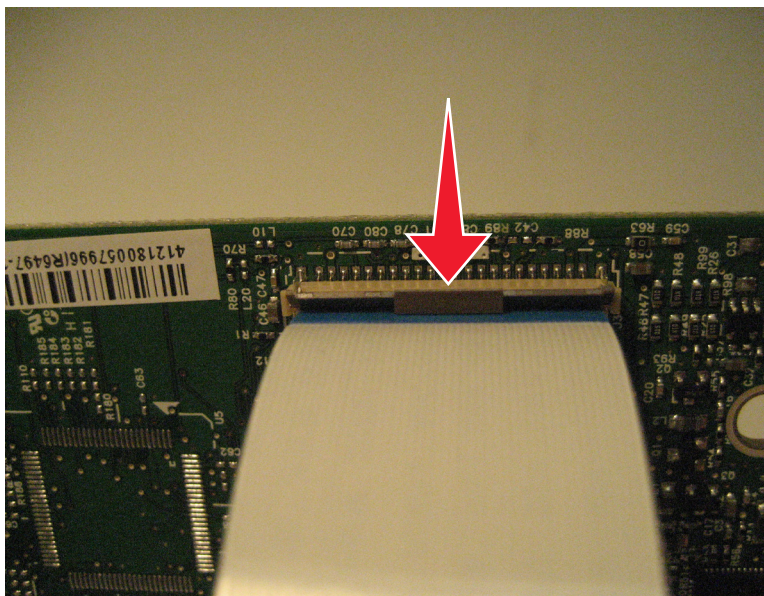
This FRU contains a vertical mount contact connector. Read the instructions before proceeding.

The vertical mount contact connector uses a back flip locking actuator to lock the ribbon cable into the Zero Insertion Force (ZIF) connector. The cable is inserted vertically into the connector.

**Warning—Potential Damage:** When opening or closing this type of actuator, gently lift the center of the actuator using your finger. Do not use a fingernail or screwdriver to open the actuator. This could damage the ribbon cable. Do not close the actuator from the ends of the actuator.

### Removing a cable from the vertical mount contact connector

- 1 Gently rotate the locking actuator from the center of the actuator to the unlocked position.



- 2 Slide the cable out of the connector.

### Inserting a cable into the vertical mount contact connector

- 1 When installing the cable, check the locking actuator to verify it is in the open position.

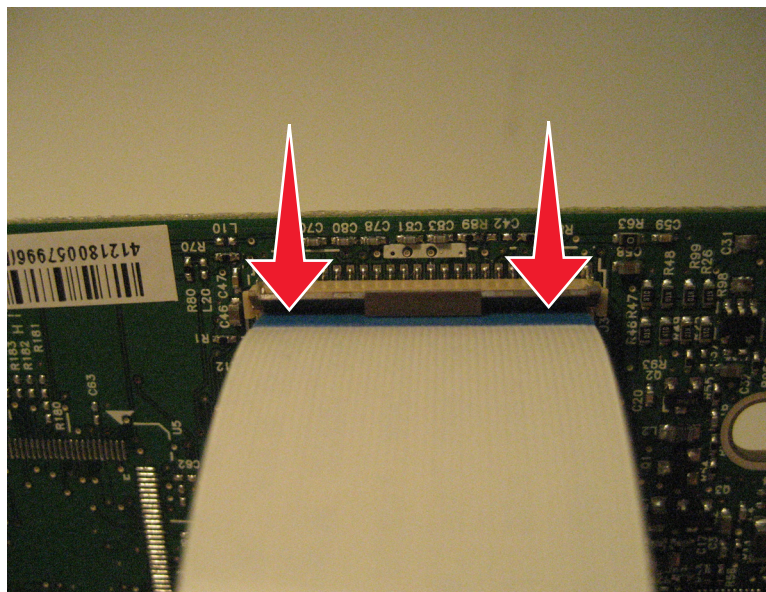


- 2 Insert the cable with the contacts on the cable away from the locking actuator. Insert the cable on top of the actuator.

**Note:** Verify that the cable is installed squarely into the connector. If the cable is not squarely installed, then intermittent failures could occur.



- 3 Rotate the locking actuator to the locked position by pressing down on both ends of the actuator. The cable should not move when this step is performed. If the cable moves, open the actuator, reposition the cable, and then close the actuator to the down position.



## Horizontal sliding contact connector

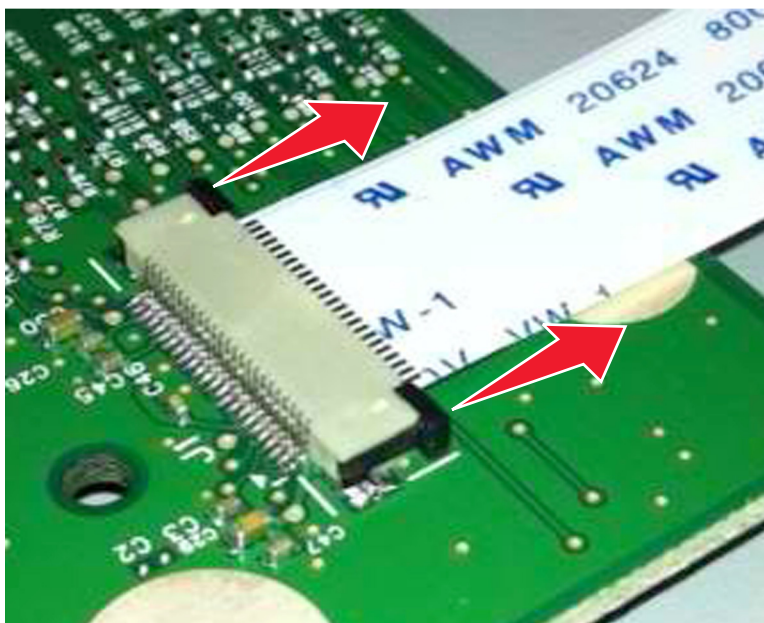
This FRU contains a horizontal sliding contact connector. Read the instructions before proceeding.

The horizontal sliding contact connector uses a slide locking actuator to lock the ribbon cable into the Zero Insertion Force (ZIF) connector. The cable is inserted horizontally into the connector.

**Warning—Potential Damage:** When opening or closing this type of actuator, gently push or pull the two tabs located on each end of the actuator. Do not close the actuator from the center of the actuator. Do not use a screwdriver to open or close the actuator. Damage to the cable or connector could occur.

### Removing a cable from the horizontal sliding contact connector

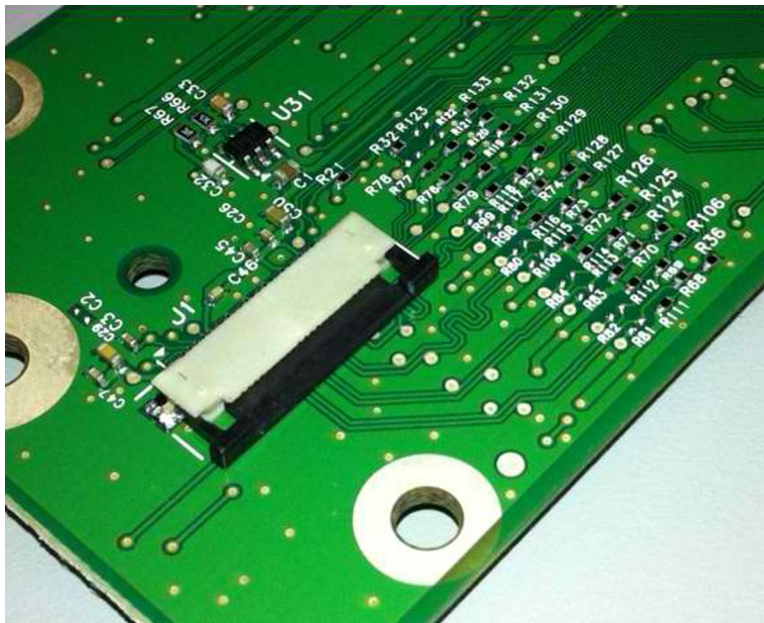
- 1 Simultaneously slide the two tabs located on the ends of the locking actuator away from the connector.



- 2 Slide the cable out of the connector.

### Inserting a cable into the horizontal sliding contact connector

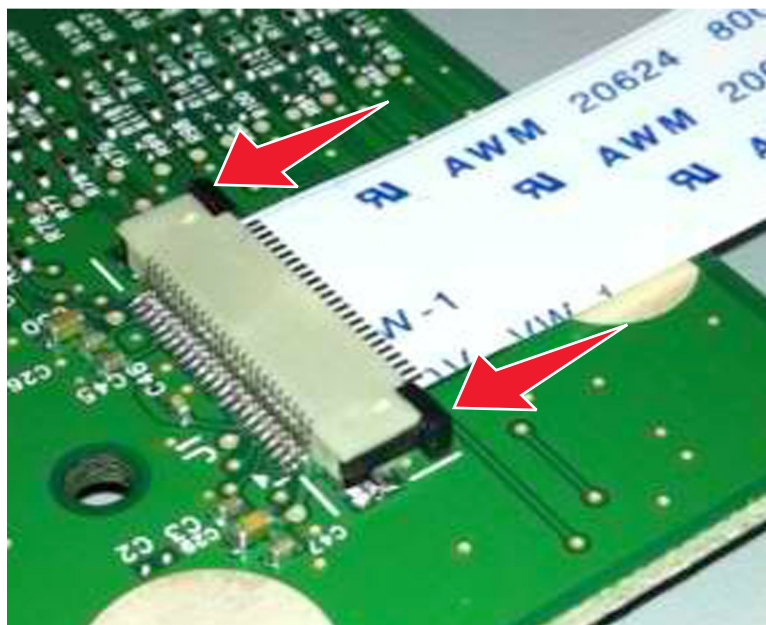
- 1 When installing the cable, check the locking actuator to verify it is in the open position. If you are opening the connector, pull back on both end tabs using equal force to avoid breaking the connector.



- 2 Insert the cable with the contacts on the cable facing away from the locking actuator. Insert the cable on top of the actuator.



- 3 Slide the locking actuator towards the connector, locking the cable into place. The cable should not move when this step is performed. If the cable moves, open the actuator, reposition the cable, and then close the actuator to the down position.





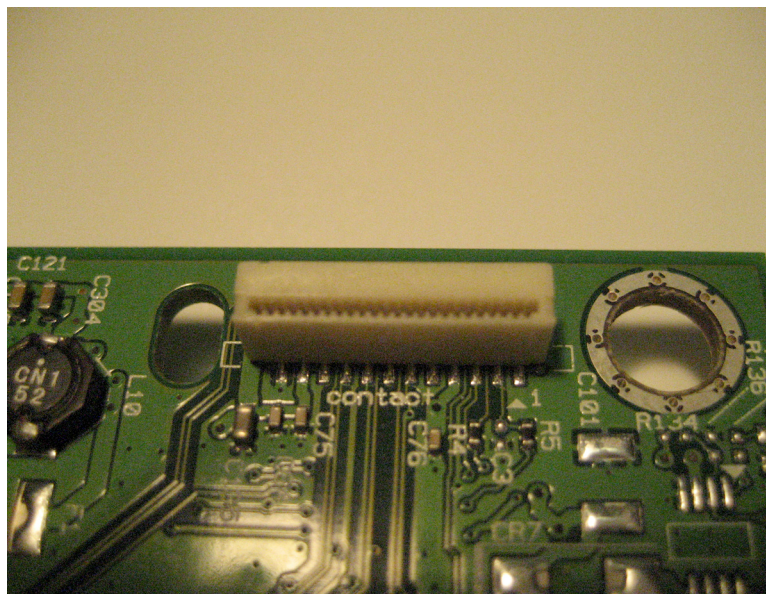
## Low Insertion Force (LIF) connector

This FRU contains a Low Insertion Force (LIF) connector. Read the instructions before proceeding.

**Warning—Potential Damage:** When installing a cable into an LIF connector, care must be taken to avoid bending the edges of the cables and damaging the contacts on the cables.

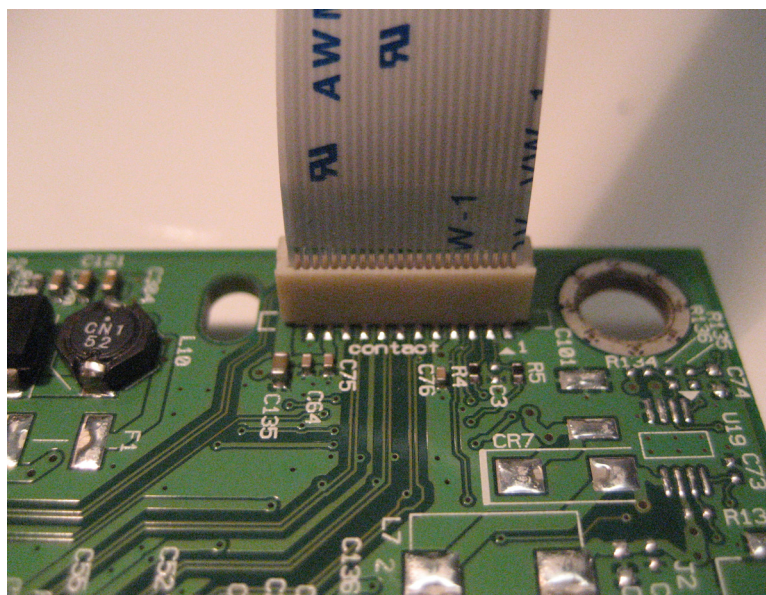
### Inserting a cable into the LIF connector

- 1 Looking at the connector, take note on which side the contacts are located. Many boards will have the word “contacts” stamped on them to indicate which side of the LIF has the contacts. When looking at the board, take note that the contacts from the board to the connector are located on the side of the connector with the contacts.



- 2 Insert the cable squarely into the connector.

**Note:** Verify that the cable is installed straight into the connector. If the cable is not installed properly, then intermittent failures could occur.

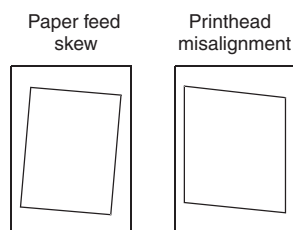


## Printhead assembly adjustments

### Printhead assembly mechanical adjustment

A printhead needs to be correctly positioned after it has been removed. Use a sharp pencil or a small, flat-blade screwdriver to mark the location of the old printhead on the printer frame. Align the new printhead relative to the location of the old printhead.

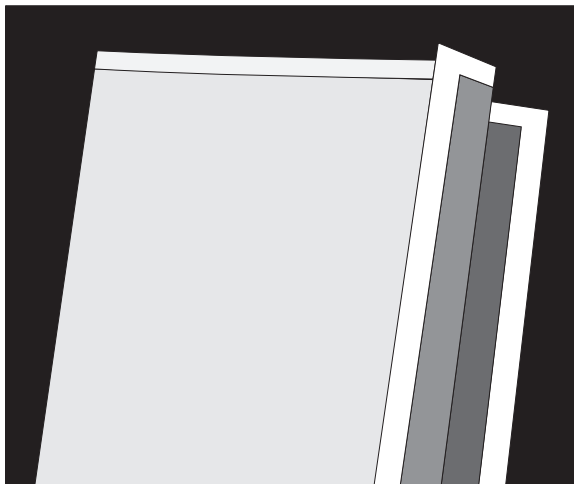
**Note:** Skew is caused by a sheet being fed through the printer while misaligned. The entire image is rotated relative to the sheet edges. However, a mechanically misaligned printhead causes the horizontal lines to appear skewed, while the vertical lines remain parallel to the vertical edges. There are no adjustments for skew. Check the pick tires for wear, the paper path for obstructions, the fuser for proper setting, and the tray paper guides for fit to the media.



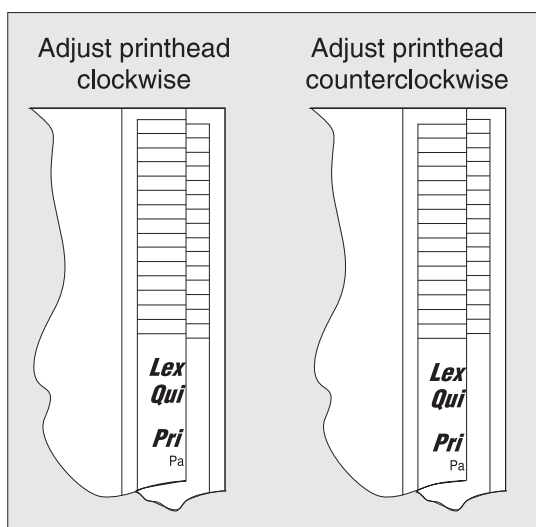
To adjust the printhead:

- 1 POR into the Diagnostics menu, and print a Quick test page:  
**Diagnostics Menu > Print Tests > Tray 1 > Single**
- 2 Fold the printed test page on the left side so that a few millimeters of grid lines wrap around the outside of the fold.

- 3 Fold a second vertical fold near the center so that the left side top edge aligns with the right side top edge.



- 4 If the grid lines of the right flap align below the corresponding lines on the left flap, then adjust the printhead clockwise relative to the printer, and recheck. If the grid lines of the left flap align below the corresponding lines of the right side, then adjust the printhead counterclockwise.



- 5 Print another Quick test page, and check if adjustments are still needed.
- 6 After obtaining a properly adjusted image on the paper, tighten all the screws.
- 7 Align the printhead electronically.

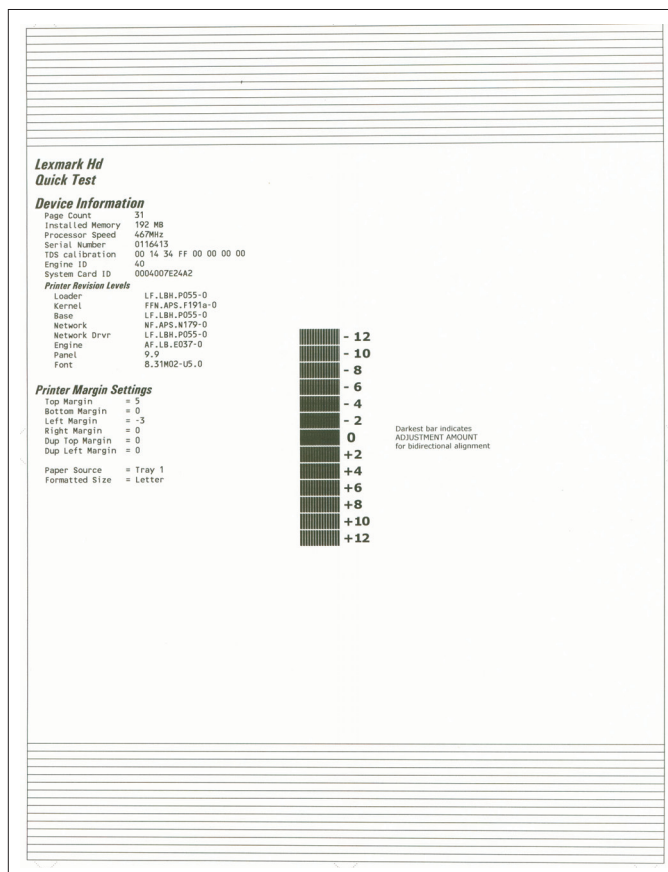
### Printhead assembly electronic adjustment

**Note:** Before aligning the printhead electronically, first align the printhead mechanically.

- 1 POR into the Diagnostics menu, and print a Quick test page:

**Diagnostics Menu > Registration > Quick Test**

Sample Quick test page. Use the actual sheet.



2 From the Registration menu, select the Right margin setting:

**Diagnostics Menu > Registration > Right Margin**

3 To determine the Right margin setting:

a Choose the value of the darkest bar on the right side of the Quick test page.

b Add that value to the current Right margin setting found on the left side of the Quick test page.

For example, if the current Right margin setting is -2, and the darkest bar is at +3, then the right margin setting will be equal to +1 (-2+3=+1).

4 Choose and save the desired Right margin setting.

5 Print again a Quick test page and check if the darkest bar is at zero. If it is, then check to see if the left, top, and bottom margins are detected. If the darkest bar is not at zero, then repeat steps 3 and 4.

**Note:** The alignment of the left margin positions the black plane to the right or left. The alignment of the right margin does not alter the margins and should only be used to adjust the printhead.

## Removal procedures

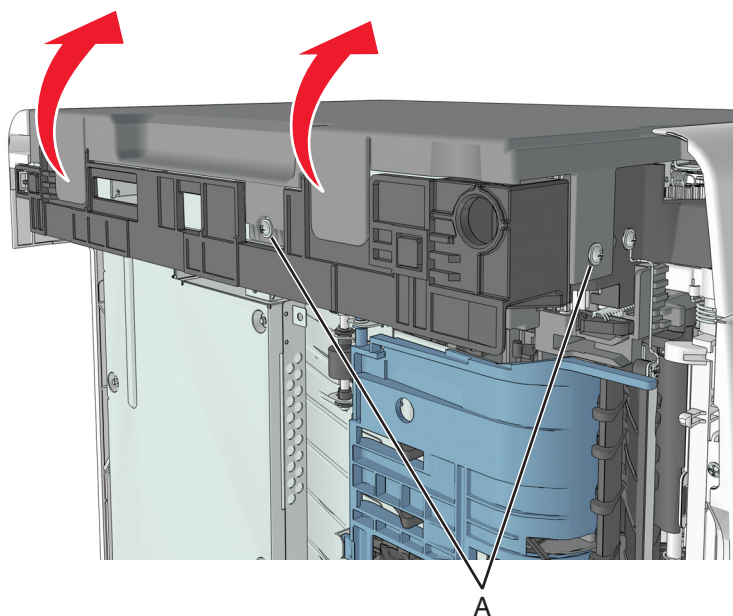
Keep the following tips in mind as you replace parts:

- Some removal procedures require removing cable ties. You must replace cable ties during reassembly to avoid pinching wires, obstructing the paper path, or restricting mechanical movement.
- Remove the toner cartridges, imaging unit, and media tray before removing other printer parts. The imaging unit should be carefully set on a clean, smooth, and flat surface. It should also be protected from light while out of the device.
- Disconnect all external cables from the printer to prevent possible damage during service.
- Unless otherwise stated, reinstall the parts in reverse order of removal.
- When reinstalling a part held with several screws, start all screws before the final tightening.

## Left side removals

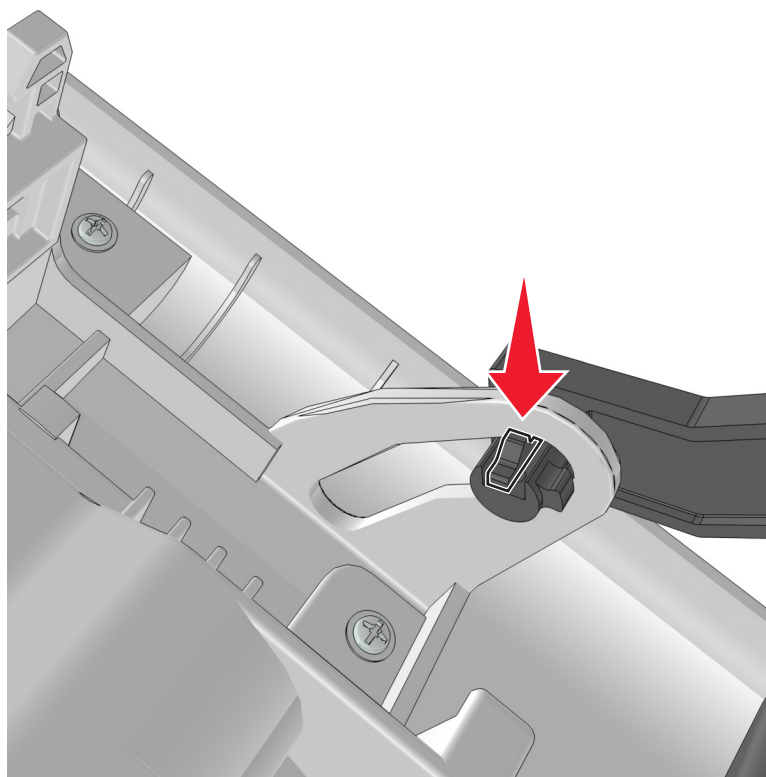
### Left cover removal

- 1 Position the printer so that it sits on its right side.
- 2 Open the front door.
- 3 Remove the two screws (A) securing the left cover.
- 4 Release the latches, and swing the left cover upward to remove.

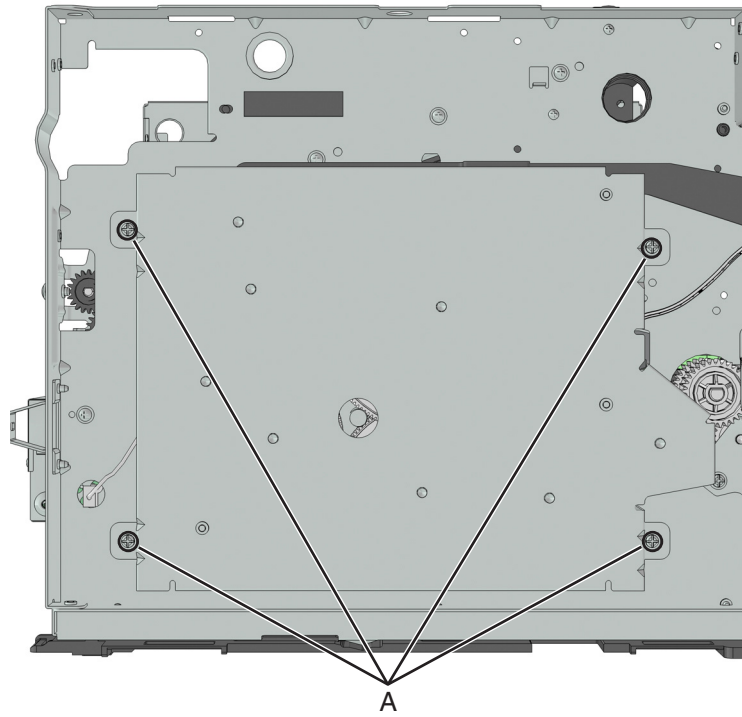


## Main drive gearbox removal

- 1 Remove the left cover. See [“Left cover removal” on page 173](#).
- 2 Squeeze the latch, and then detach the link from the front door.

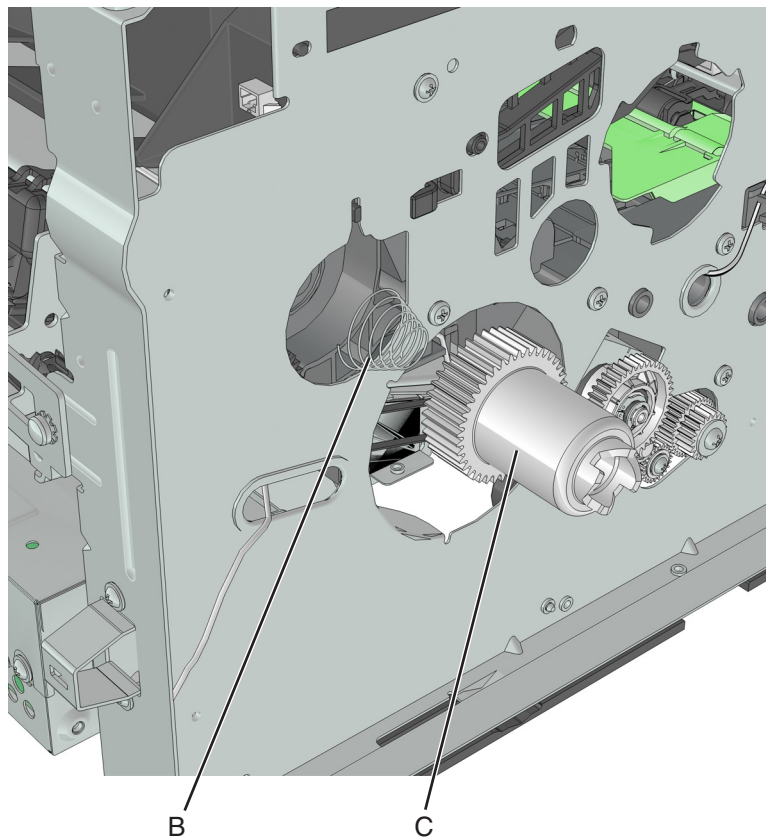


**3** Remove the 4 screws (A), and then remove the main drive gearbox.



**4** Disconnect the cable from the main drive gearbox.

- 5 Remove the spring (B) and the fuser gear (C).

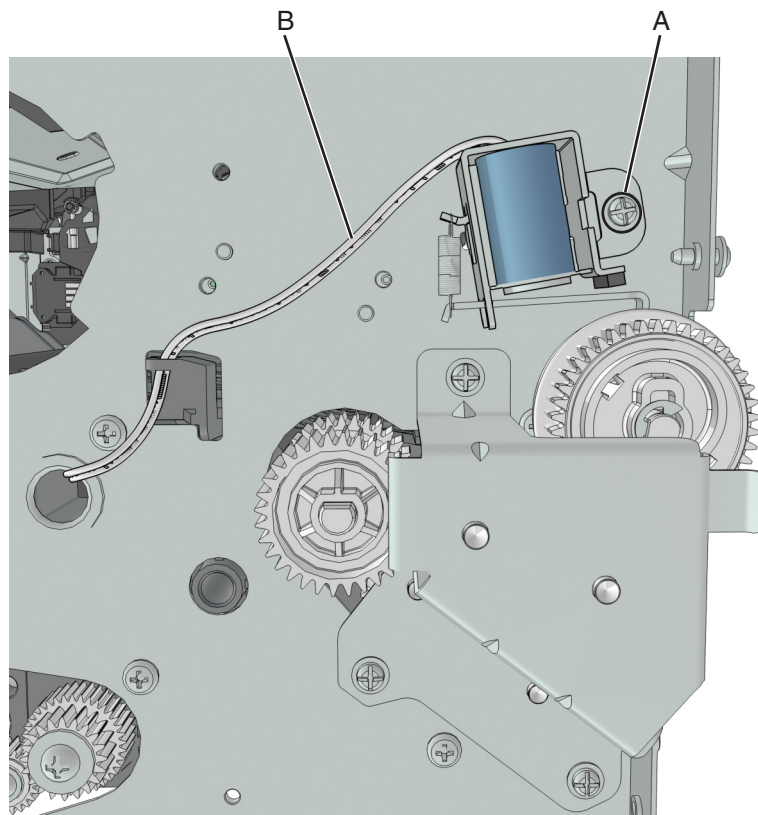


## MPF solenoid removal

- 1 Remove the left cover. See [“Left cover removal” on page 173.](#)
- 2 Remove the main drive gearbox. See [“Main drive gearbox removal” on page 174.](#)
- 3 Disconnect the MPF solenoid cable from the controller board.
- 4 Remove the screw (A).



**5** Cut the cable (B).

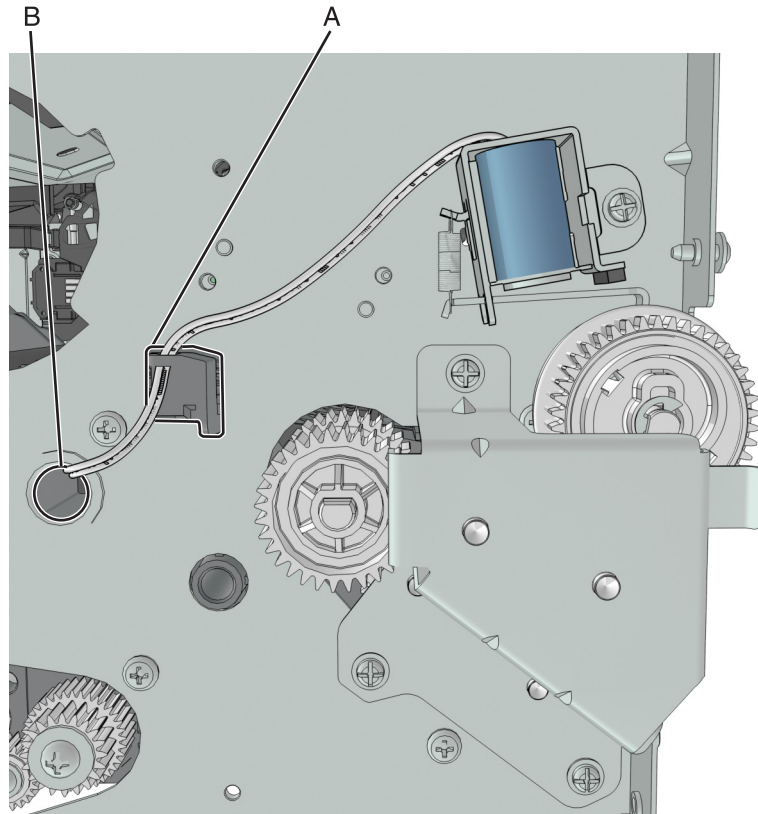


**6** Remove the other half of the cable from the printer.

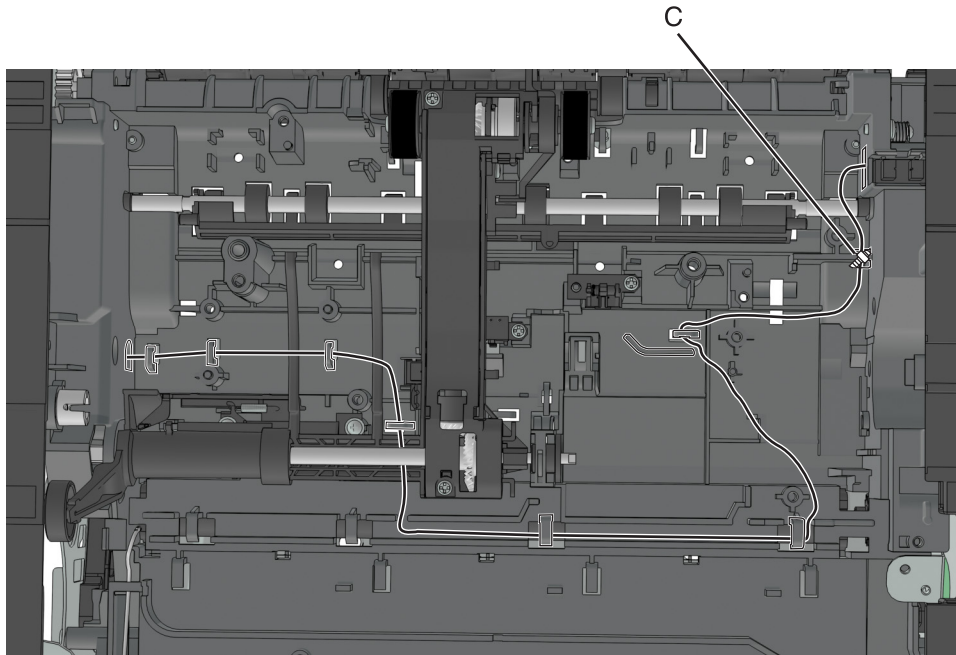
**Installation notes:**

- a** Install the MPF solenoid.
- b** Secure the cable to the holder (A).

**c** Insert the cable into the hole (B).

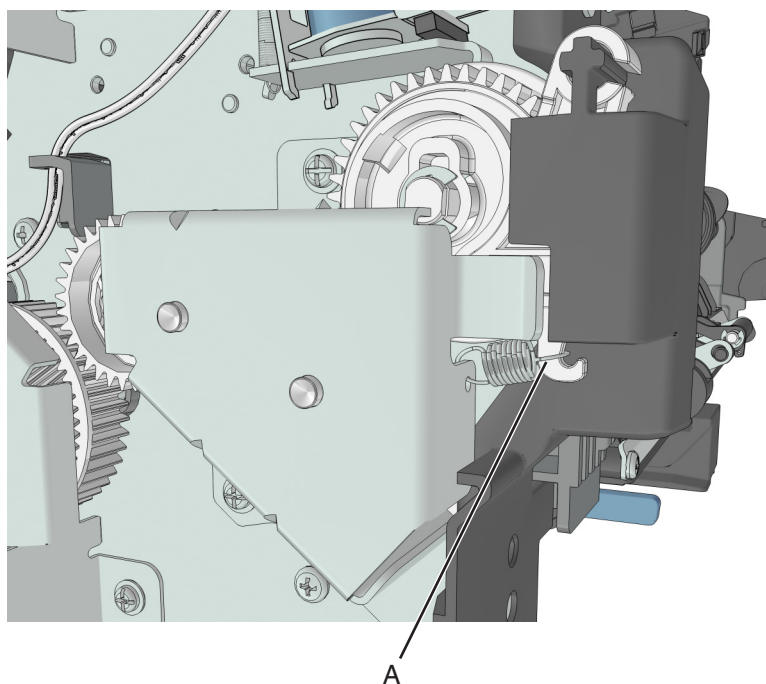


**d** Route the cable using the new path, and secure it with a cable tie (C).

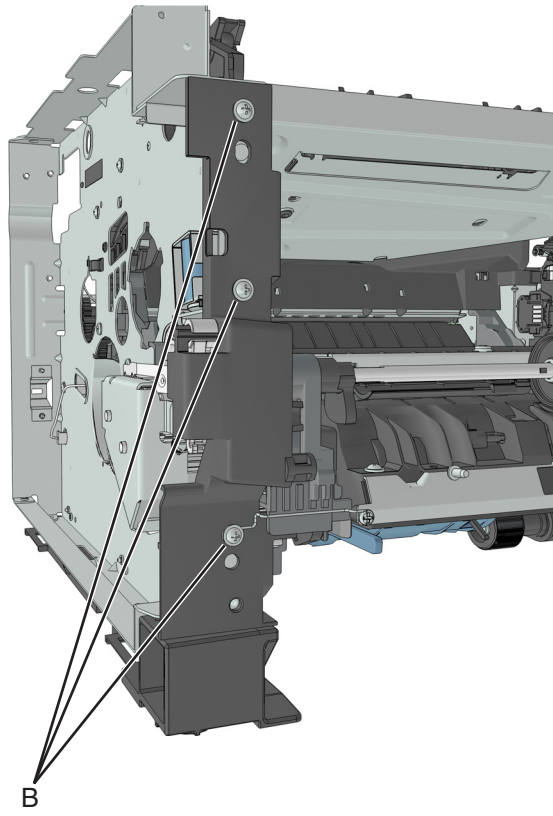


## MPF gearbox removal

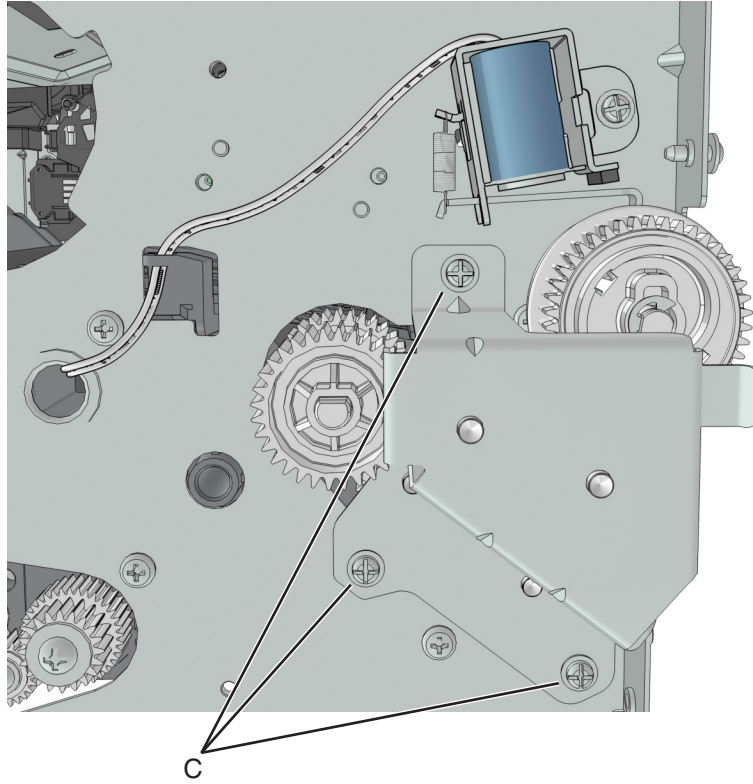
- 1 Remove the left cover. See [“Left cover removal” on page 173.](#)
- 2 Remove the main drive gearbox. See [“Main drive gearbox removal” on page 174.](#)
- 3 Remove the front door. See [“Front door removal” on page 210.](#)
- 4 Disconnect the spring (A) from the printer.



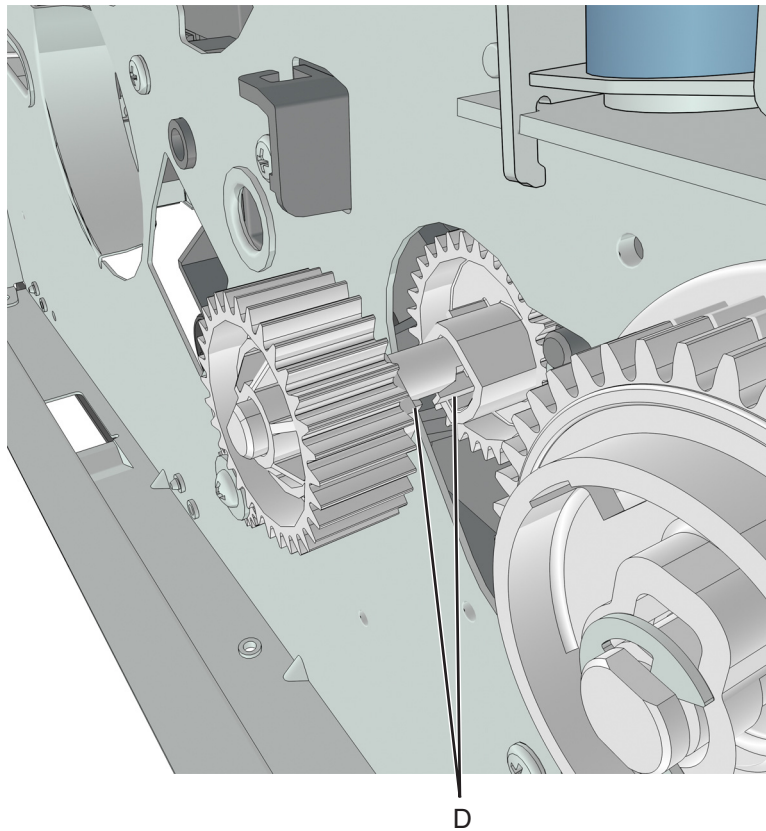
**5** Remove the three screws (B), and then remove the left front mount.



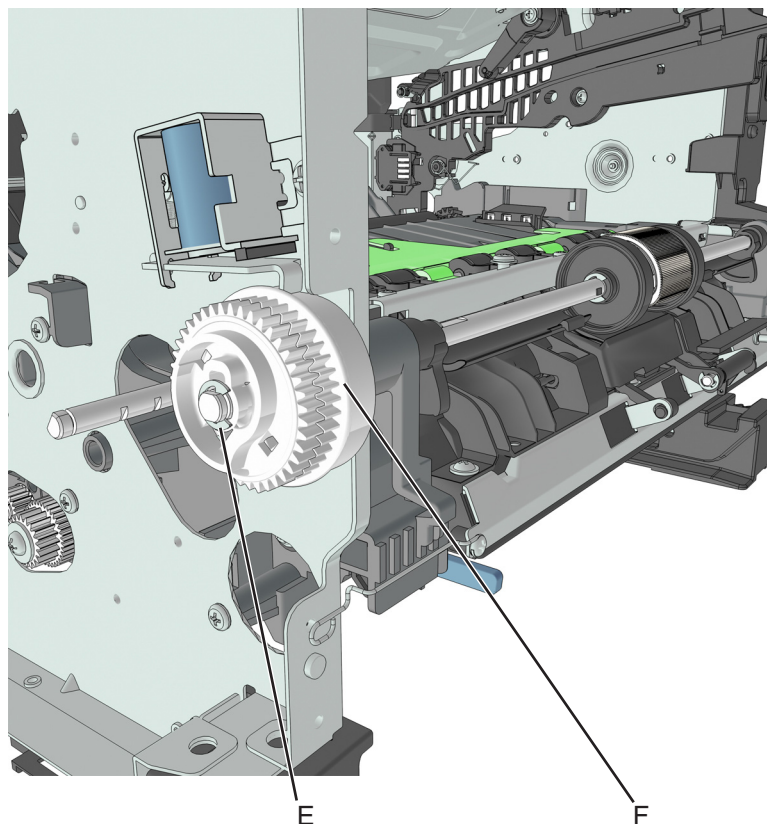
- 6** Remove the three screws (C), and then remove the MPF gearbox.



- 7** Release the two latches (D), and then remove the main input drive gears.



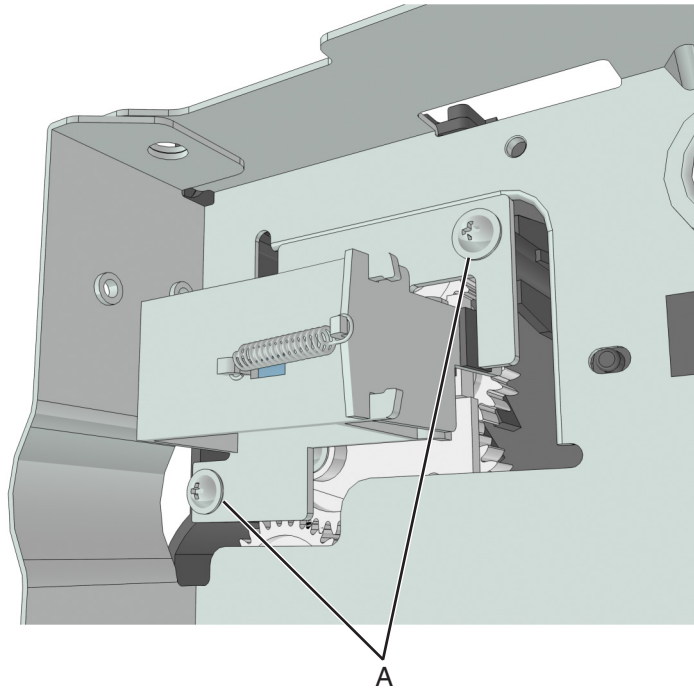
- 8 Remove the E-clip (E), and then remove the MPF sector gear (F).



## Reverse solenoid removal

- 1 Remove the right cover. See [“Right cover removal” on page 188.](#)
- 2 Remove the left cover. See [“Left cover removal” on page 173.](#)
- 3 Remove the rear door and cover. See [“Rear door and cover removal” on page 236.](#)
- 4 Remove the top cover. See [“Top cover removal” on page 243.](#)
- 5 Remove the cooling fan. See [“Cooling fan removal” on page 188.](#)
- 6 Disconnect cable JDRSOL1 from the controller board.

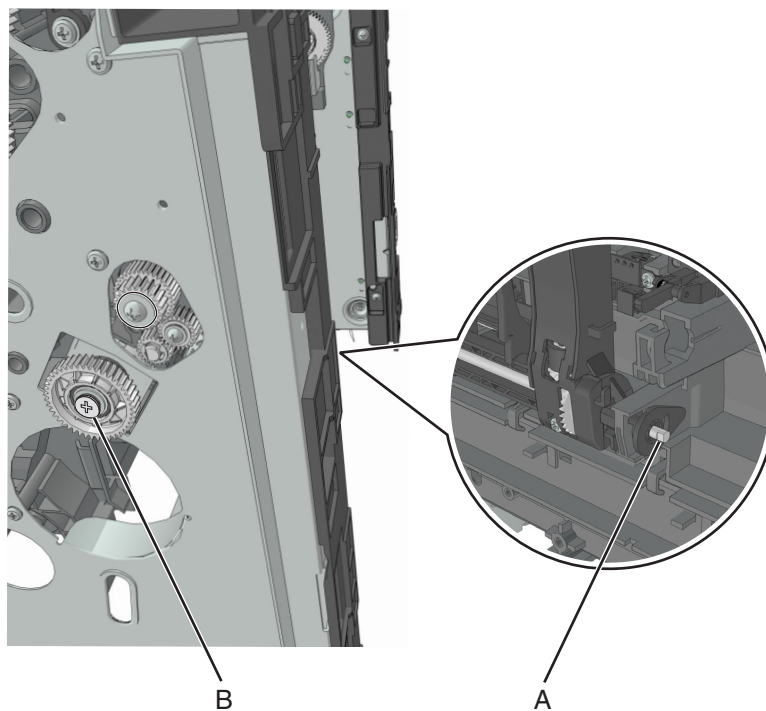
- 7 Remove the two screws (A) securing the reverse solenoid.



## ACM clutch removal

- 1 Remove the left cover. See [“Left cover removal” on page 173.](#)
- 2 Remove the right cover. See [“Right cover removal” on page 188.](#)
- 3 Remove the main drive gearbox. See [“Main drive gearbox removal” on page 174.](#)
- 4 Remove the rear door and cover. See [“Rear door and cover removal” on page 236.](#)
- 5 Remove the power supply. See [“Power supply removal” on page 218.](#)
- 6 Remove the power supply shield. See [“Power supply shield removal” on page 219.](#)
- 7 Remove the duplex. See [“Duplex removal” on page 220.](#)
- 8 Disconnect the cable JFSOL from the controller board.
- 9 Secure right end of the shaft (A) with a pair of needle-nose pliers to prevent it from rotating.

**10** Remove the screw (B).

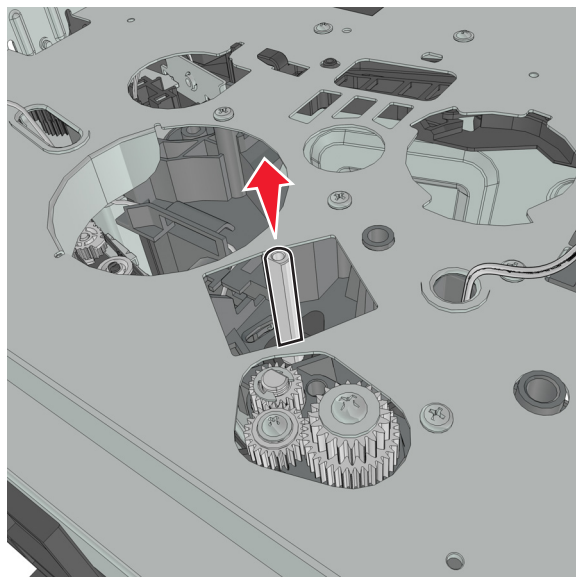


**11** Pull out the ACM clutch, and cut the cable to detach the ACM clutch.

**12** Remove the other half of the cable from the printer.

**Installation notes:**

**a** Pull out the shaft.

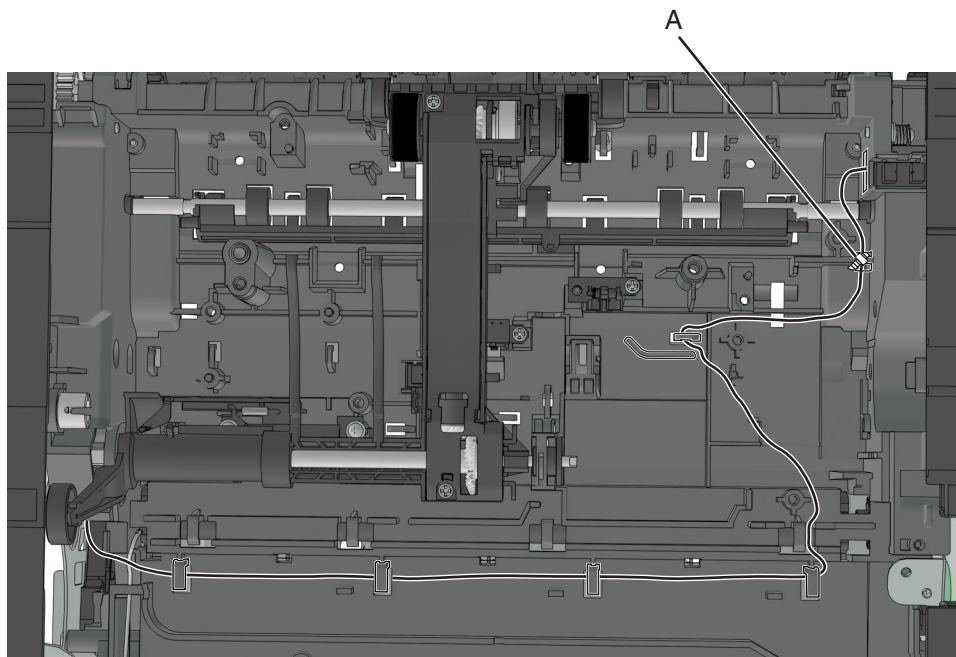


**b** Reinstall the ACM clutch.

**c** Route the cable using the new path.

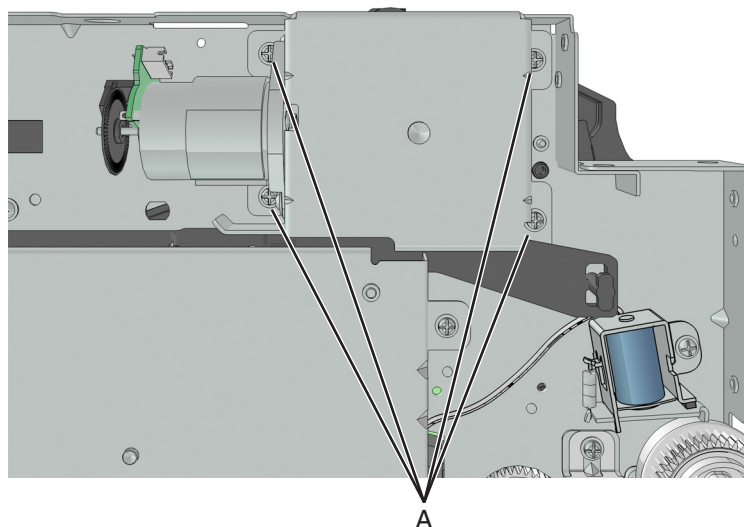


- d** Secure the cable with a cable tie (A).



## Cartridge gearbox removal

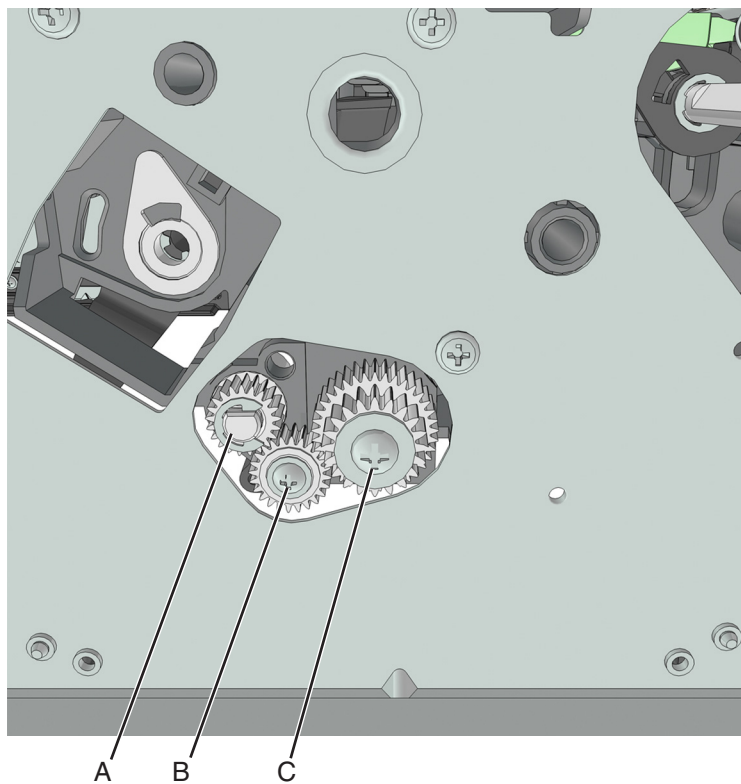
- 1** Remove the left cover. See [“Left cover removal” on page 173.](#)
- 2** Remove the four screws (A) securing the cartridge gearbox.



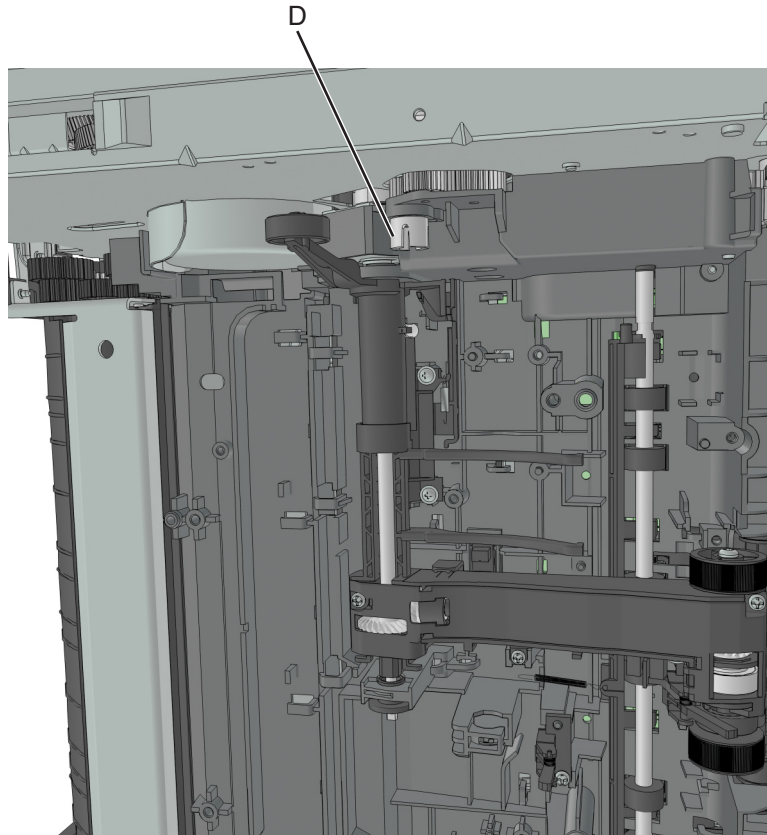
- 3** Disconnect the cable from the cartridge gearbox.

## Duplex gear assembly removal

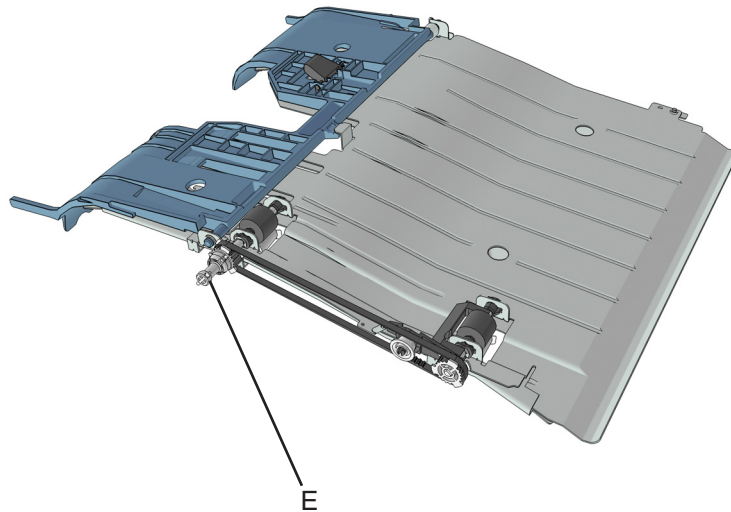
- 1 Remove the left cover. See [“Left cover removal” on page 173.](#)
- 2 Remove the rear door and cover. See [“Rear door and cover removal” on page 236.](#)
- 3 Remove the power supply. See [“Power supply removal” on page 218.](#)
- 4 Remove the power supply shield. See [“Power supply shield removal” on page 219.](#)
- 5 Remove the duplex. See [“Duplex removal” on page 220.](#)
- 6 Position the printer so that it sits on its right side.
- 7 Remove the E-clip (A).
- 8 Remove the screw (B).
- 9 Remove the screw (C).
- 10 Remove the three gears.



**11** From behind the three gears, remove the duplex coupling (D).



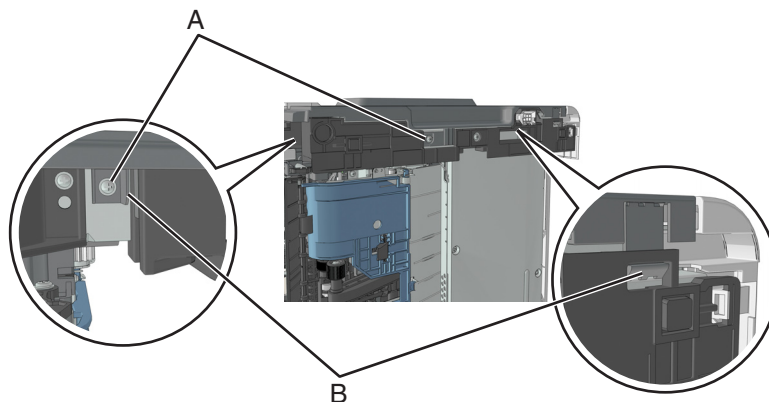
**12** Remove the duplex link (E) from the duplex.



## Right side removals

### Right cover removal

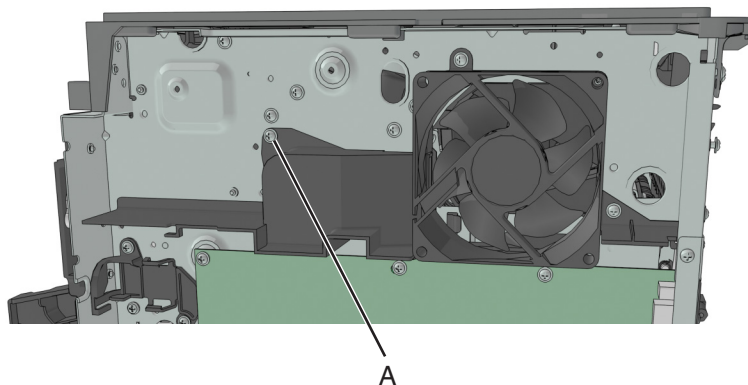
- 1 Open the front door.
- 2 Position the printer so that it sits on its left side.
- 3 Remove the two screws (A) securing the right cover.
- 4 Release the latches (B) to remove the right cover.



### Cooling fan duct removal

**Note:** This is not a FRU.

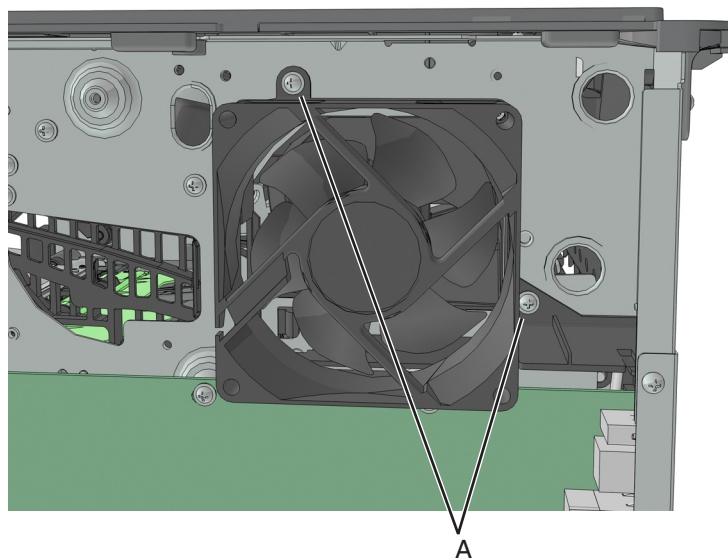
- 1 Remove the right cover. See [“Right cover removal” on page 188](#).
- 2 Remove the screw (A), and then remove the cooling fan duct.



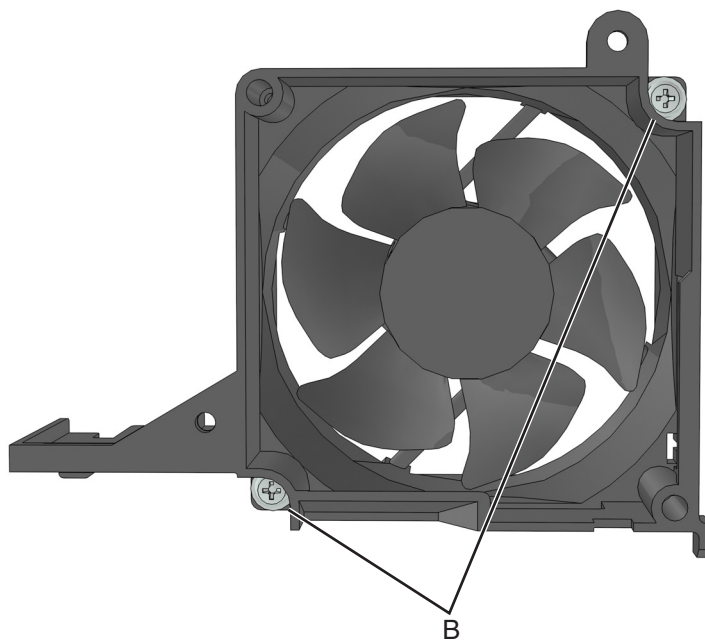
### Cooling fan removal

- 1 Remove the right cover. See [“Right cover removal” on page 188](#).
- 2 Remove the cooling fan duct. See [“Cooling fan duct removal” on page 188](#).
- 3 Disconnect the cable JFAN1 or JFAN2 from the controller board.

- 4 Remove the two screws (A) securing the fan mount to the printer.



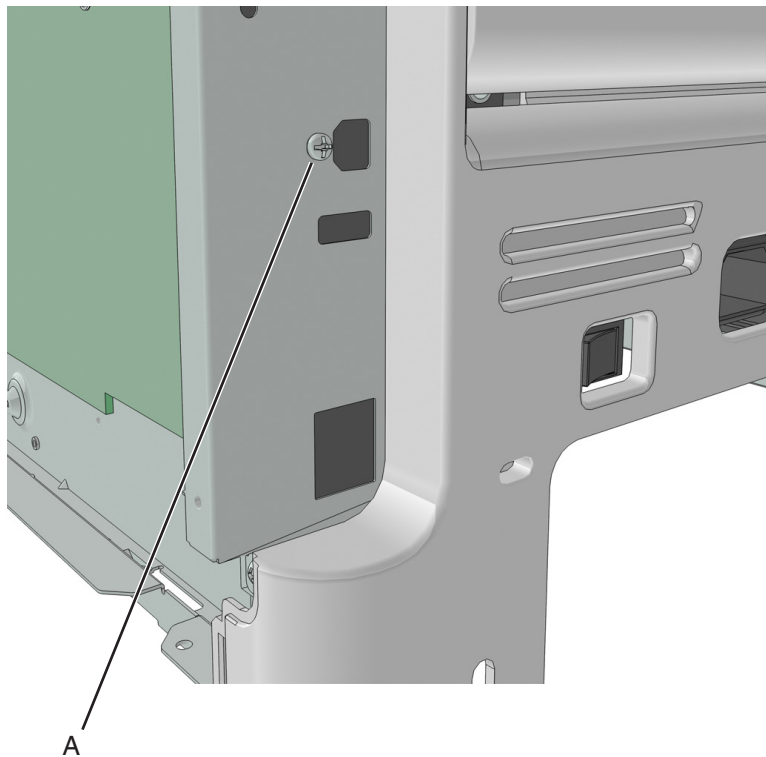
- 5 Remove the two screws (B) securing the fan to the fan mount.



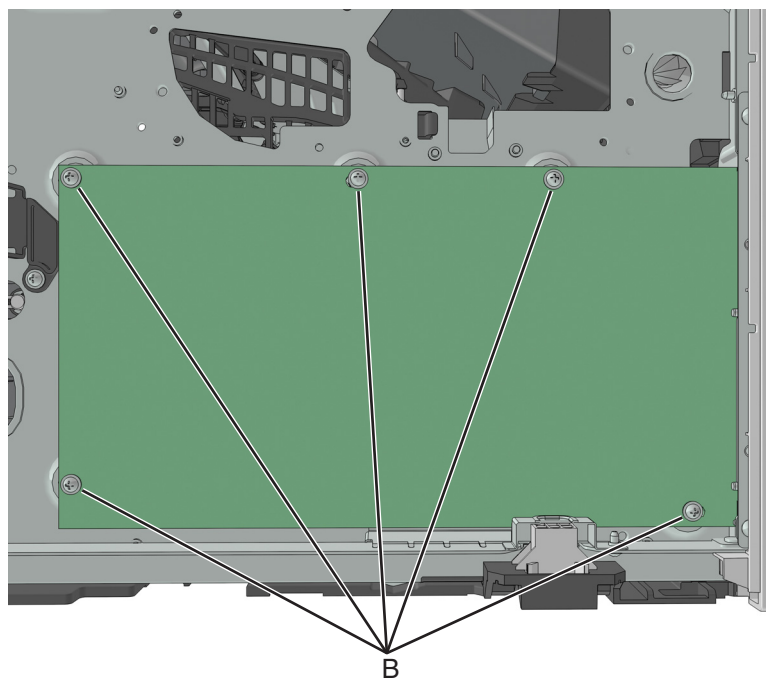
## Controller board removal

- 1 Remove the right cover. See [“Right cover removal” on page 188](#).
- 2 Disconnect all cables from the controller board.

- 3 Remove the three screws (A) from the rear side of the printer.



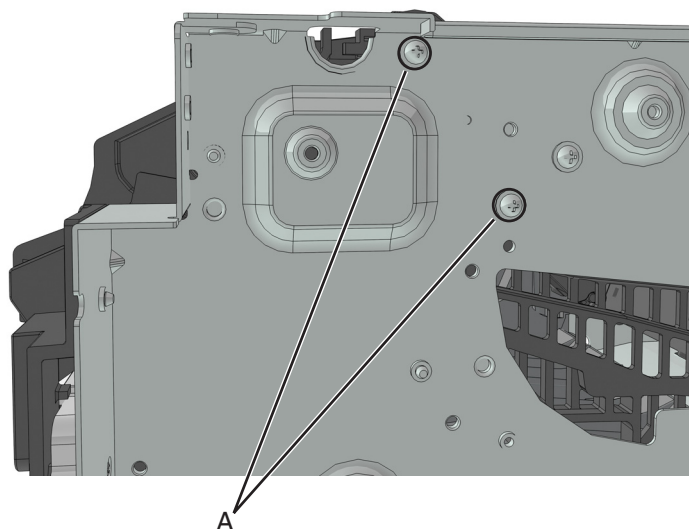
- 4 Remove the five screws (B) securing the controller board.



**Installation note:** After installing a new controller board, perform the printer configuration restoration. See [“Restoring the printer configuration after replacing the controller board” on page 151](#).

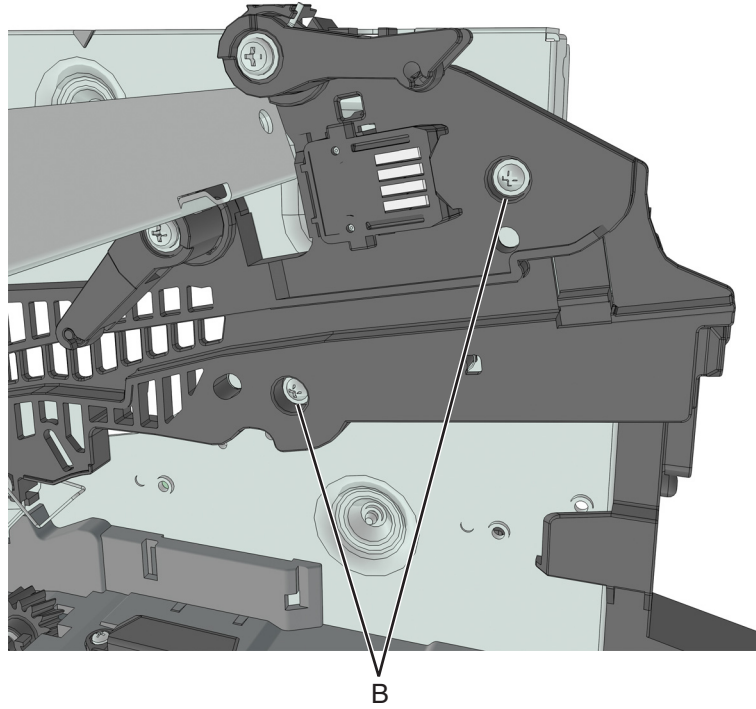
## Toner cartridge smart chip contact removal

- 1 Remove the right cover. See [“Right cover removal” on page 188](#).
- 2 Disconnect the cable JARW1 from the controller board.
- 3 Remove the two screws (A).



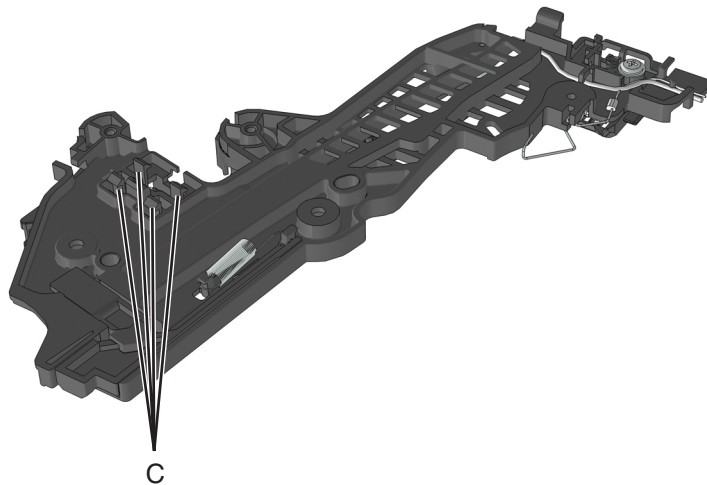
- 4 Remove the two screws (B), and then detach the right cartridge guide.

**Warning—Potential Damage:** Do not cut or disconnect the cable at the rear of the right cartridge guide. Leave the right cartridge guide dangling while performing the rest of the steps.



- 5** From behind the right cartridge guide, release the 4 latches (C) to detach the toner cartridge smart chip contact.

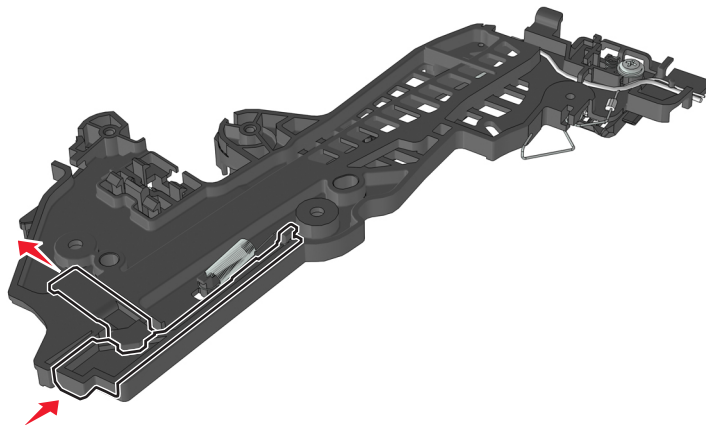
**Note:** Pay attention to the original position of the spring and the actuators.





**Installation notes:**

- a Test for proper installation of the spring and the actuators.
- b Press the cartridge actuator. The cartridge lock should move up.



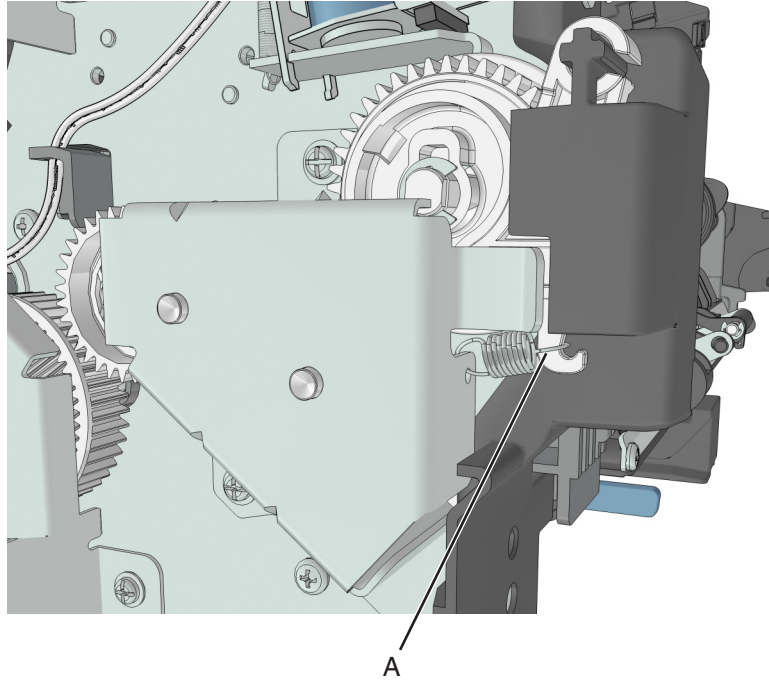
- c Release the cartridge actuator. The cartridge lock should move back to its original position.

## Front removals

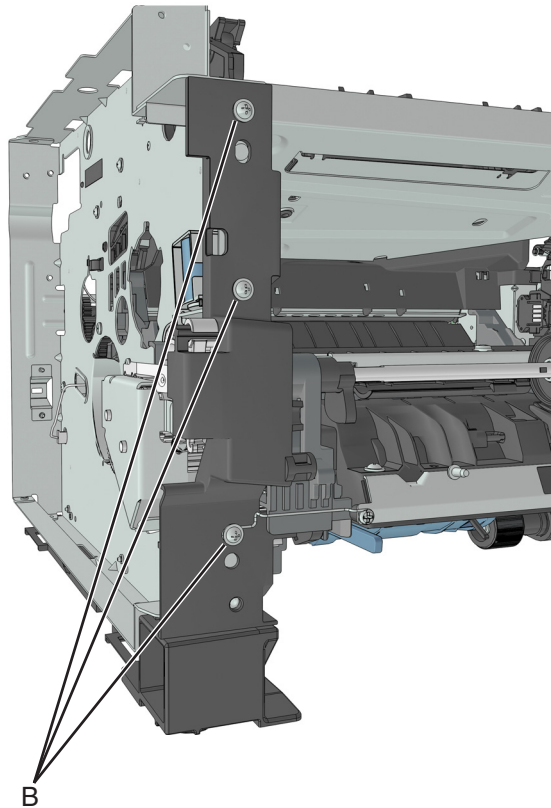
### Left front mount removal

- 1 Remove the left cover. See [“Left cover removal” on page 173.](#)
- 2 Remove the front door. See [“Front door removal” on page 210.](#)

- 3** Disconnect the spring (A) from the printer.

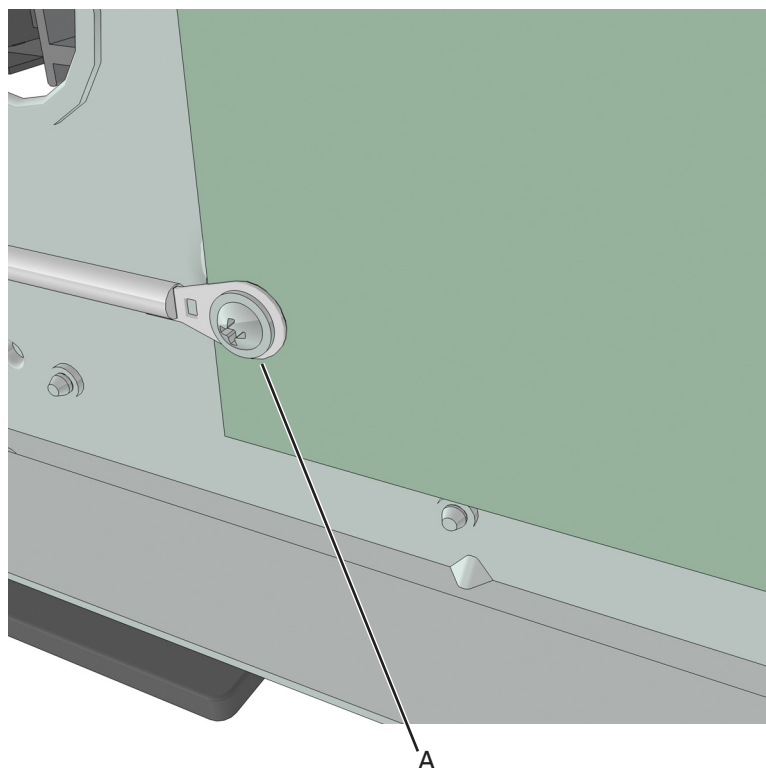


- 4** Remove the three screws (B), and then remove the left front mount.

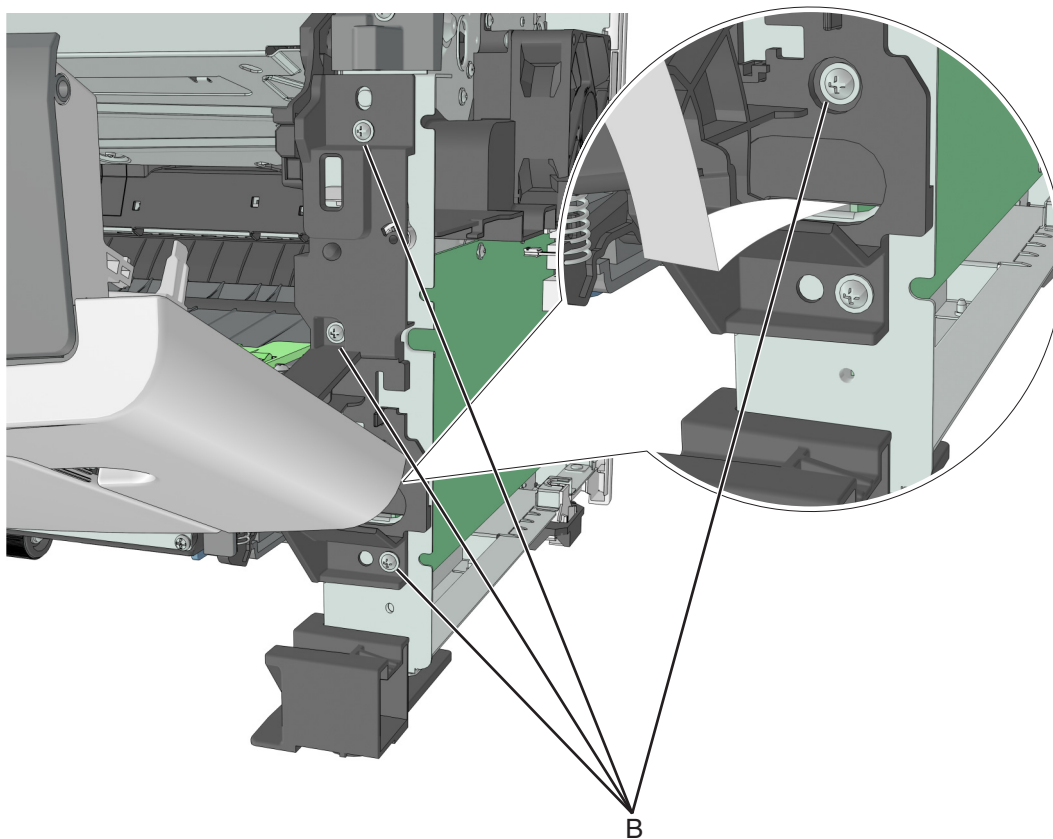


## Right front mount removal

- 1 Remove the right cover. See [“Right cover removal” on page 188](#).
- 2 Disconnect all control panel cables from the controller board.
- 3 Disconnect the cable JCVR1 from the controller board.
- 4 Remove the screw (A) to disconnect the ground wire.



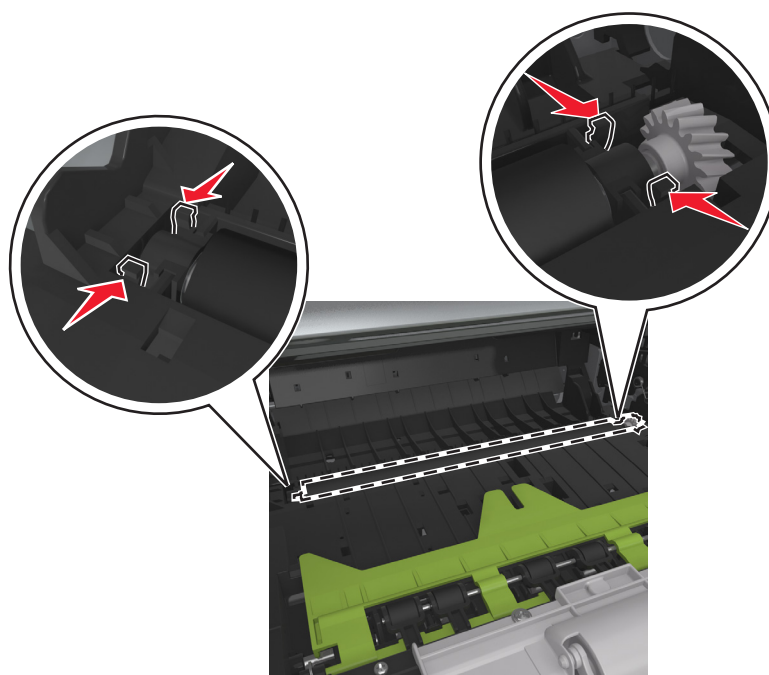
- 5 Remove the four screws (B), and then remove the right front mount.



## Transfer roll removal

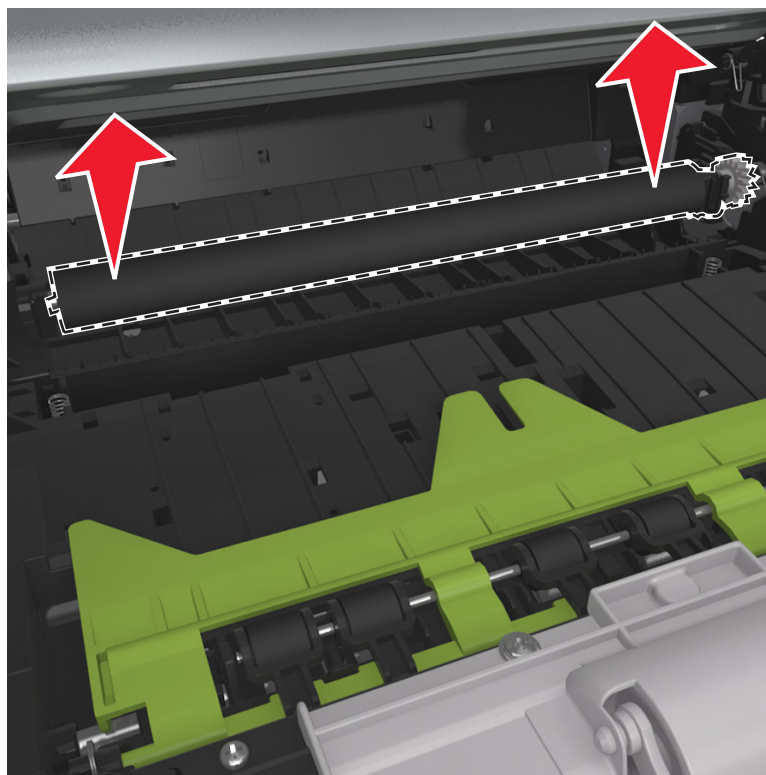
**Warning—Potential Damage:** Do not touch the transfer roll with bare hands. Oil from the skin can damage it.

- 1 Squeeze the latches at each end of the transfer roll.



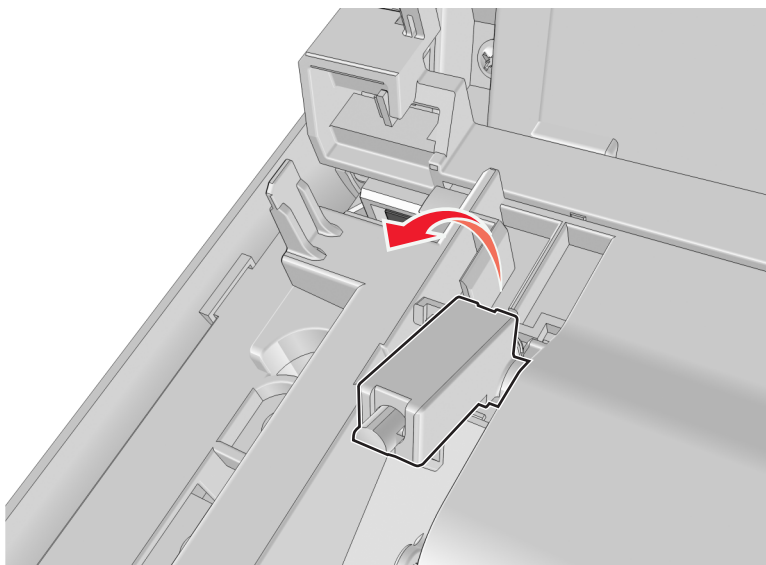
- 2 Lift to remove the transfer roll.

**Warning—Potential Damage:** Do not remove the spring under the left latch. Doing so will damage the printer.

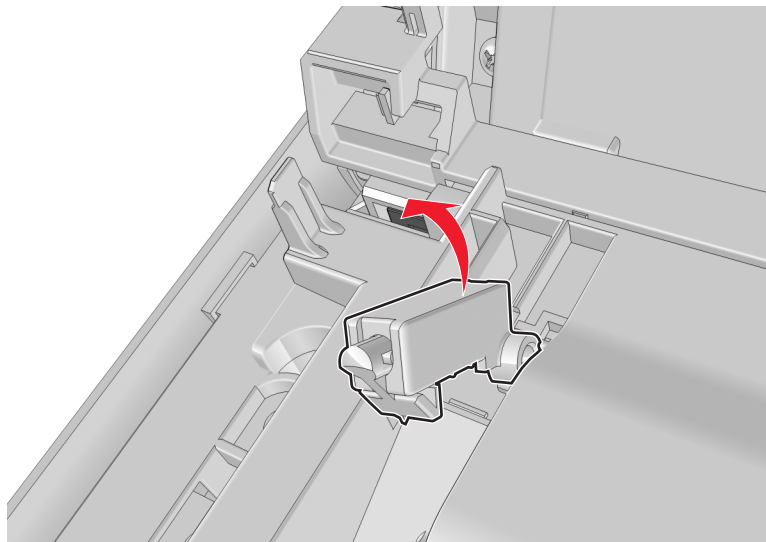


## Cartridge plunger removal

- 1 Open the front door.
- 2 Tilt the cartridge plunger.

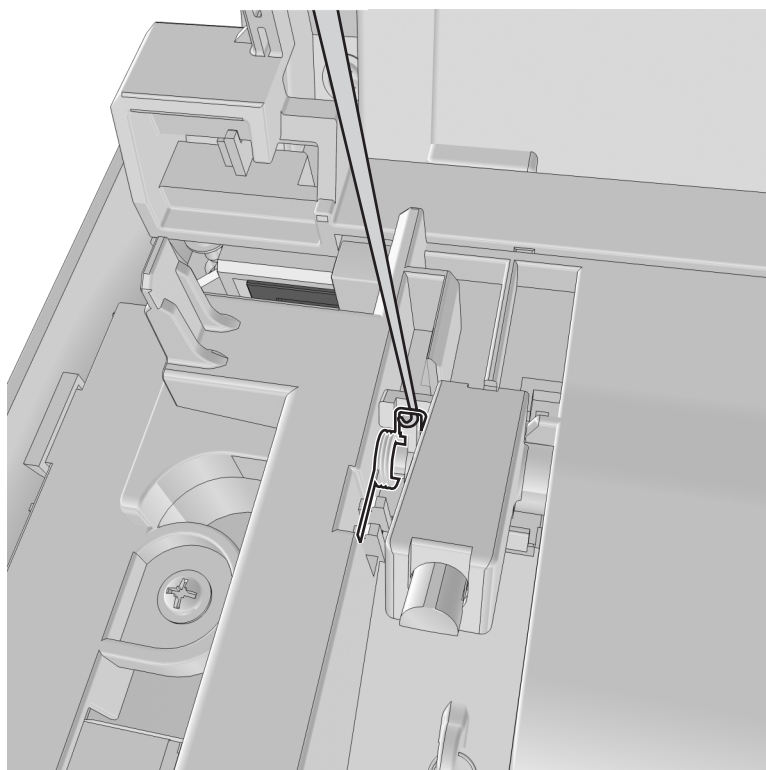


**3** Twist and then remove the cartridge plunger.

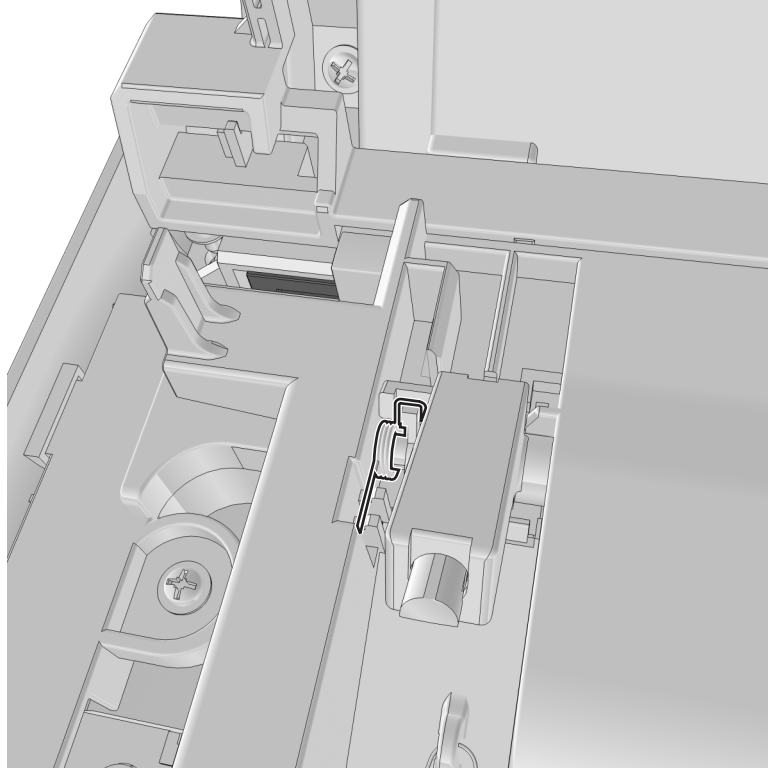


**Installation notes:**

**a** Use a spring hook to hold the spring, and then reinstall the cartridge plunger.



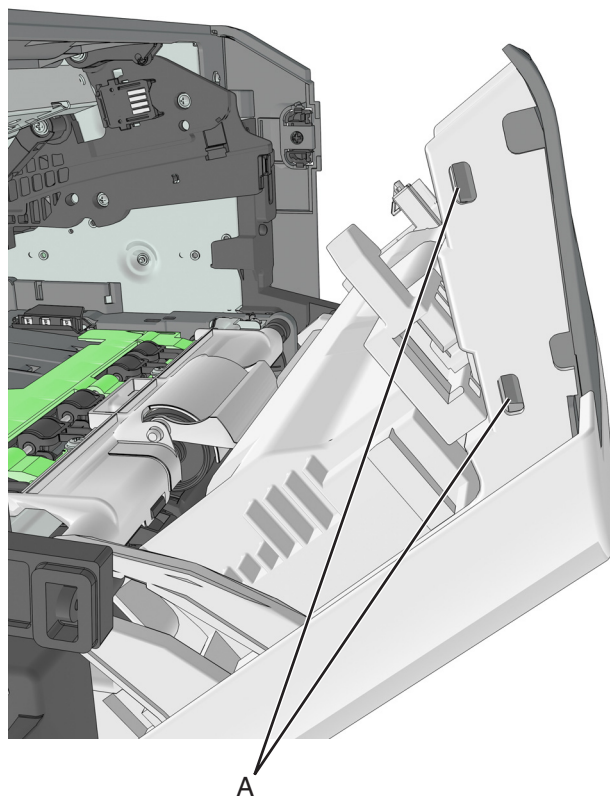
- b** Set the spring over the plunger.





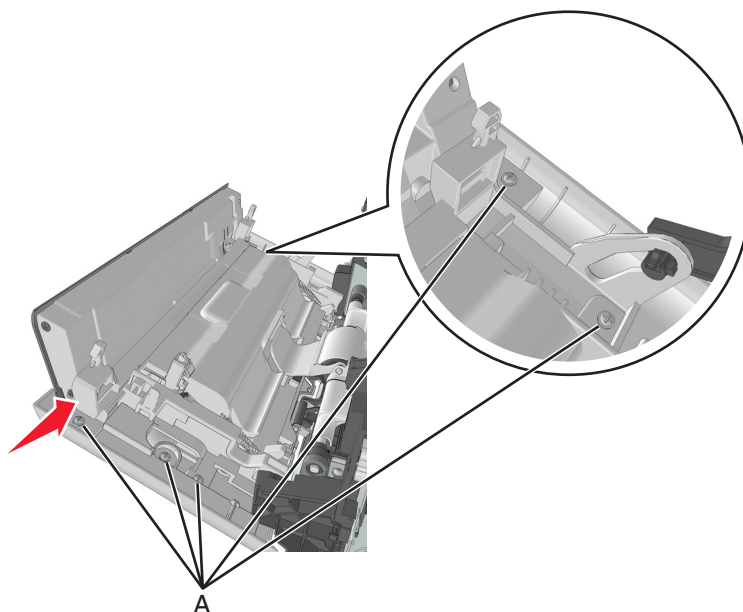
## Bezel removal

- 1 Open the front door.
- 2 Push the latches (A) at the left side to remove the bezel.



## Nameplate removal

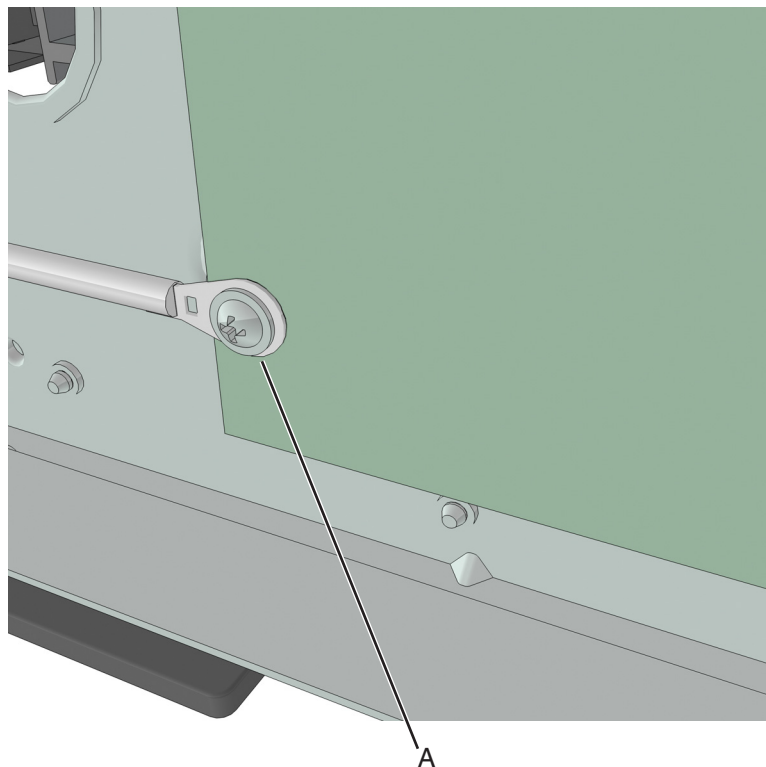
- 1 Open the front door.
- 2 Remove five screws (A) securing the nameplate.



## Control panel assembly removal

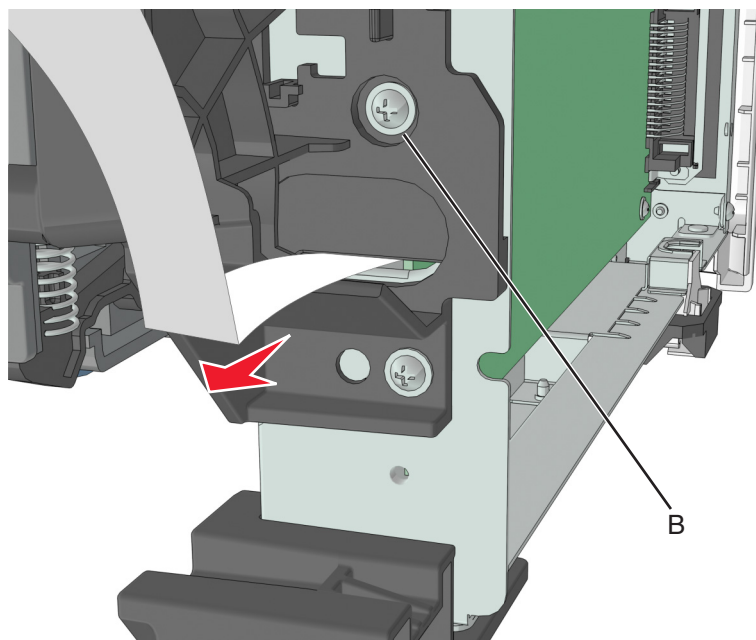
- 1 Remove the right cover. See [“Right cover removal” on page 188.](#)
- 2 Remove the nameplate. See [“Nameplate removal” on page 202.](#)
- 3 Remove the bezel. See [“Bezel removal” on page 201.](#)

- 4** Remove the screw (A) securing the ground connector to the controller board.

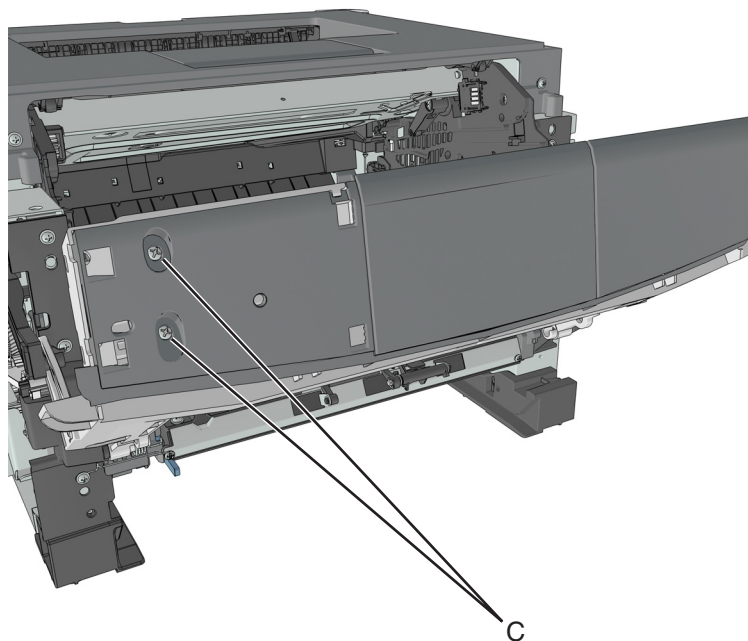


- 5** Disconnect the cable JOPP1 or JOPP2 from the controller board.

- 6** Remove the screw (B) from the right front mount, and route the cable through the slot.



- 7 Remove the two screws (C) securing the control panel assembly.

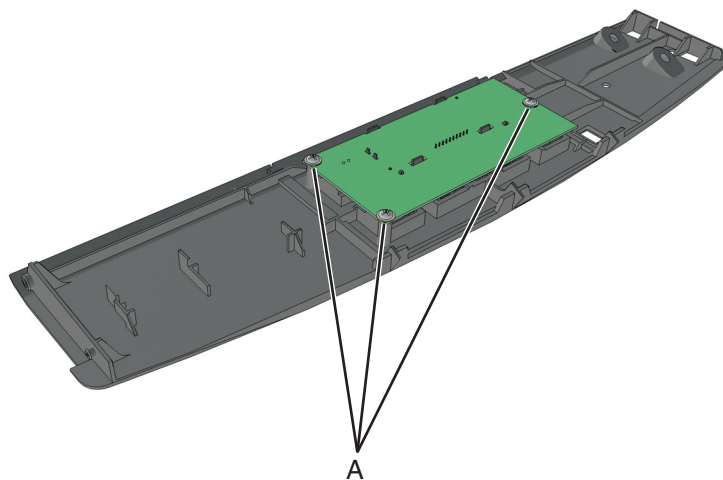


- 8 Route all cables off the printer to completely remove the control panel assembly.

## UICC removal

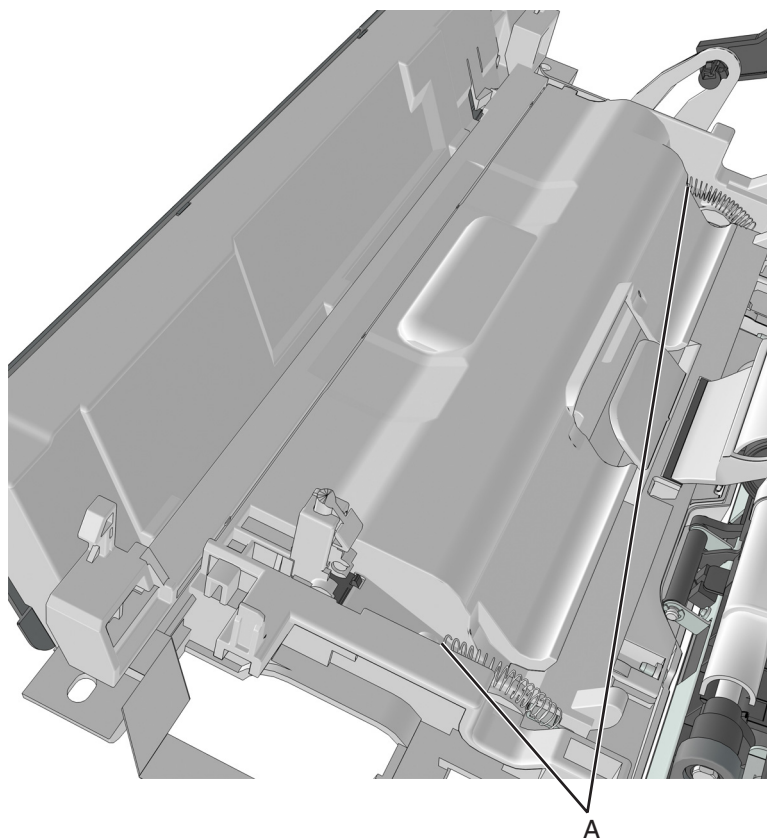
- 1 Remove the right cover. See [“Right cover removal” on page 188.](#)
- 2 Remove the nameplate. See [“Nameplate removal” on page 202.](#)
- 3 Remove the bezel. See [“Bezel removal” on page 201.](#)
- 4 Remove control panel assembly. See [“Control panel assembly removal” on page 202.](#)
- 5 Remove the three screws (A), and then remove the UICC.

**Note:** The control panel buttons and light pipe must remain with the control panel assembly.

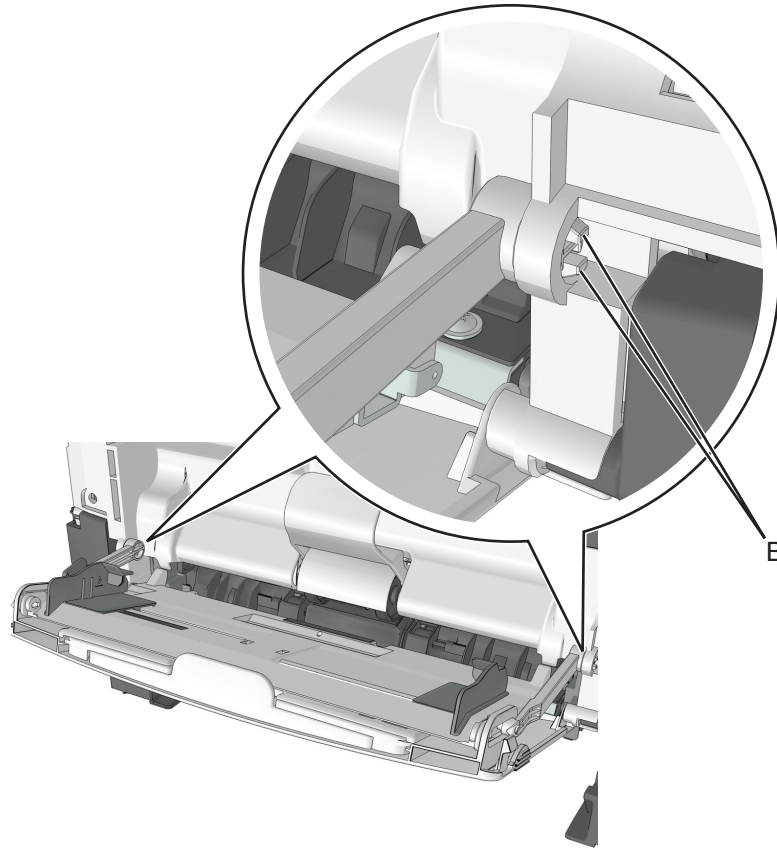


## MPF assembly removal

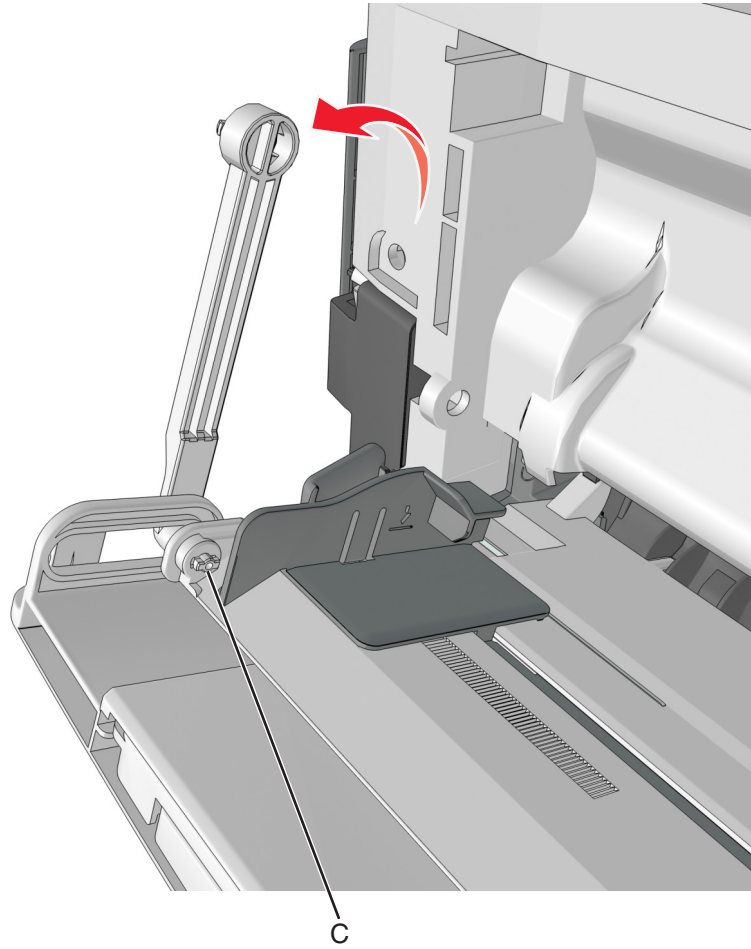
- 1 Remove the nameplate. See [“Nameplate removal” on page 202.](#)
- 2 Remove the two springs (A).



**3** Squeeze the latches (B) to release the left and right links.

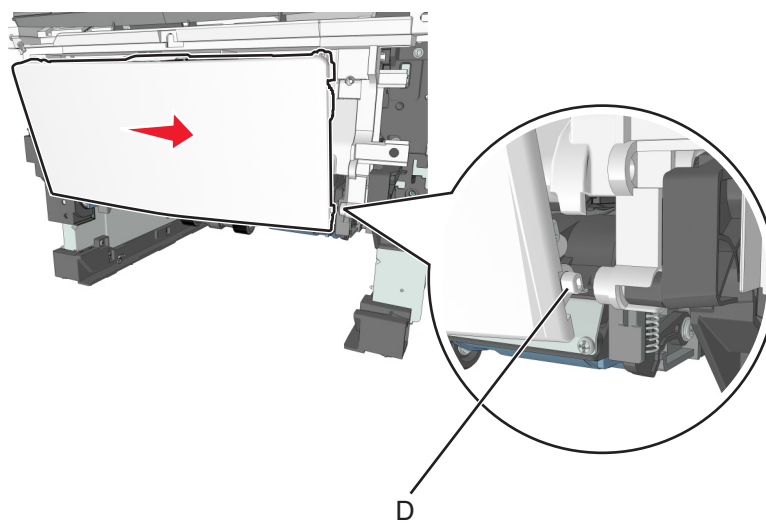


- 4 Release the lock (C) remove the MPF link. Do the same on the other MPF link.



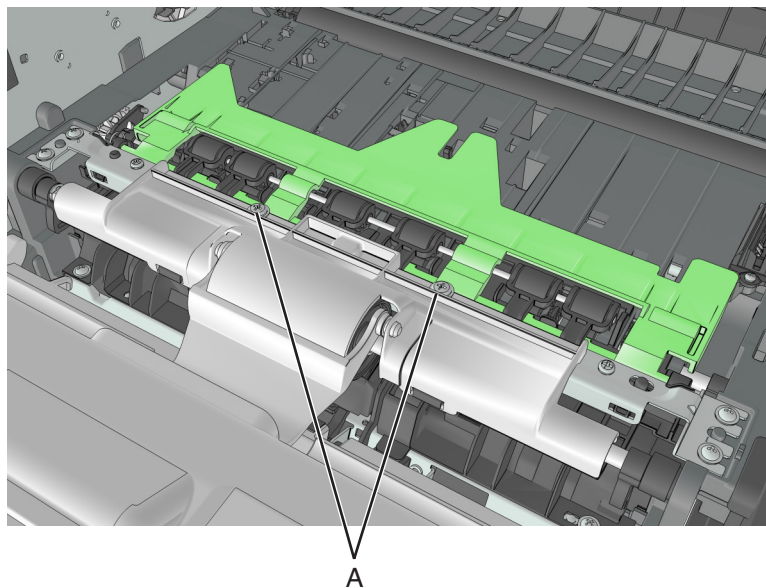
- 5 Release the right tab (D) of the MPF.

- 6 Slide the MPF assembly to remove.



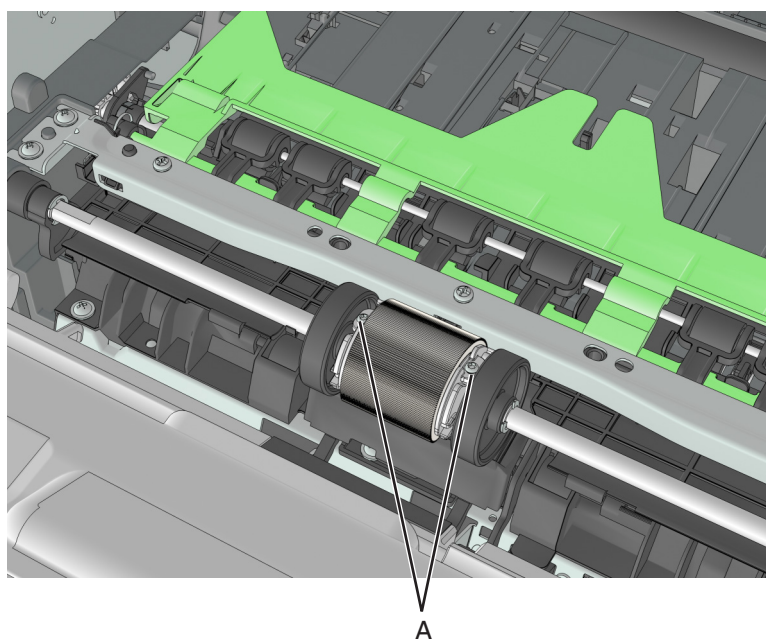
## MPF pick roller cover removal

- 1 Open the front door.
- 2 Remove the two screws (A), and then remove the MPF pick roller cover.



## MPF pick roller removal

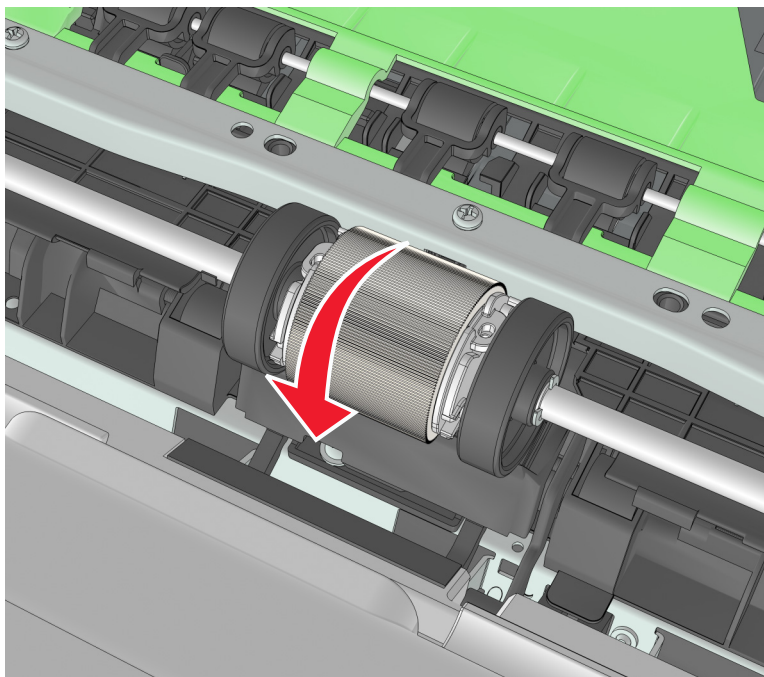
- 1 Remove the MPF pick roller cover. See [“MPF pick roller cover removal” on page 208](#).
  - 2 Remove the two screws (A).
- Note:** Use a #0 Phillips screwdriver.



- 3 Pull the MPF pick roller outward to remove.

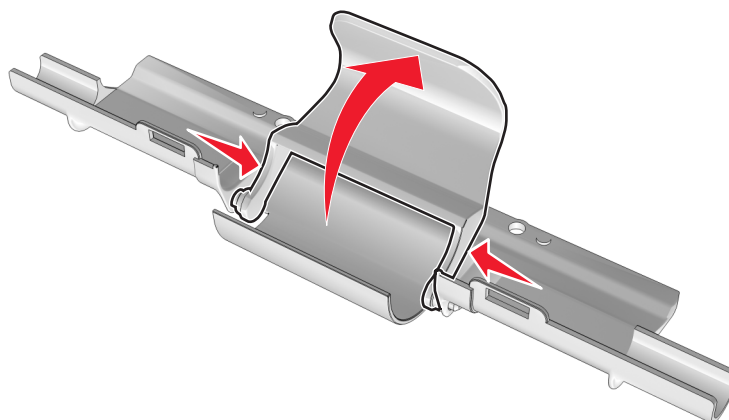


**Warning—Potential Damage:** Do not touch the pick tire with bare hands, as this can damage the pick roller.



## Bail removal

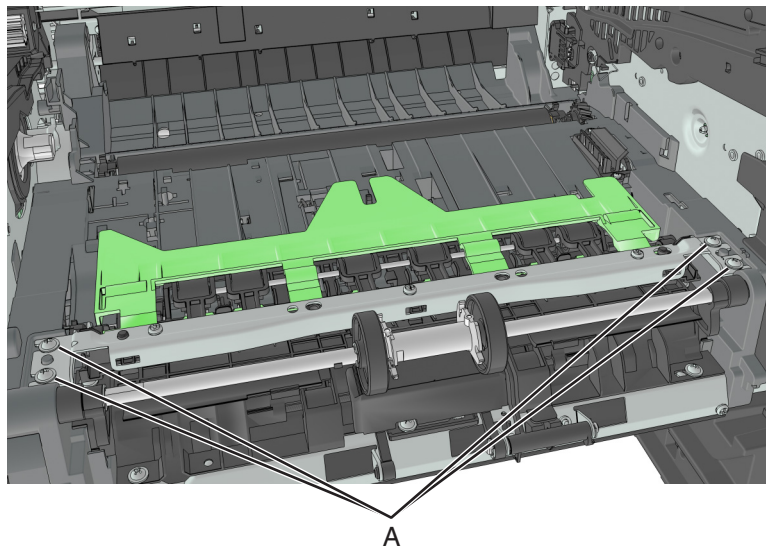
- 1 Remove the MPF pick roller cover. See [“MPF pick roller cover removal” on page 208](#).
- 2 Rotate the bail.
- 3 Squeeze the latches, and then remove the bail.



## Jam access cover removal

- 1 Remove the MPF pick roller cover. See [“MPF pick roller cover removal” on page 208](#).
- 2 Remove the MPF pick roller. See [“MPF pick roller removal” on page 208](#).

- 3 Remove the four screws (A), and then remove the jam access cover.

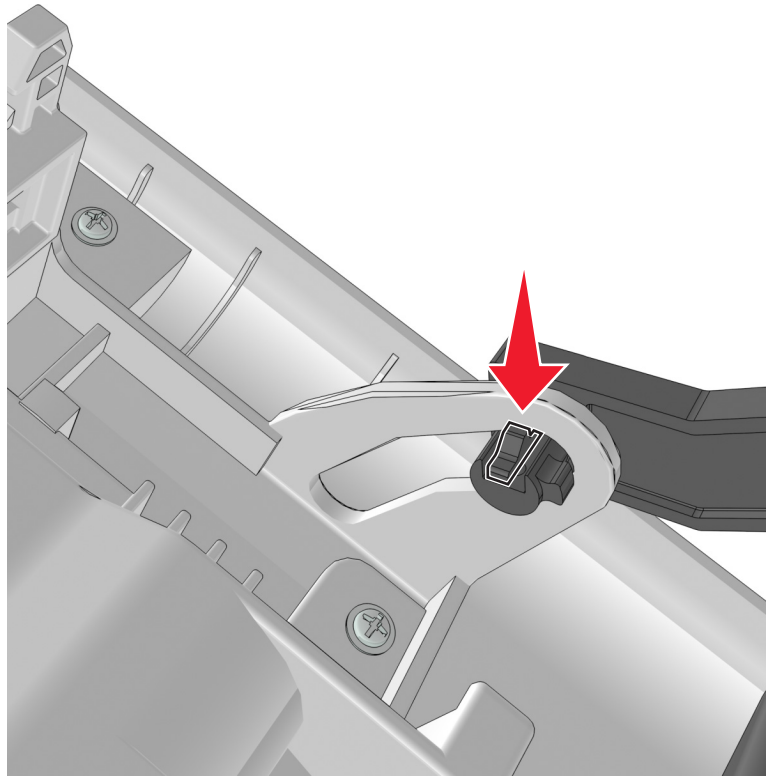


## Front door removal

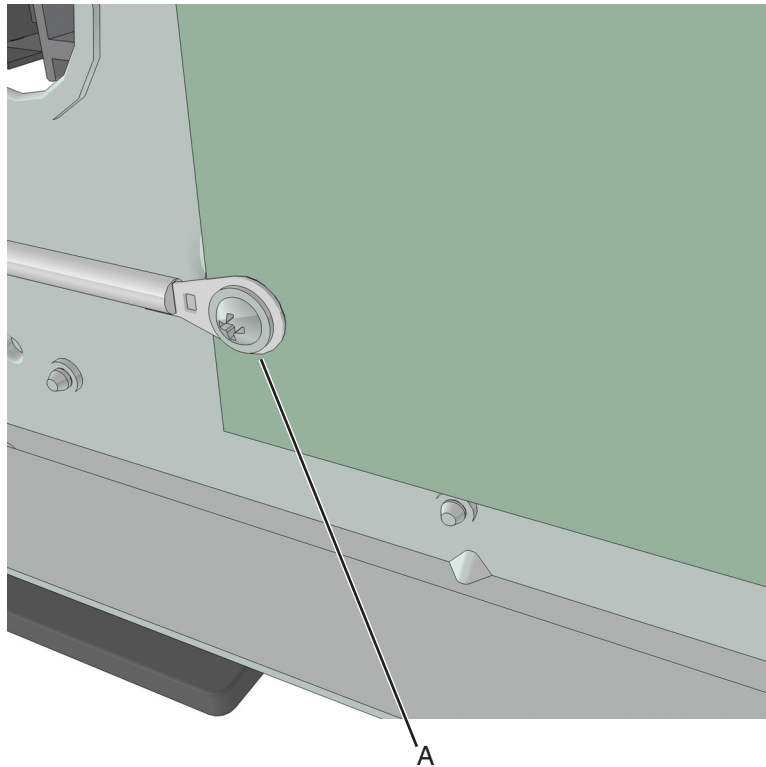
**Note:** This is not a FRU.

- 1 Remove the right cover. See [“Right cover removal” on page 188](#).
- 2 Disconnect the cable JOPP1 or JOPP2 from the controller board.
- 3 Disconnect the cable JCVR1 from the controller board.

**4** Squeeze the latch, and then detach the link from the front door.

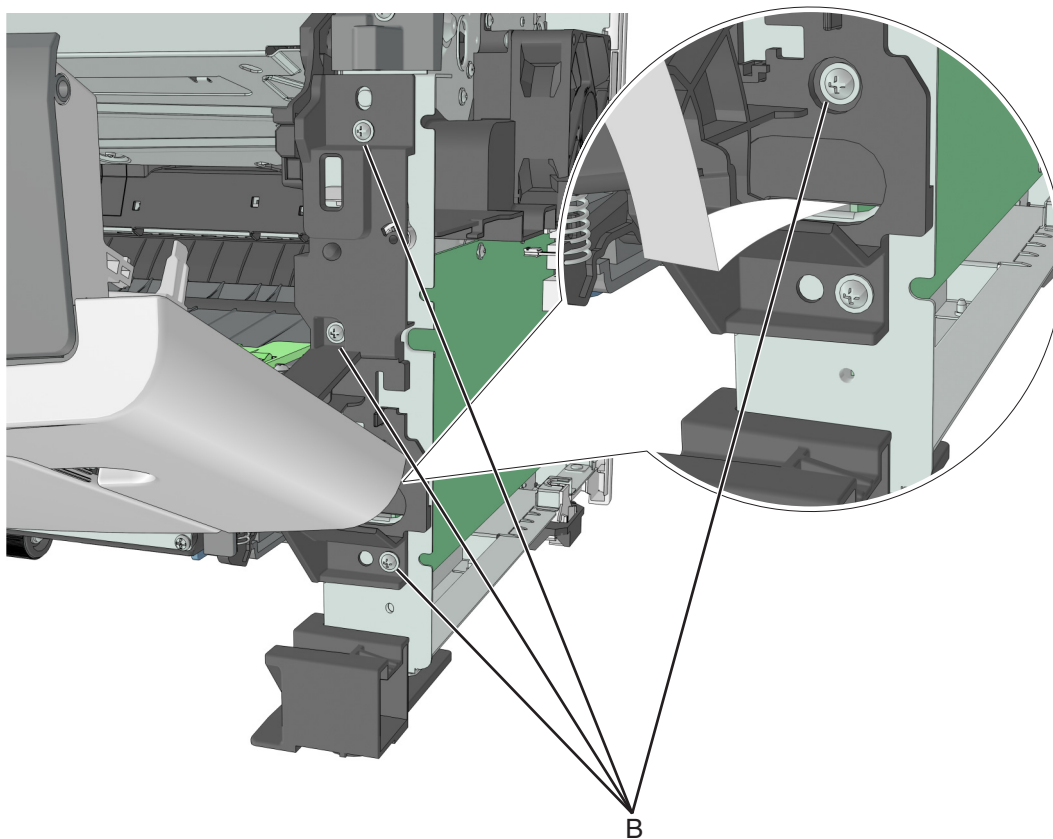


**5** Remove the screw (A) to disconnect the ground wire.



Repair information

- 6** Remove the four screws (B).



- 7** Remove the right front mount, and then remove the front door.  
Below are the front door and the right front mount.



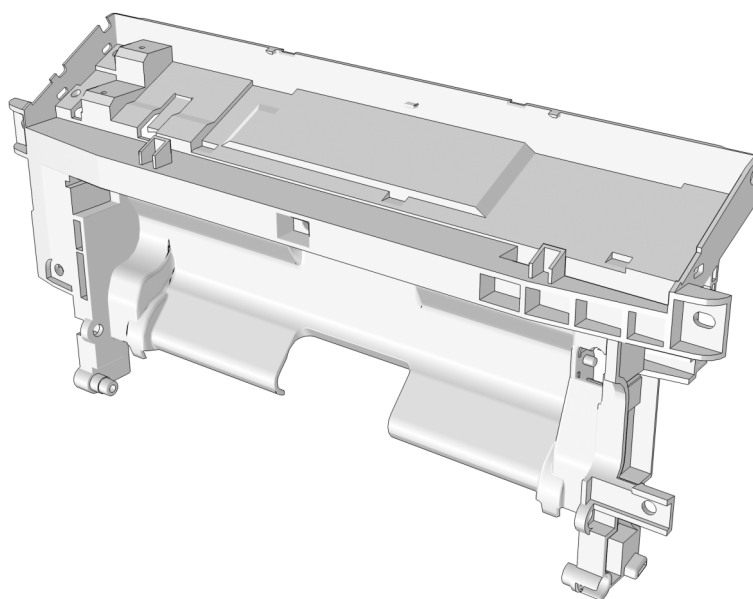
**Installation notes:**

- a** Mount the left side of the front door to the printer.
- b** Attach the right front mount to the front door.

- c Install the right front mount to the printer.

## Front access cover removal

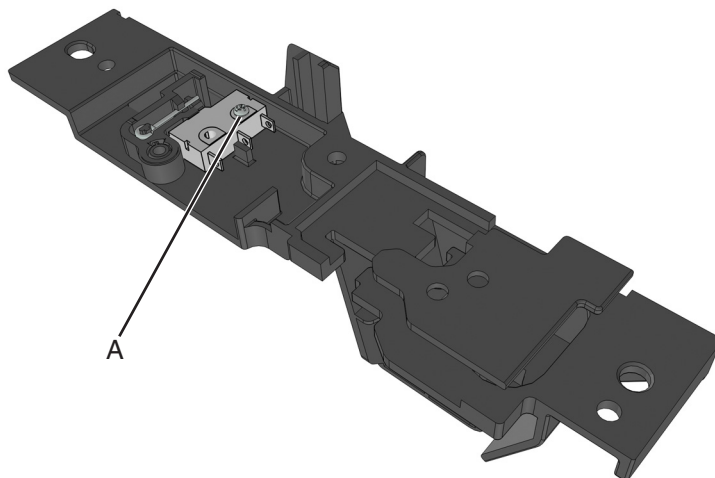
- 1 Remove the right cover. See [“Right cover removal” on page 188.](#)
- 2 Remove the front door. See [“Front door removal” on page 210.](#)
- 3 Remove the nameplate. See [“Nameplate removal” on page 202.](#)
- 4 Remove the MPF assembly. See [“MPF assembly removal” on page 205.](#)
- 5 Remove the bezel. See [“Bezel removal” on page 201.](#)
- 6 Remove the control panel assembly. See [“Control panel assembly removal” on page 202.](#)
- 7 The front access cover remains.



## Front door sensor removal

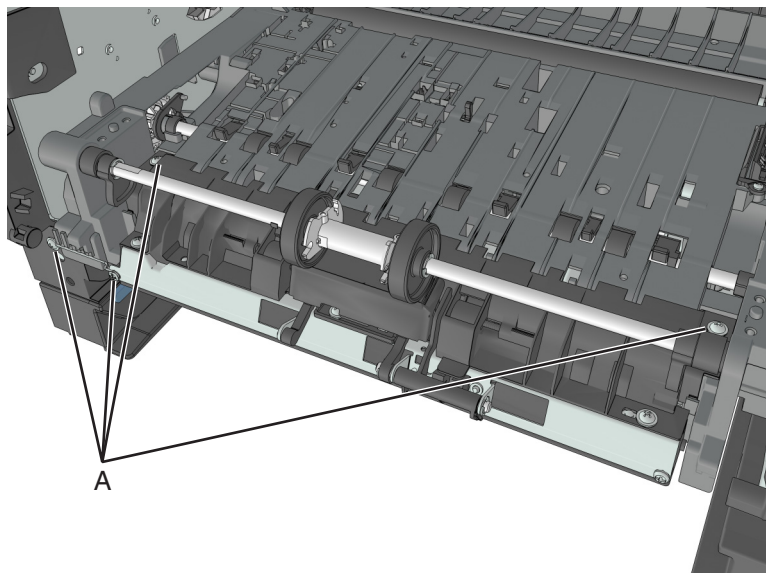
- 1 Remove the front door. See [“Front door removal” on page 210.](#)
- 2 From under the right front mount, remove the screw (A).

**Note:** Use a #0 Phillips screwdriver.



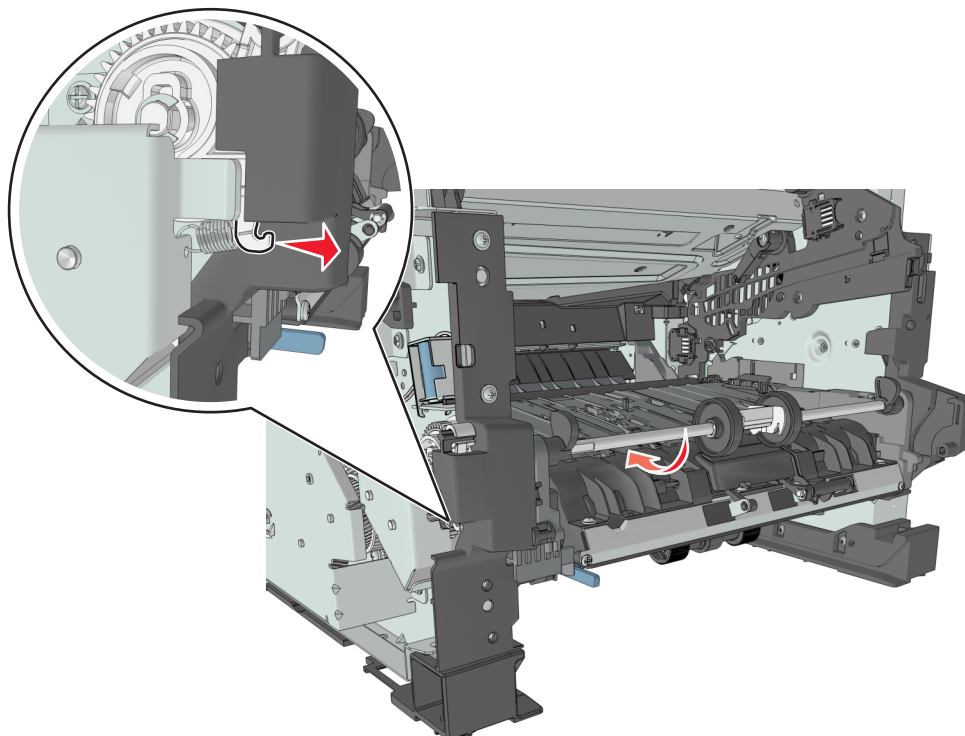
## Front input guide removal

- 1 Remove the right cover. See [“Right cover removal” on page 188.](#)
- 2 Remove the front door. See [“Front door removal” on page 210.](#)
- 3 Remove the MPF pick roller cover. See [“MPF pick roller cover removal” on page 208.](#)
- 4 Remove the MPF pick roller. See [“MPF pick roller removal” on page 208.](#)
- 5 Remove the jam access cover. See [“Jam access cover removal” on page 209.](#)
- 6 Disconnect cable JMPF1 from the controller board.
- 7 Remove the four screws (A).



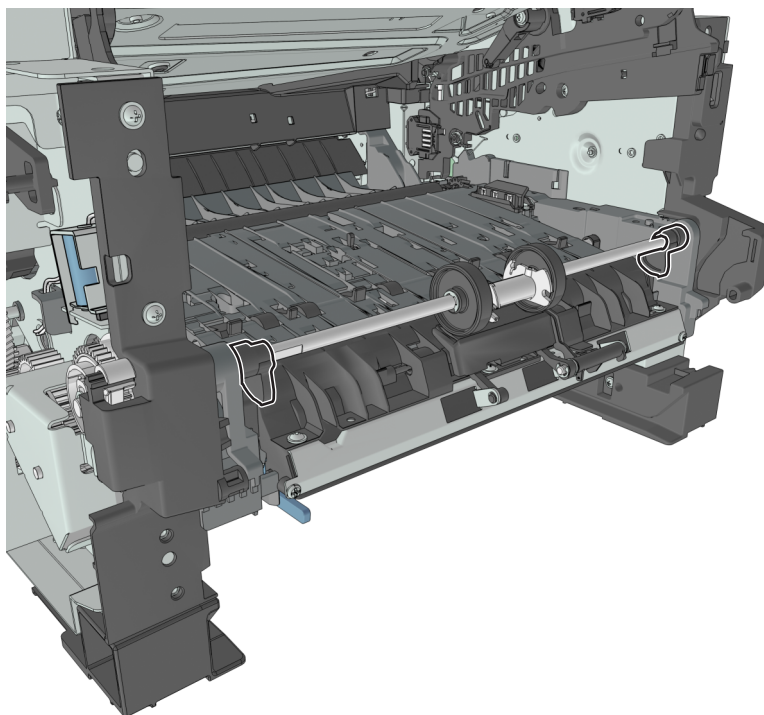
- 8 Push and hold the cam restraint to release the MPF shaft.

- 9 Rotate the MPF shaft inward so that the cams at each end point up.



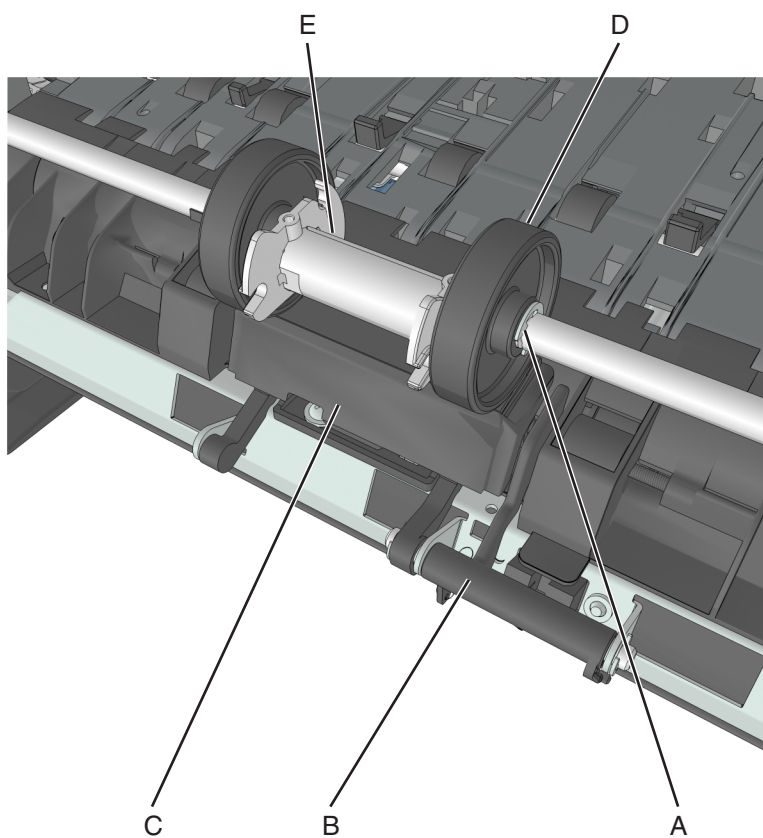
- 10 Release the front guide from the guides at each end.

**Installation note:** The cams at each end of the MPF shaft must point down.



## Separator pad removal

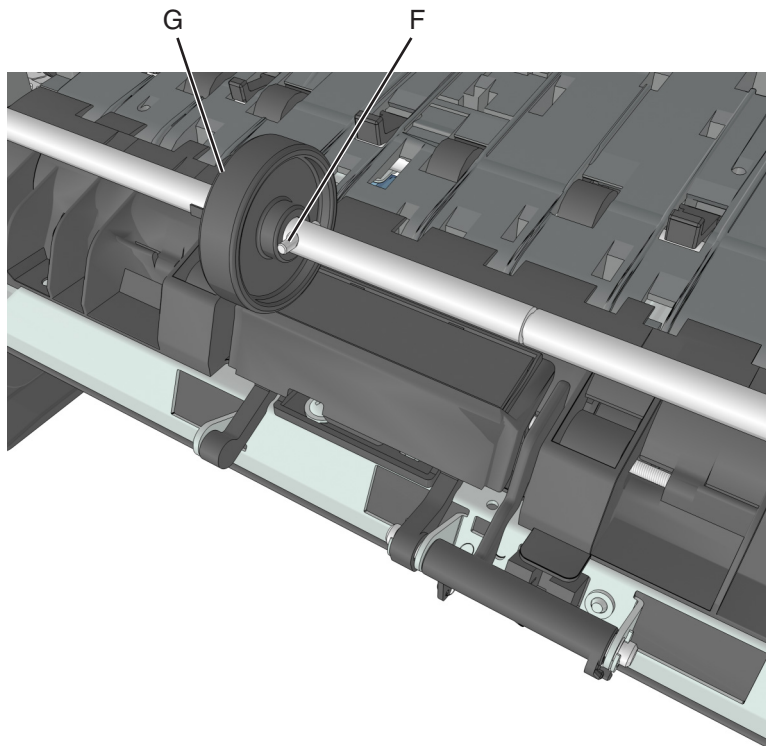
- 1 Remove the right cover. See [“Right cover removal” on page 188.](#)
- 2 Remove the front door. See [“Front door removal” on page 210.](#)
- 3 Remove the MPF pick roller cover. See [“MPF pick roller cover removal” on page 208.](#)
- 4 Remove the MPF pick roller. See [“MPF pick roller removal” on page 208.](#)
- 5 Remove the jam access cover. See [“Jam access cover removal” on page 209.](#)
- 6 Remove the E-clip (A).
- 7 While pressing down the MPF sensor flag (B) and separator pad (C), move the restraint roller (D) and MPF pick roller hub (E) to the right.



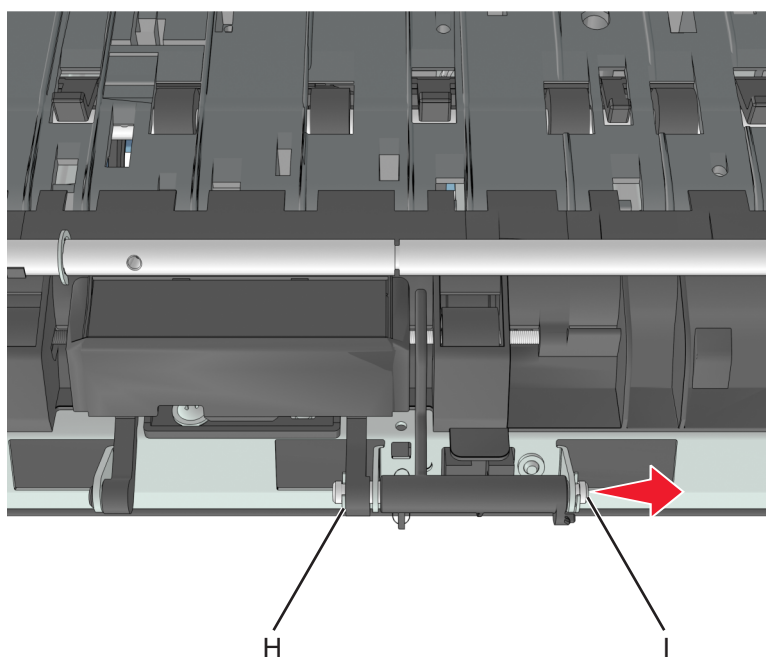
- 8 Remove the pin (F).



- 9** While pressing down the MPF sensor flag and separator pad, move the restraint roller (G) to the right.



- 10** Remove the E-clip (H), and then move the shaft (I) to the right.

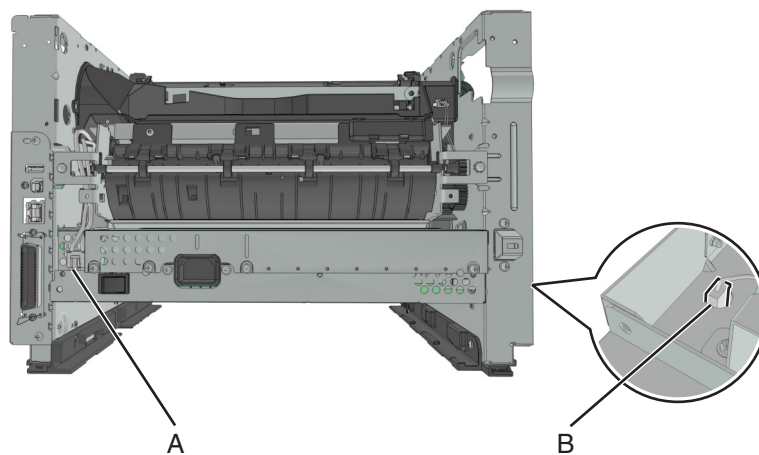


- 11** Remove the separator pad and the spring underneath.

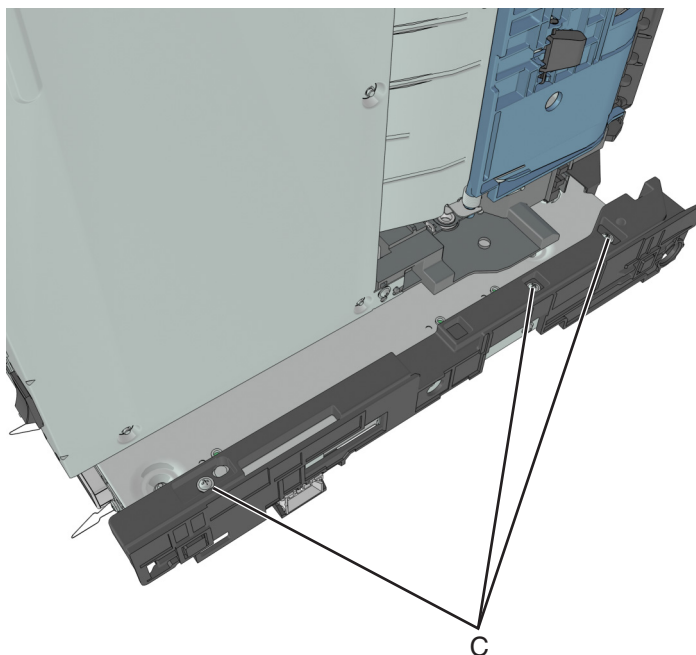
## Bottom removals

### Power supply removal

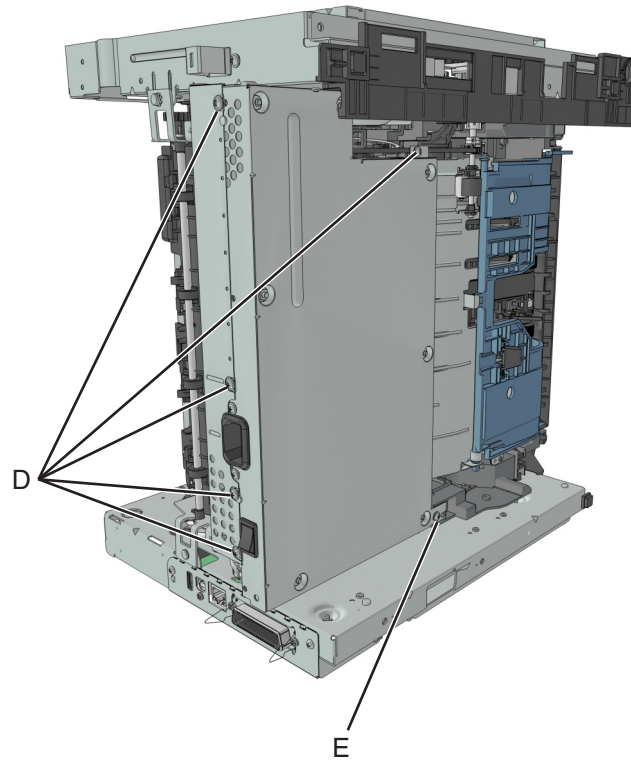
- 1 Remove the left cover. See [“Left cover removal” on page 173.](#)
- 2 Remove the rear door and cover. See [“Rear door and cover removal” on page 236.](#)
- 3 Disconnect the cable (A) from the rear, and disconnect the cable (B) from the left side.



- 4 Position the printer so that it sits on its right side.
- 5 Remove the three screws (C), and then remove the right tray guide.



- 6 Remove the five metal screws (D) and the plastic screw (E) securing the power supply.

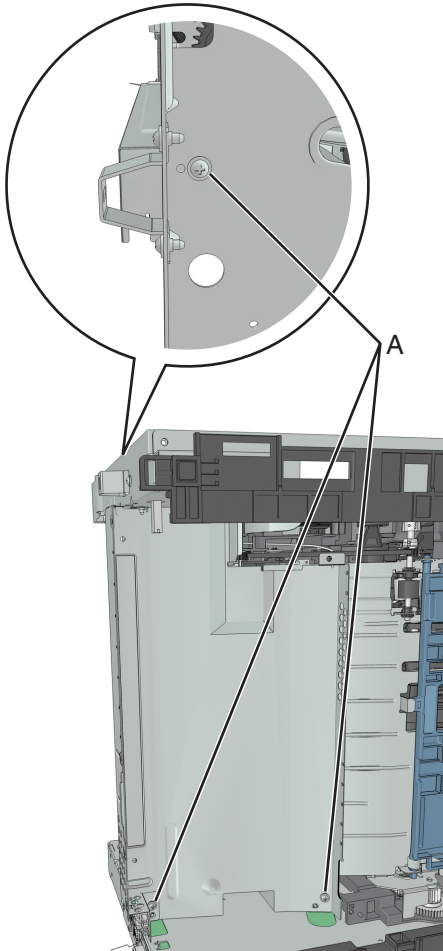


- 7 Remove the power supply, and then disconnect all cables from the power supply.

## Power supply shield removal

- 1 Remove the left cover. See [“Left cover removal” on page 173.](#)
- 2 Remove the rear door and cover. See [“Rear door and cover removal” on page 236.](#)
- 3 Remove the power supply. See [“Power supply removal” on page 218.](#)
- 4 Position the printer so that it sits on its right side.

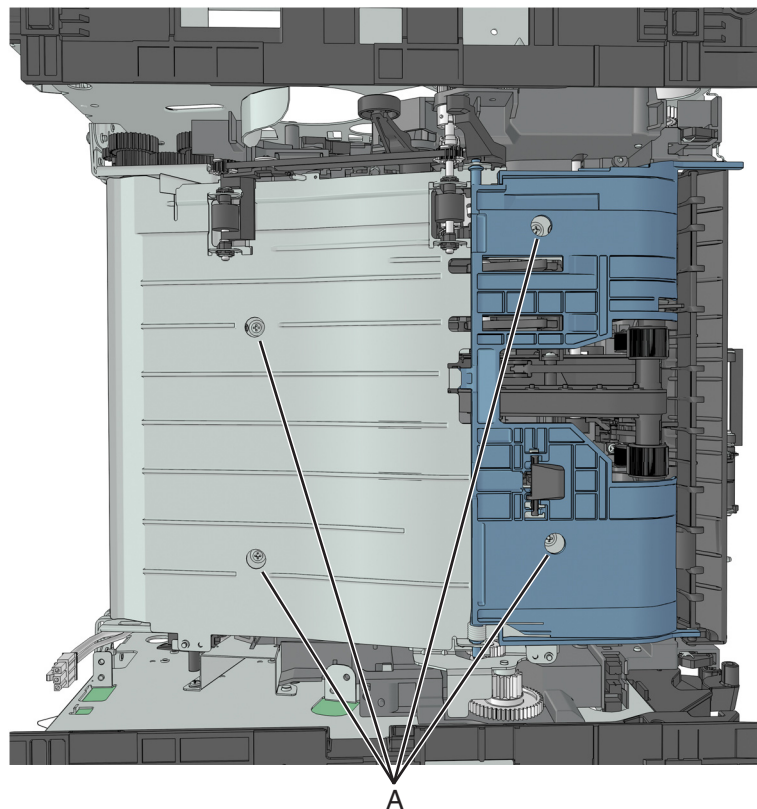
- 5 Remove the three screws (A), and then remove the power supply shield.



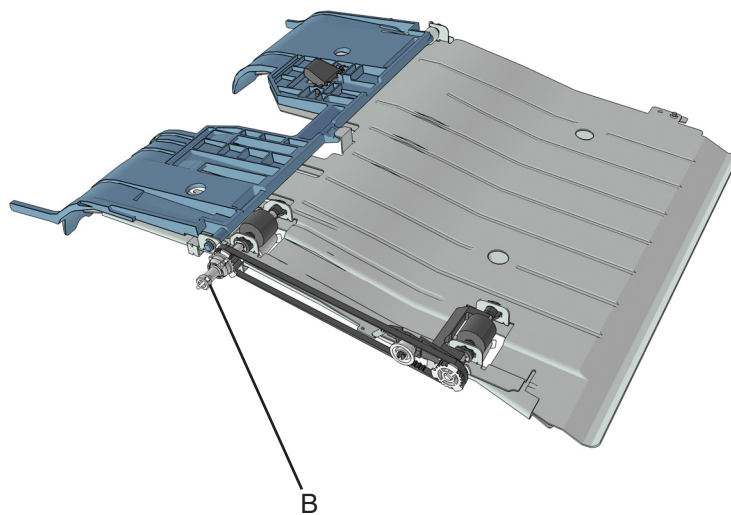
## Duplex removal

- 1 Remove the left cover. See [“Left cover removal” on page 173.](#)
- 2 Remove the rear door and cover. See [“Rear door and cover removal” on page 236.](#)
- 3 Remove the power supply. See [“Power supply removal” on page 218.](#)
- 4 Remove the power supply shield. See [“Power supply shield removal” on page 219.](#)
- 5 Position the printer so that it sits on its right side.

- 6 Remove the four screws (A) securing the duplex.



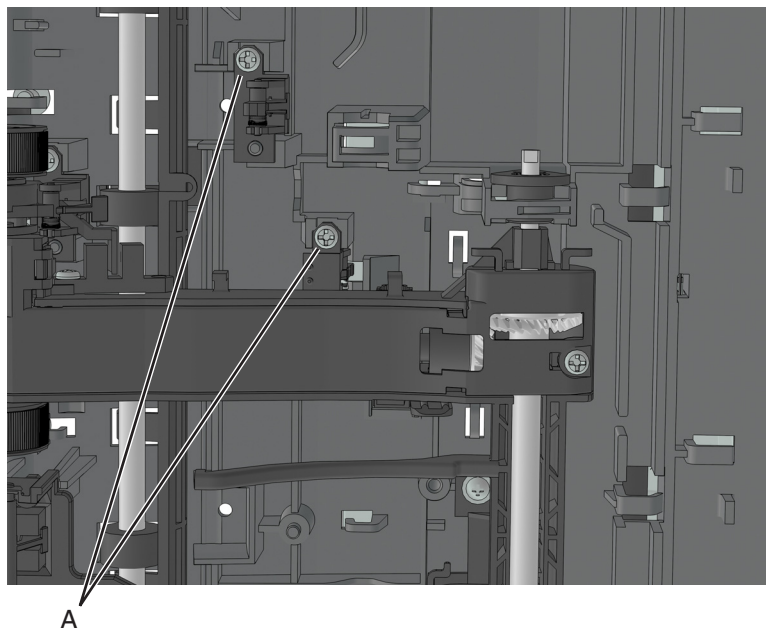
**Note:** The duplex link (B) is part of the FRU.



## Duplex sensor and input sensor removal

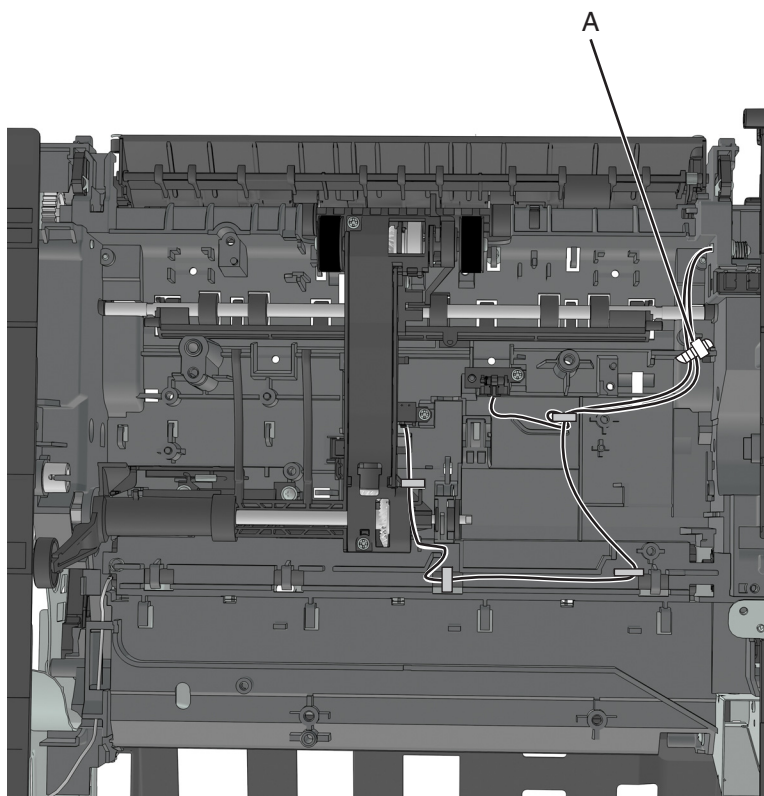
- 1 Remove the left cover. See [“Left cover removal” on page 173.](#)
- 2 Remove the right cover. See [“Right cover removal” on page 188.](#)
- 3 Remove the rear door and cover. See [“Rear door and cover removal” on page 236.](#)

- 4 Remove the power supply. See [“Power supply removal” on page 218](#).
- 5 Remove the power supply shield. See [“Power supply shield removal” on page 219](#).
- 6 Remove the duplex. See [“Duplex removal” on page 220](#).
- 7 Disconnect the cable JDUPPI 1 from the controller board.
- 8 Remove the two screws (A), and cut the cable near the frame to detach the sensors.



- 9 Remove the other half of the cable from the printer.

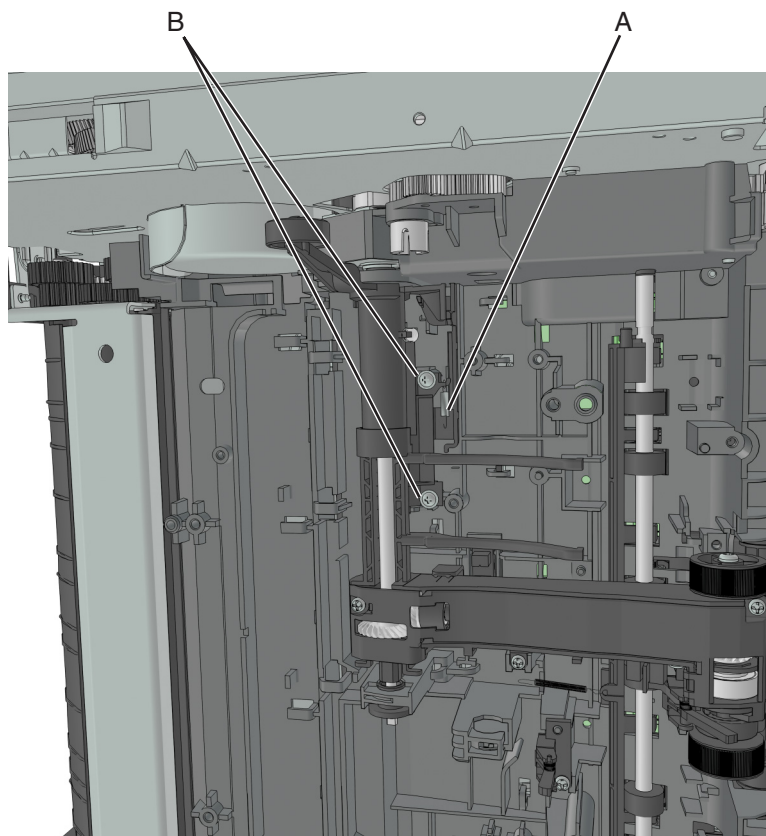
**Installation note:** Route the cable using the new path, and secure it with a cable tie (A).



## Toner density sensor removal

- 1 Remove the left cover. See [“Left cover removal” on page 173.](#)
- 2 Remove the main drive gearbox. See [“Main drive gearbox removal” on page 174.](#)
- 3 Remove the rear door and cover. See [“Rear door and cover removal” on page 236.](#)
- 4 Remove the power supply. See [“Power supply removal” on page 218.](#)
- 5 Remove the power supply shield. See [“Power supply shield removal” on page 219.](#)
- 6 Remove the duplex. See [“Duplex removal” on page 220.](#)
- 7 Disconnect the spring (A) from the printer.

**8** Remove the two screws (B), and then remove the sensor.

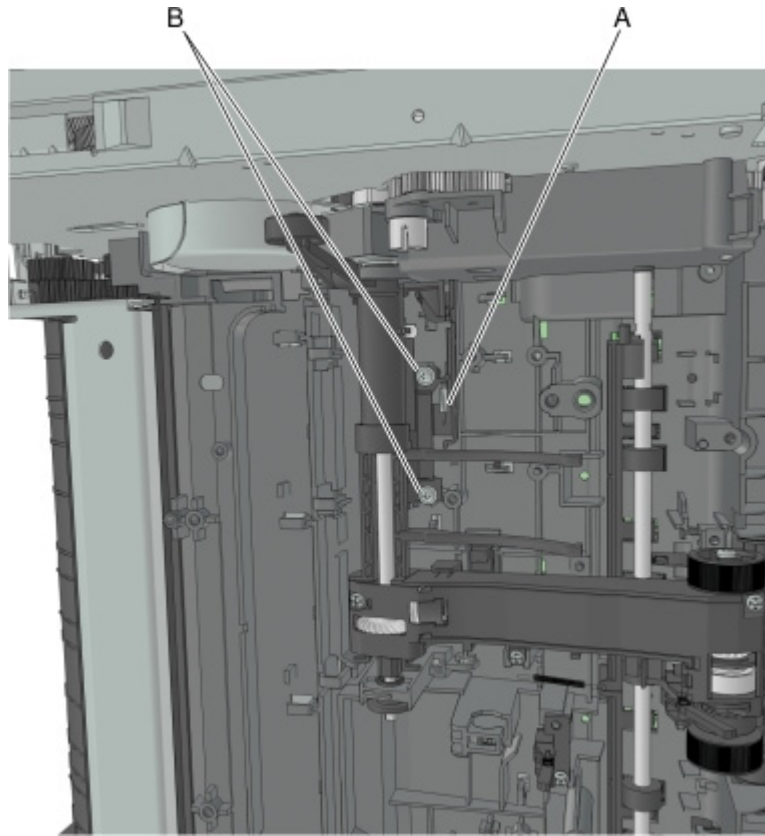


**9** Disconnect the cable from the sensor.



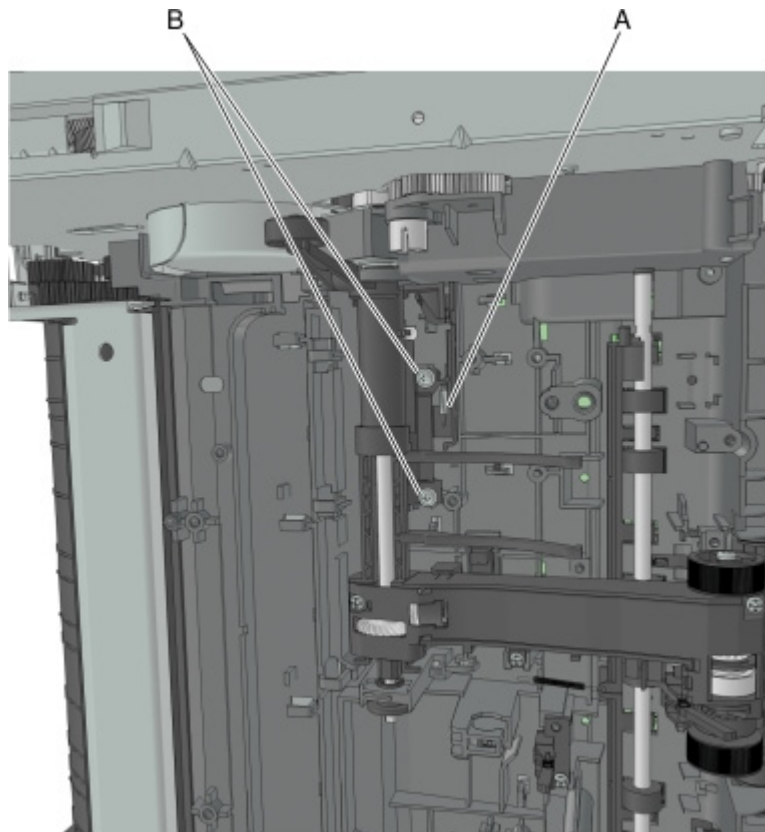
**Installation notes:**

- a** Apply RheoGel 793 to the top and bottom of the shutter blade extension.



- b** Apply RheoGel 793 to the point of contact between the bracket (A) and cam.

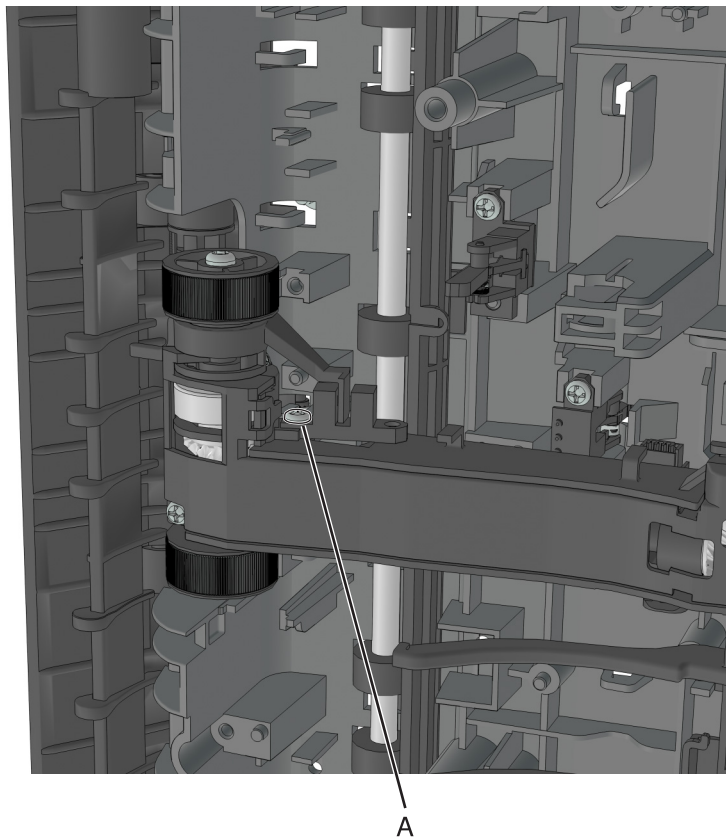
- c Apply RheoGel 793 to the point of contact to the lower edge (B) where the wiper bracket glides.



## Trailing edge sensor removal

- 1 Remove the left cover. See [“Left cover removal” on page 173.](#)
- 2 Remove the right cover. See [“Right cover removal” on page 188.](#)
- 3 Remove the rear door and cover. See [“Rear door and cover removal” on page 236.](#)
- 4 Remove the power supply. See [“Power supply removal” on page 218.](#)
- 5 Remove the power supply shield. See [“Power supply shield removal” on page 219.](#)
- 6 Remove the duplex. See [“Duplex removal” on page 220.](#)
- 7 Disconnect the cable JACM1 from the controller board, and cut it near the frame.

- 8 Remove the screw (A), and then remove the sensor.

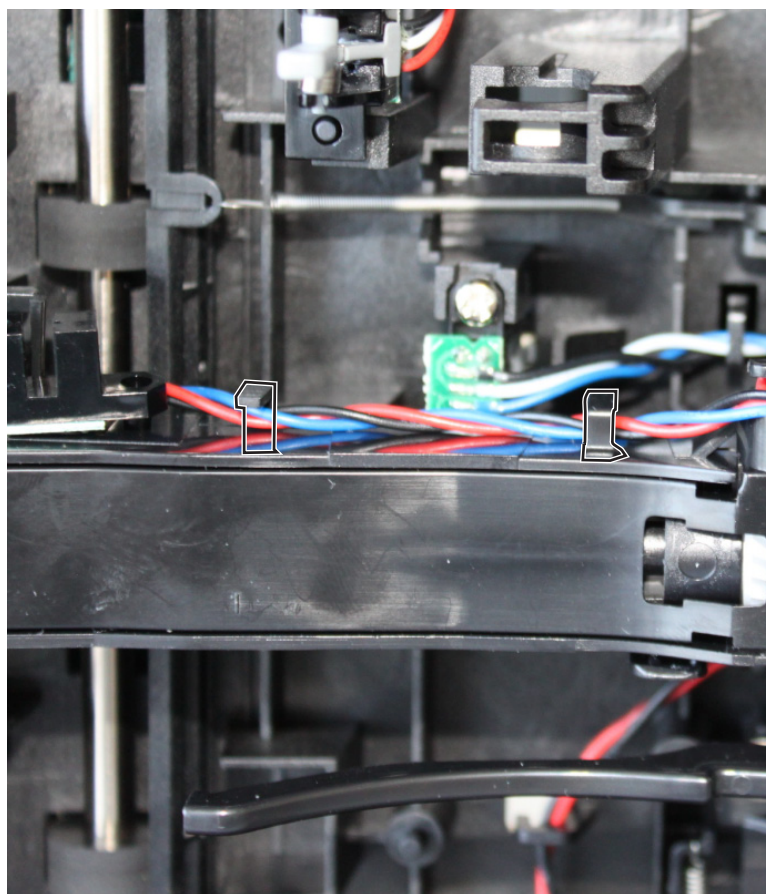


- 9 Remove the other half of the cable from the printer.

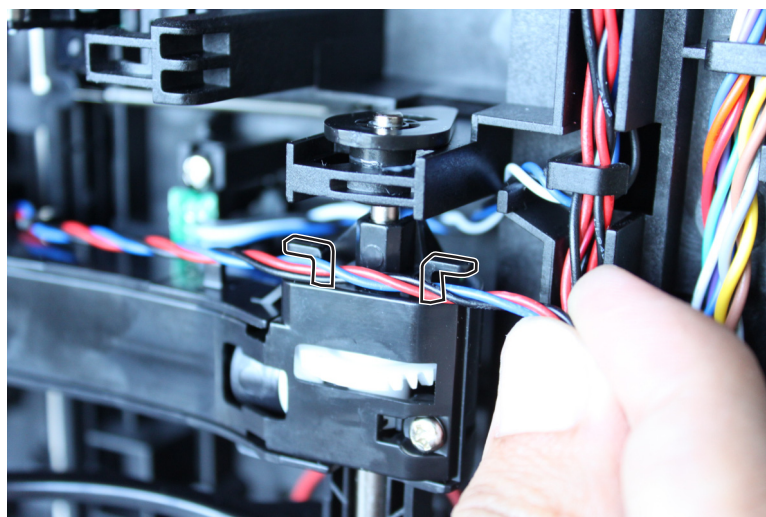
**Installation notes:**

- a Install the sensor to the ACM.
- b Route the cable along the two cable holders on the side of the ACM.

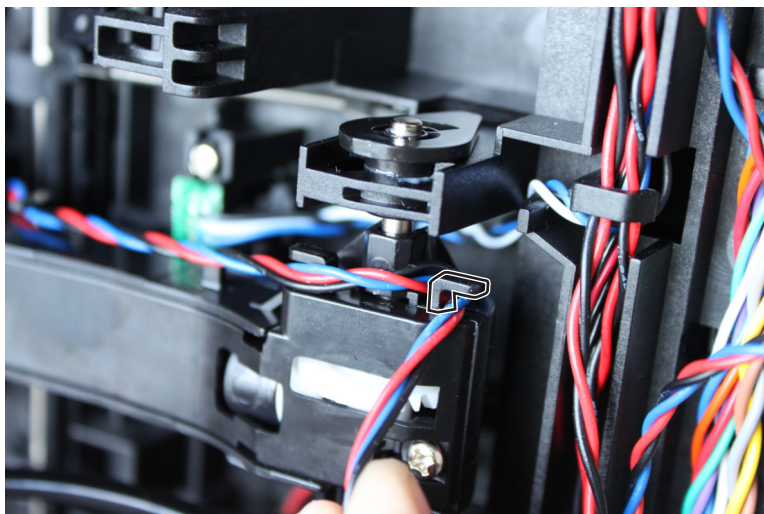
**Note:** Make sure that the cable is not loose.



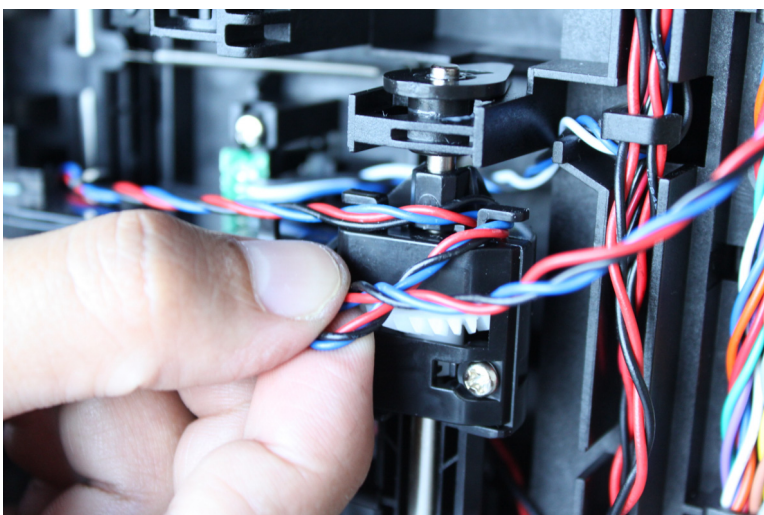
**c** Bring the cable in front of the two cable holders near the ACM shaft.



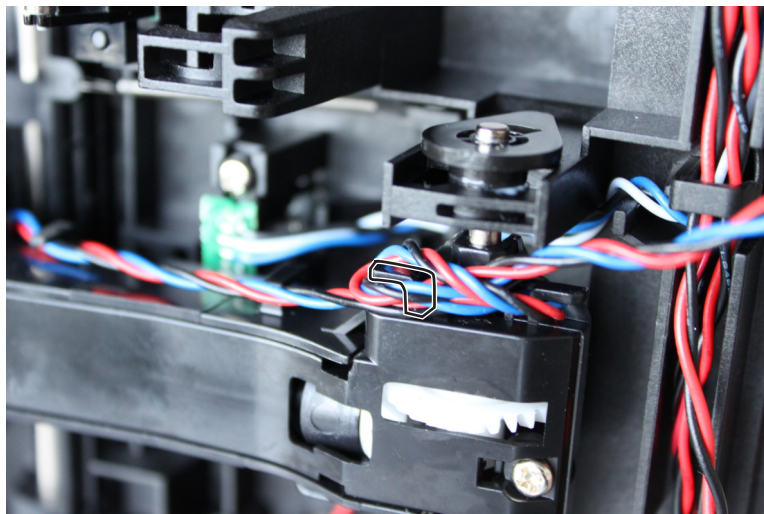
**d** Loop the cable behind the right cable holder.



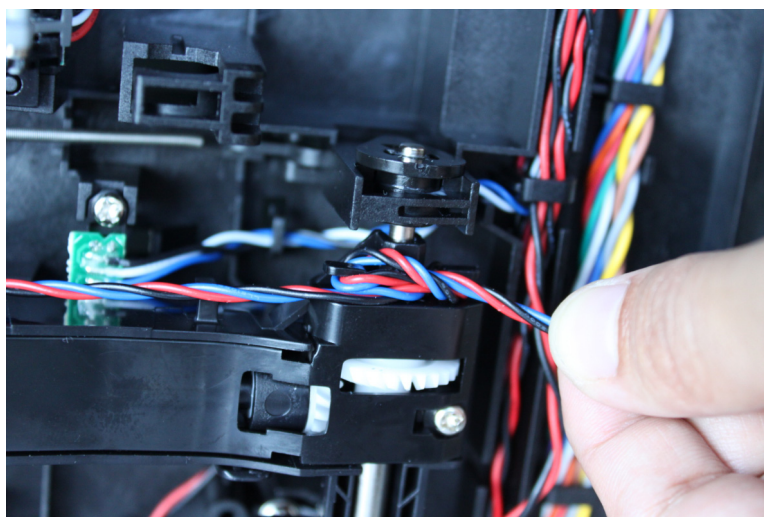
**e** Twist the cable so that it forms a loop.



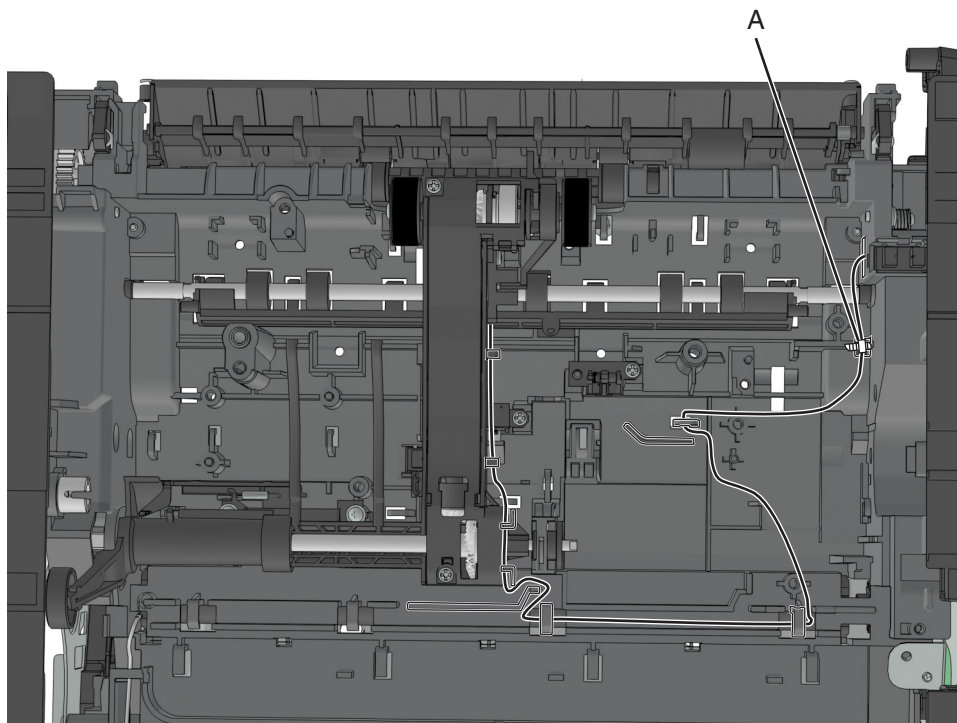
**f** Place the loop over the left cable holder.



**g** Pull the free end to make sure that the cable is tightly looped around the cable holders.



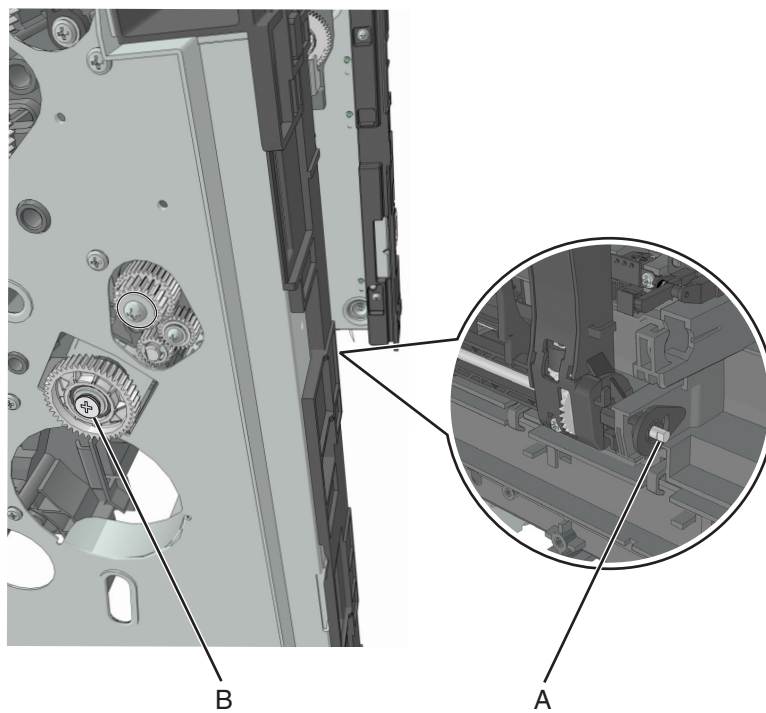
- h** Route the cable using the new path, and secure it with a cable tie (A).



## ACM assembly removal

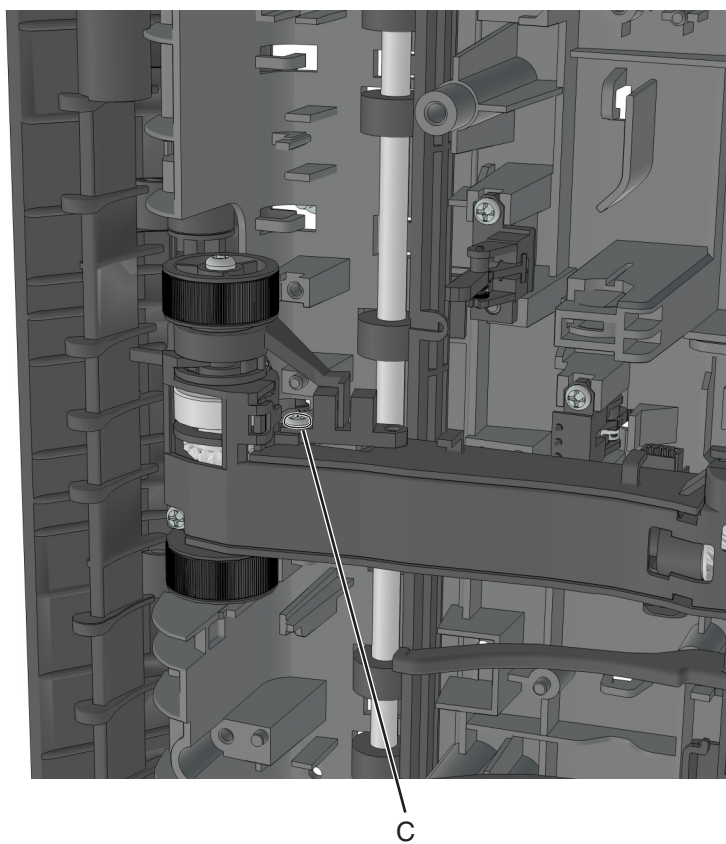
- 1** Remove the left cover. See [“Left cover removal” on page 173.](#)
- 2** Remove the main drive gearbox. See [“Main drive gearbox removal” on page 174.](#)
- 3** Remove the rear door and cover. See [“Rear door and cover removal” on page 236.](#)
- 4** Remove the power supply. See [“Power supply removal” on page 218.](#)
- 5** Remove the power supply shield. See [“Power supply shield removal” on page 219.](#)
- 6** Remove the duplex. See [“Duplex removal” on page 220.](#)
- 7** Use a small flat-head screwdriver to block the roller (A) and prevent the shaft from rotating.

- 8** While blocking the roller, remove the screw (B).



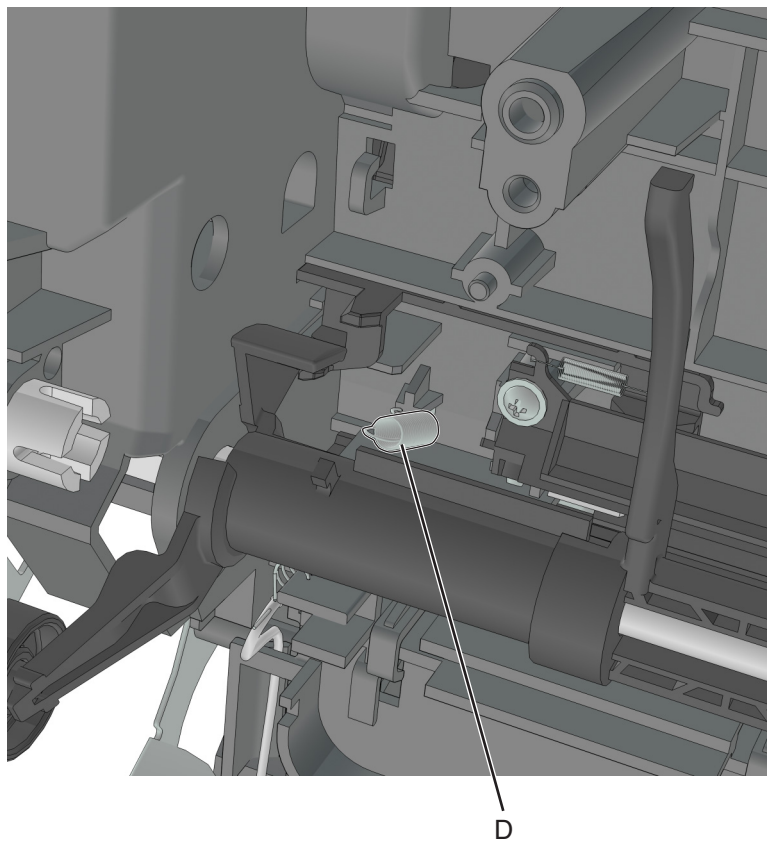
- 9** Pull out the ACM clutch, and leave it hanging.

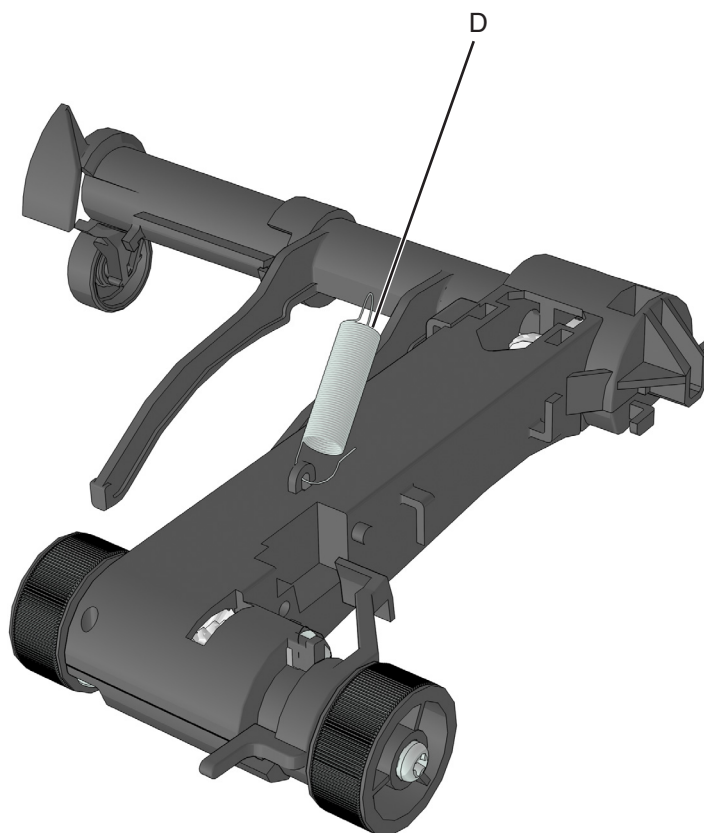
- 10** Remove the screw (C) and then detach the trailing edge sensor.





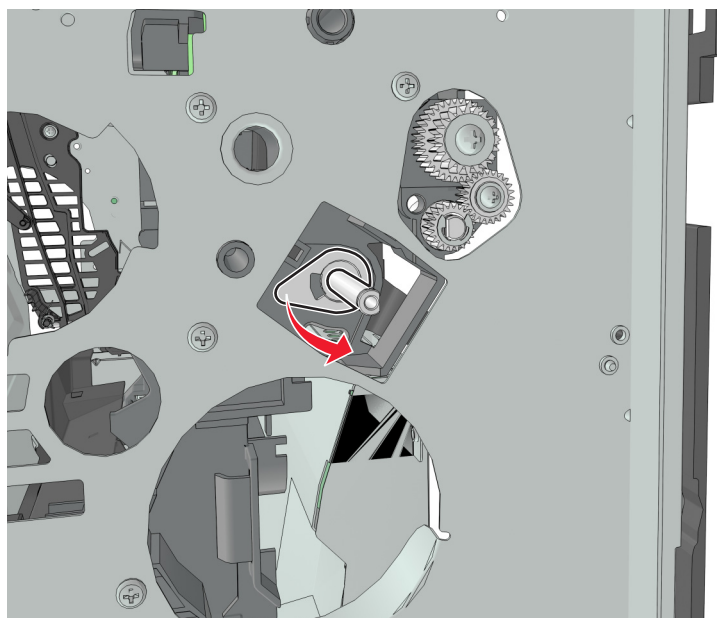
**11** Disconnect the two springs (D).





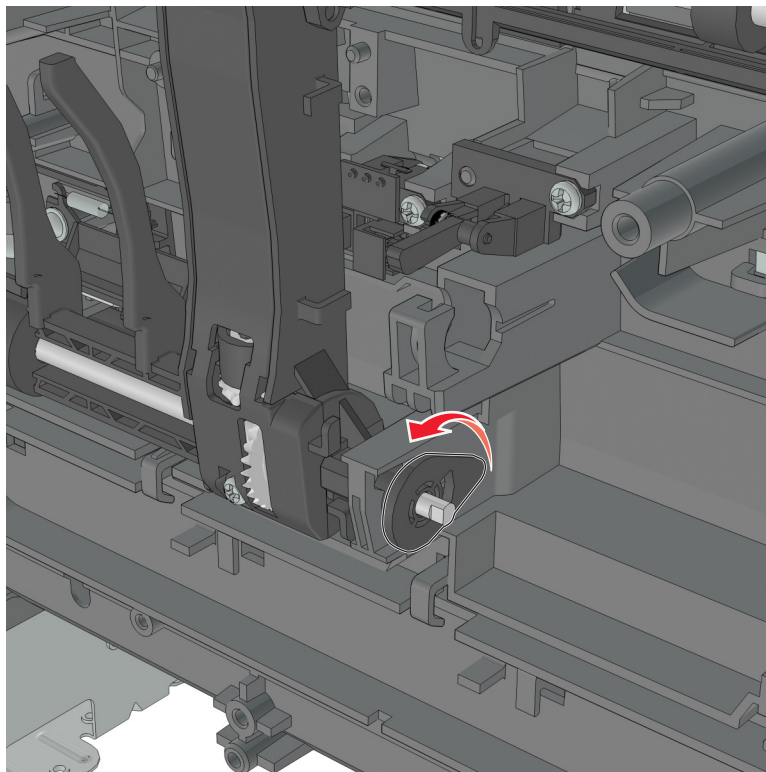
**12** Pry the pointed end of the ACM bushing to release the locking pin underneath.

**13** Rotate, and then remove the ACM bushing.



**14** Pry the pointed end of the 2nd pickup pushing to release the locking pin underneath.

**15** Rotate, and then remove the 2nd pickup bushing.

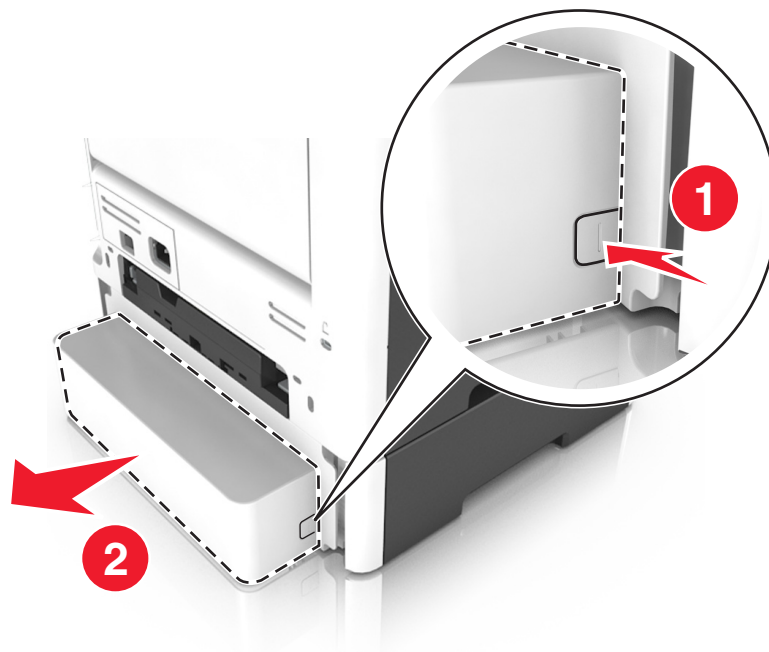


**16** Pull out the shaft, and remove the ACM.

## Rear side removals

### Dust cover removal

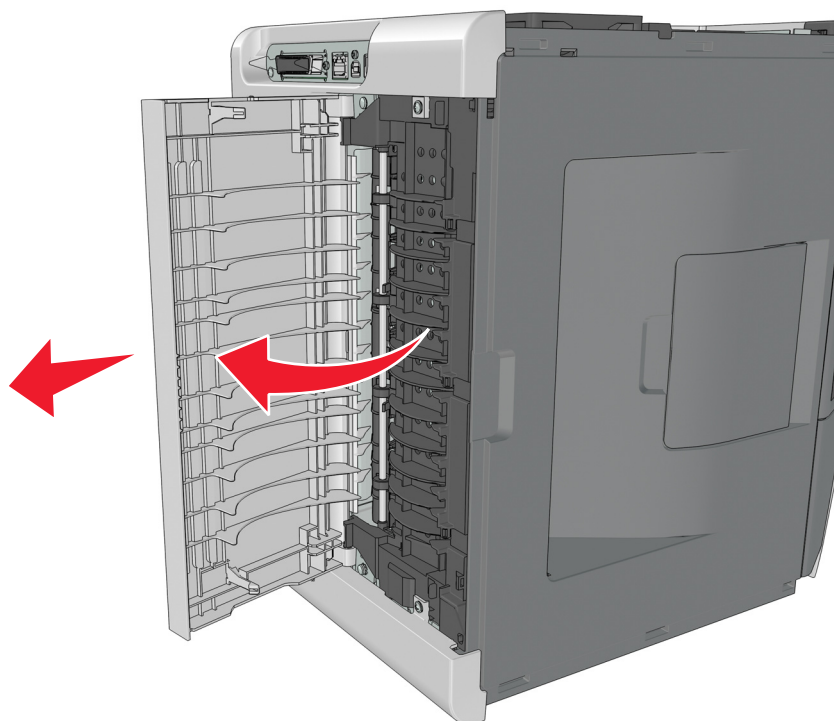
- 1 Press the latches on each side of the dust cover.
- 2 Remove the dust cover.



### Rear door and cover removal

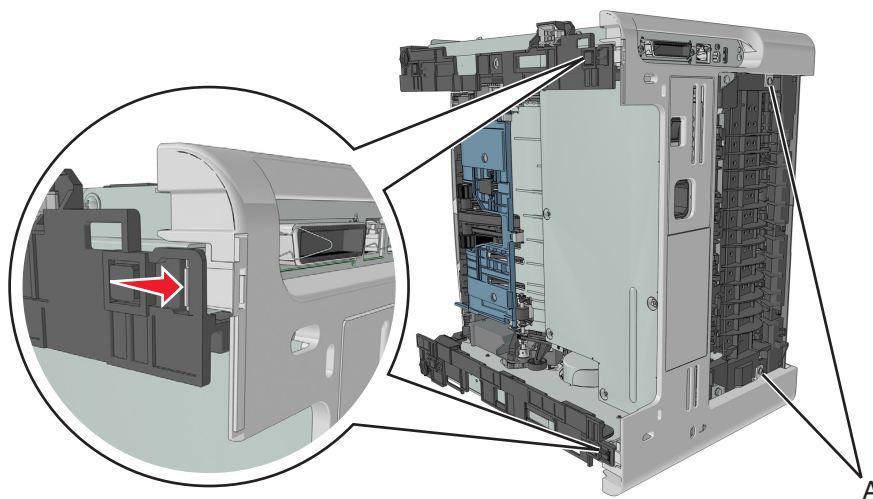
- 1 Position the printer so that it sits on either its left or right side.
- 2 Open the rear door at an angle of 45 degrees.

- 3 Pull the rear door to remove.



- 4 Remove the two screws (A) securing the rear cover.

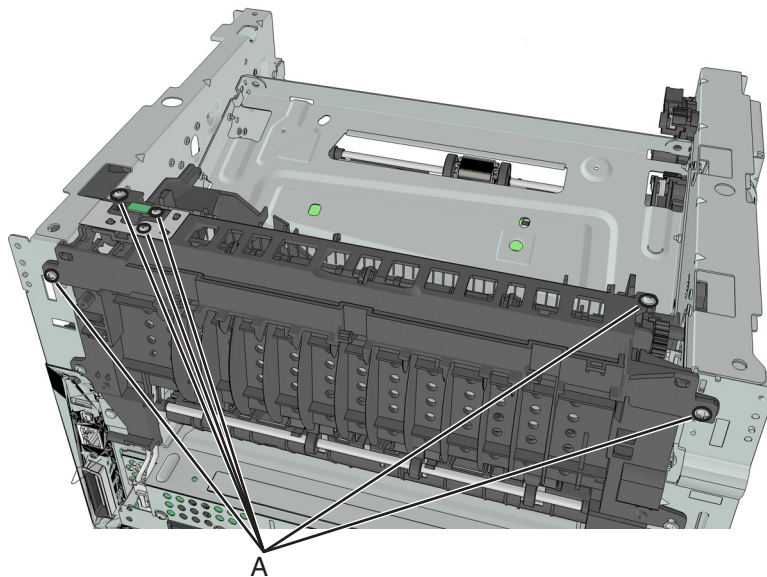
- 5 Press the two latches to release the rear cover.



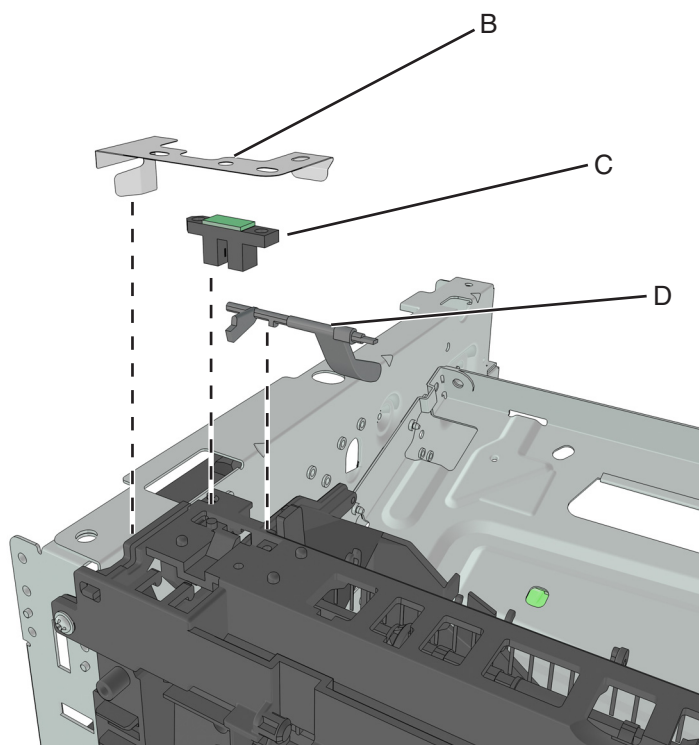
### Narrow media/bin full sensor removal

- 1 Remove the right cover. See [“Right cover removal” on page 188.](#)
- 2 Remove the left cover. See [“Left cover removal” on page 173.](#)
- 3 Remove the rear door and cover. See [“Rear door and cover removal” on page 236.](#)

- 4 Remove the top cover. See [“Top cover removal” on page 243](#).
- 5 Disconnect the cable JNRW1 from the controller board.
- 6 Remove the six screws (A) securing the sensor and upper exit guide to the redrive assembly.



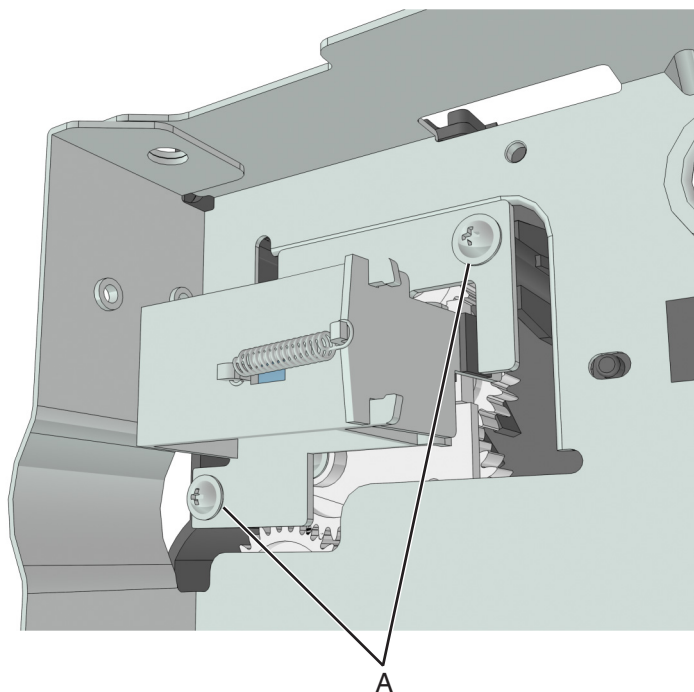
- 7 Remove the ground (B), sensor (C), and sensor flag (D).



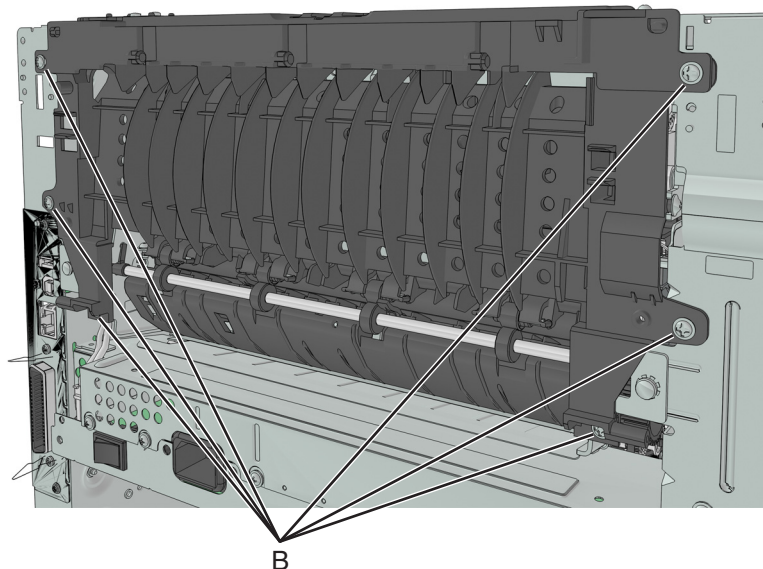
## Redrive assembly removal

- 1 Remove the right cover. See [“Right cover removal” on page 188.](#)
- 2 Remove the left cover. See [“Left cover removal” on page 173.](#)
- 3 Remove the rear door and cover. See [“Rear door and cover removal” on page 236.](#)
- 4 Remove the top cover. See [“Top cover removal” on page 243.](#)
- 5 Disconnect the cable JNRW1 from the controller board.
- 6 Remove the two screws (A), and then detach the reverse solenoid.

**Note:** Do not disconnect the reverse solenoid cable from the controller board.

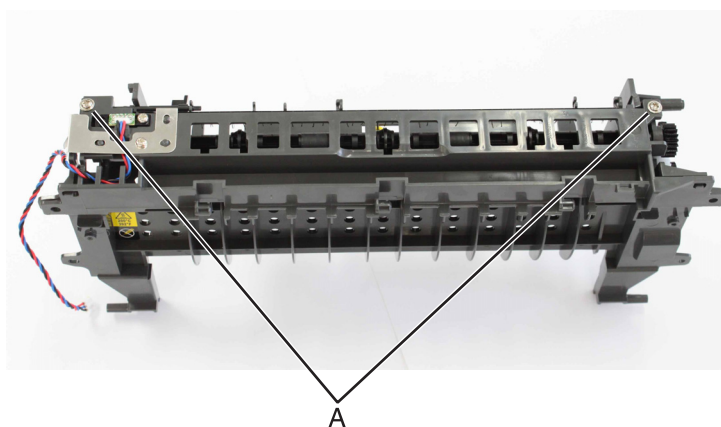


- 7 Remove the six screws (B) securing the redrive assembly.



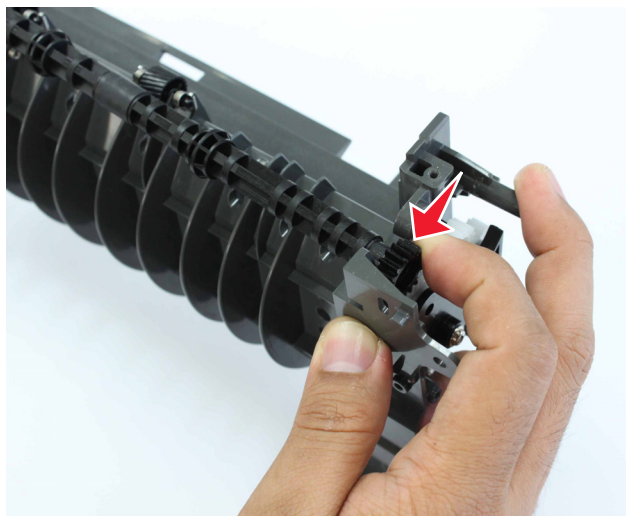
## Redrive shaft removal

- 1 Remove the right cover. See [“Right cover removal” on page 188.](#)
- 2 Remove the left cover. See [“Left cover removal” on page 173.](#)
- 3 Remove the rear door and cover. See [“Rear door and cover removal” on page 236.](#)
- 4 Remove the top cover. See [“Top cover removal” on page 243.](#)
- 5 Remove the redrive assembly. See [“Redrive assembly removal” on page 239.](#)
- 6 Remove the two screws (A), and then remove the top of the redrive assembly.





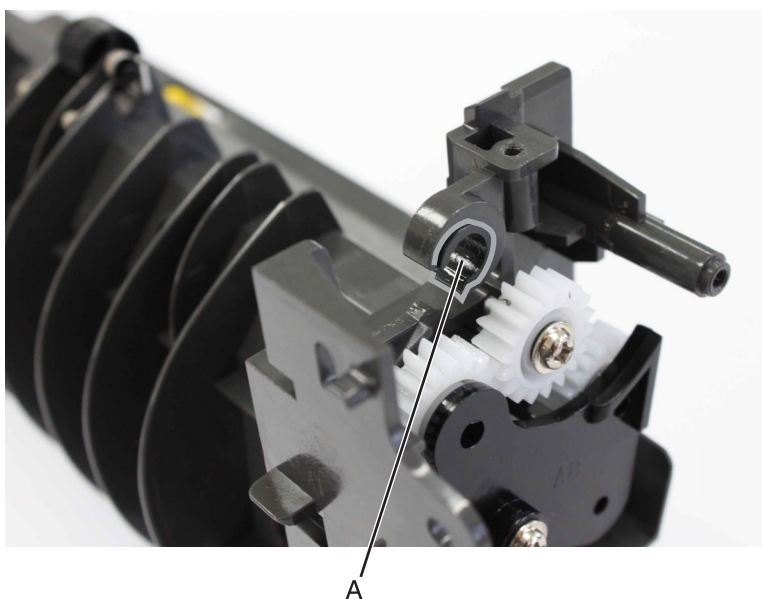
**7** Remove the shaft.



**8** If necessary, remove the bushing (B) from the redrive assembly.

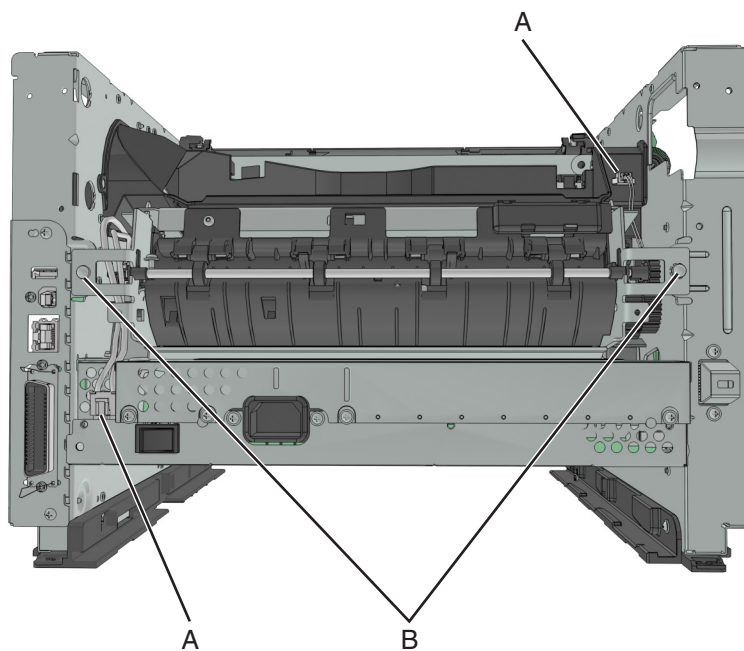


**Installation note:** Install the bushing (A) on the redrive assembly before installing the shaft.



## Fuser removal

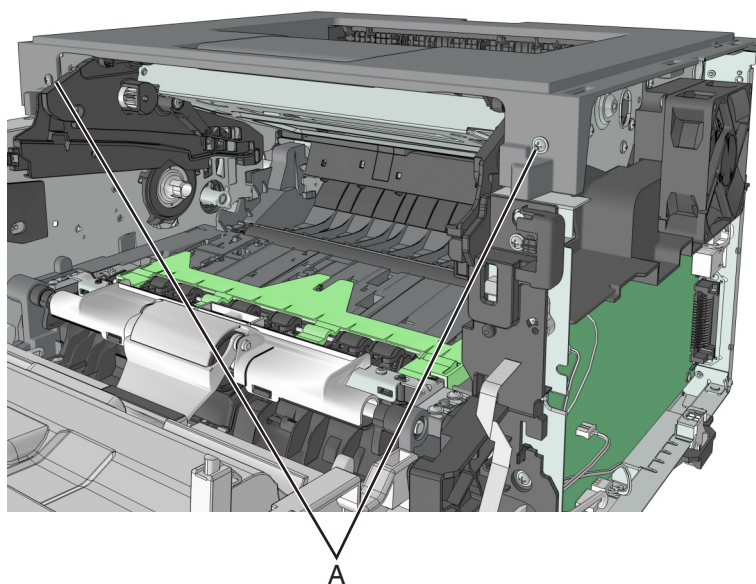
- 1 Remove the right cover. See [“Right cover removal” on page 188.](#)
- 2 Remove the rear door and cover. See [“Rear door and cover removal” on page 236.](#)
- 3 Remove the redrive assembly. See [“Redrive assembly removal” on page 239.](#)
- 4 Disconnect the cable JEXIT1 from the controller board.
- 5 Disconnect the two cables (A).
- 6 Remove the two screws (B) securing the fuser.



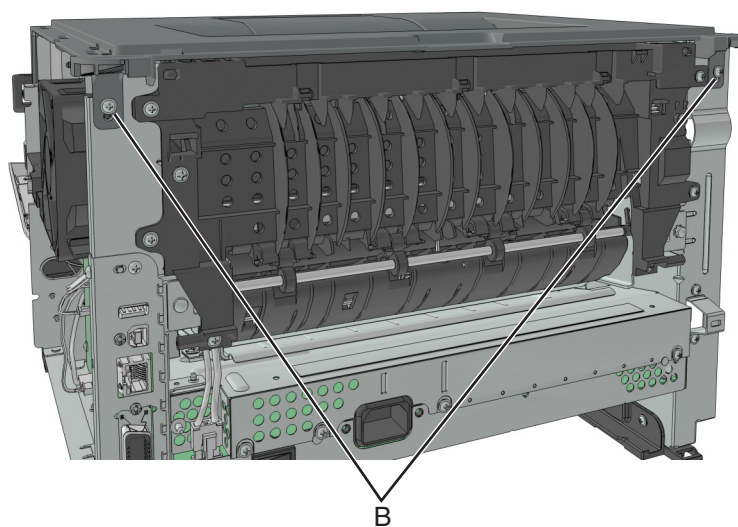
## Top side removals

### Top cover removal

- 1 Remove the right cover. See [“Right cover removal” on page 188.](#)
- 2 Remove the left cover. See [“Left cover removal” on page 173.](#)
- 3 Remove the rear door and cover. See [“Rear door and cover removal” on page 236.](#)
- 4 Open the front door.
- 5 Remove the two screws (A) in front.



- 6 Remove the two screws (B) at the rear.



- 7 Lift the top cover to remove.

## Laser scanning unit (LSU) removal

Before performing this task, determine first whether your printer supports a galvo or polygon LSU.

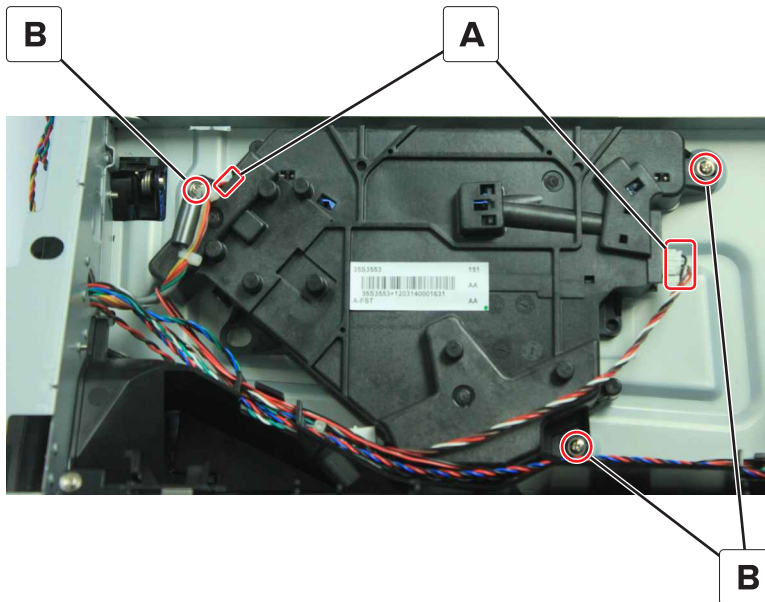
- Check the serial number of the printer. The LSU is galvo if the sixth digit character assigned is in the 0–9 or B–N range (example: **4514 20HH 007CR**). It is polygon if the sixth digit character assigned is in the P–Z range (example: **4514 2ZHH 007CR**).
- 1** Remove the right cover. See [“Right cover removal” on page 188](#).
  - 2** Remove the left cover. See [“Left cover removal” on page 173](#).
  - 3** Remove the rear door and cover. See [“Rear door and cover removal” on page 236](#).
  - 4** Remove the top cover. See [“Top cover removal” on page 243](#).
  - 5** Remove the cooling fan. See [“Cooling fan removal” on page 188](#).
  - 6** Disconnect the cable JGLV1 or J6 from the controller board.
  - 7** Before loosening the screws securing the LSU, use a sharp pencil or a small, flat-blade screwdriver to mark the location of the LSU on the printer frame. This marking helps in positioning the new LSU.



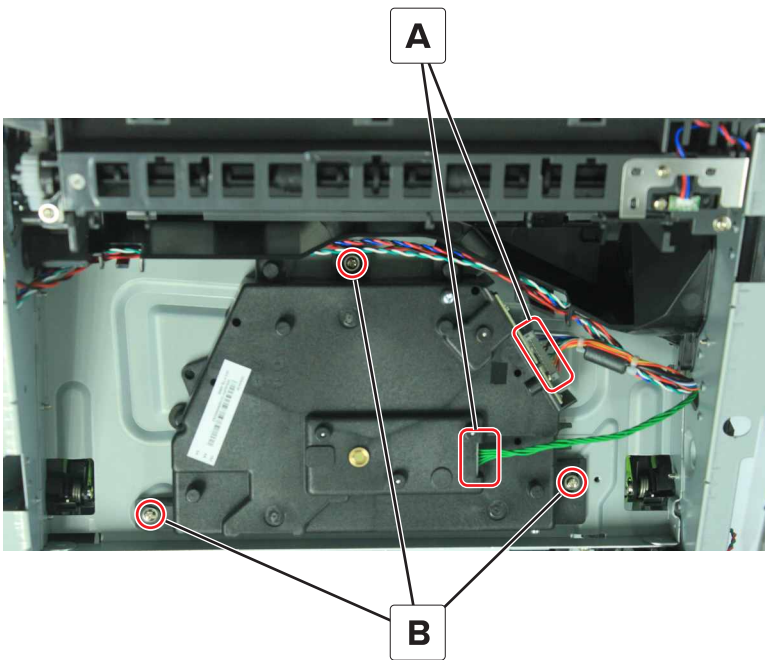
- 8** Disconnect the two cables (A), and then remove the three screws (B) securing the LSU.

The color and location of the cables as well as the screws vary depending on the type of LSU that the printer supports.

- **Galvo LSU**

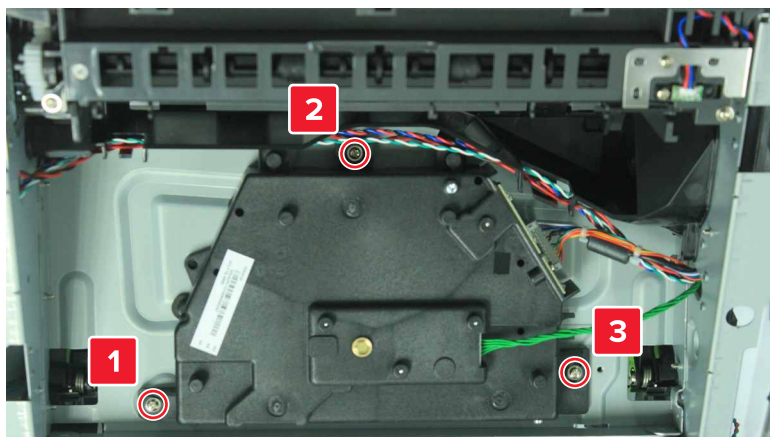


- **Polygon LSU**



**Installation notes:**

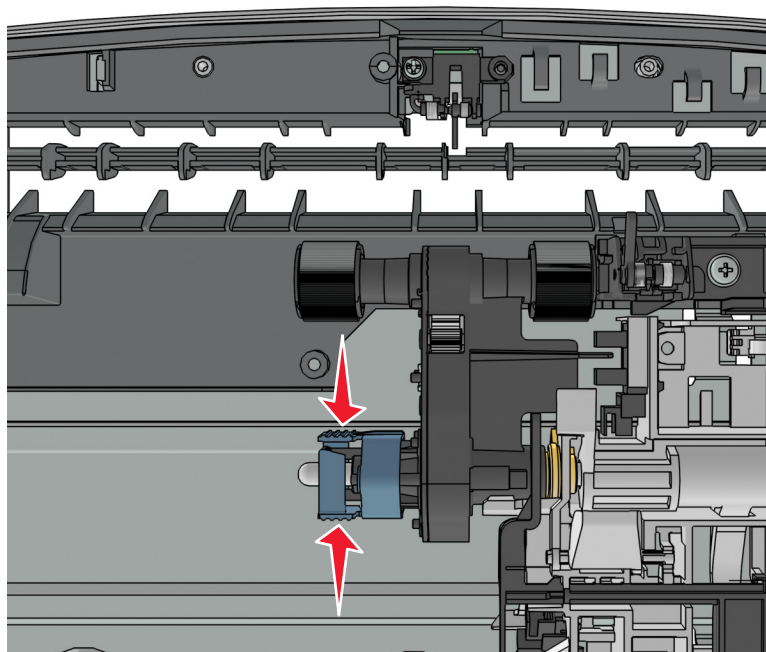
- Mechanical and electronic LSU adjustments are required to complete the installation of the LSU. See [“Printhead assembly adjustments” on page 170.](#)
- When reinstalling the polygon LSU, make sure to follow the sequence, as indicated by the number, in the tightening of the screws; otherwise, 111.xx error would occur.



## 250/550-sheet option tray removals

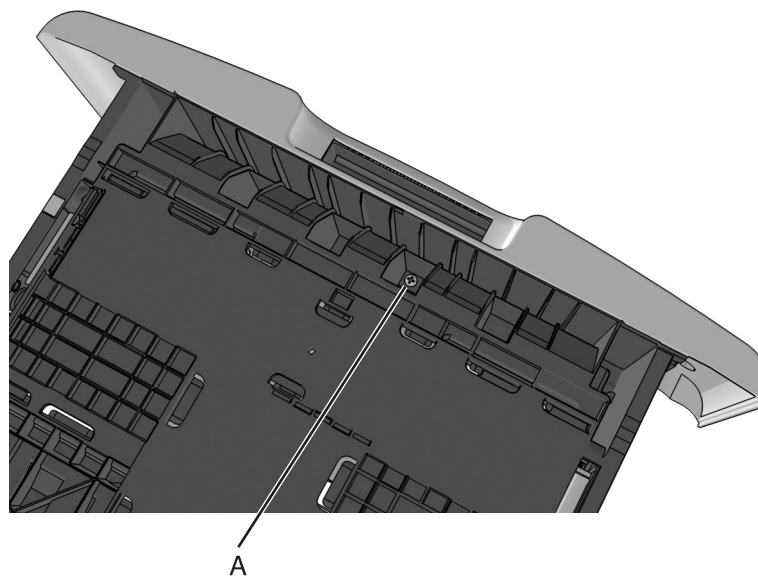
### Pick roller removal

- 1 Press the latches.
- 2 Remove the pick roller.

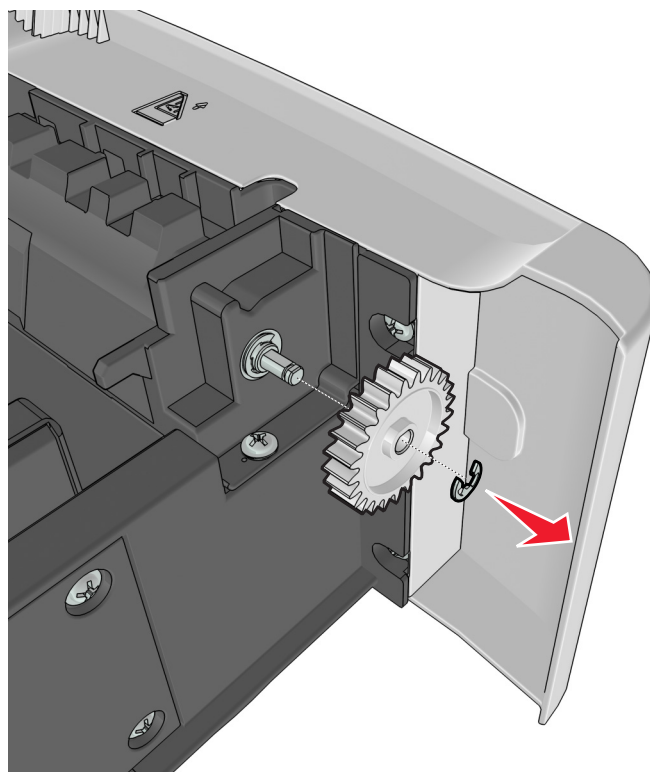


## Separator roll assembly removal

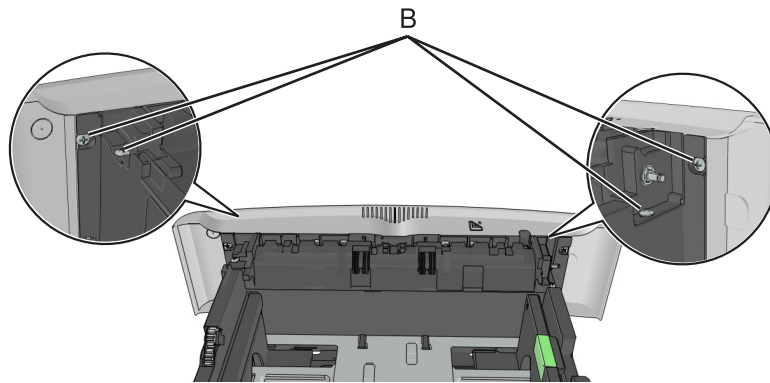
- 1 Remove the screw (A) from under the tray insert.



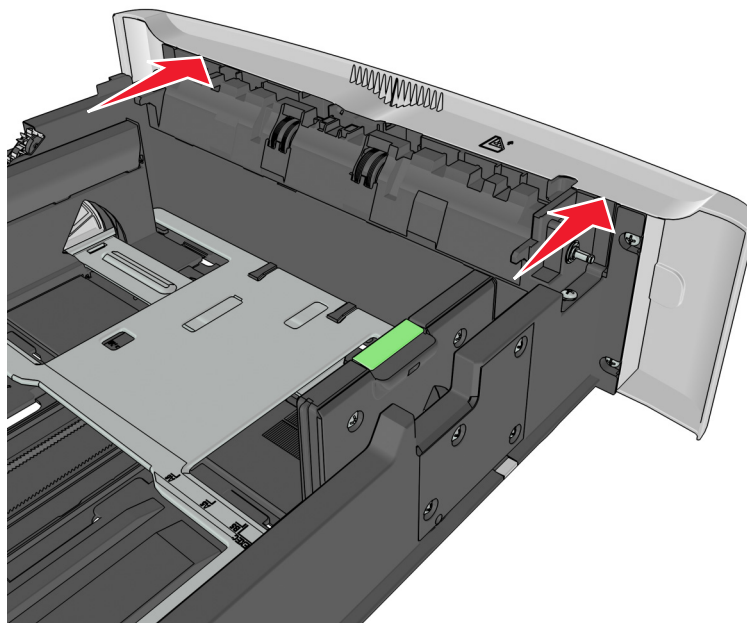
- 2 Remove the E-clip, and then remove the gear.



**3** Remove the four screws (B).



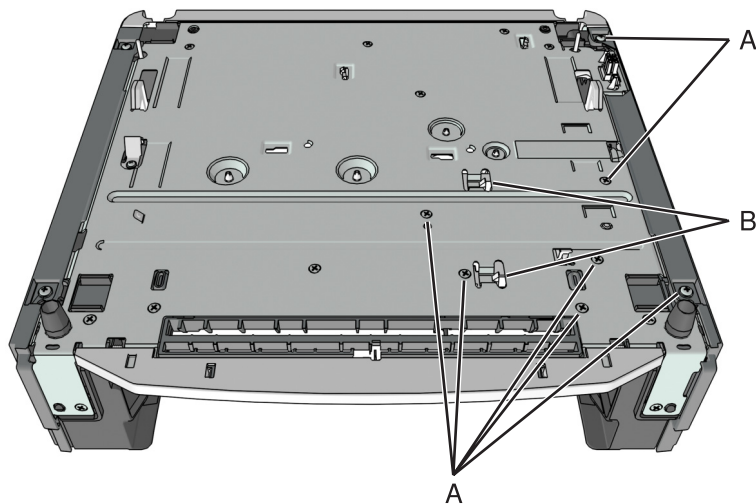
**4** Push out the top part of the drawer cover, and then remove the separator roll assembly.



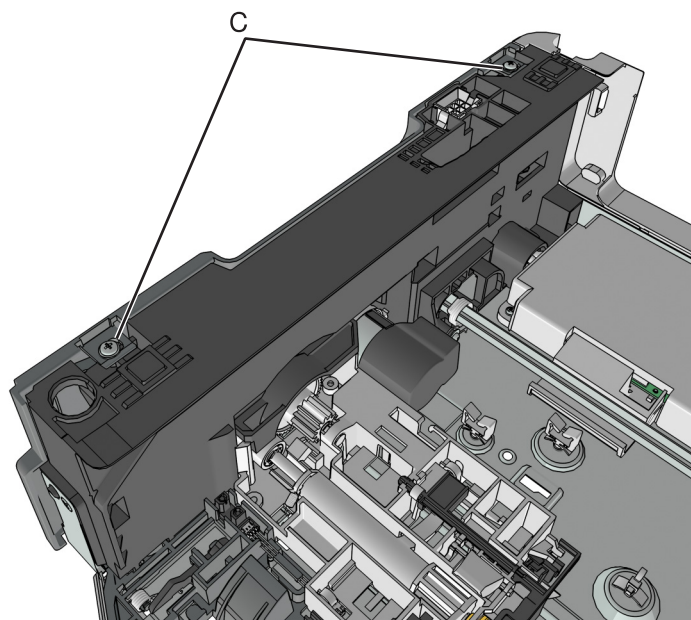


## ACM assembly removal

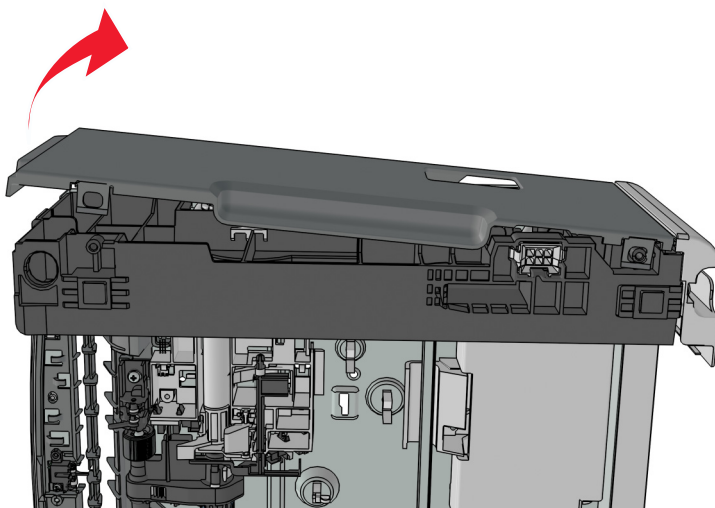
- 1 Remove the seven screws (A), and release the two latches (B) from the top of the drawer.



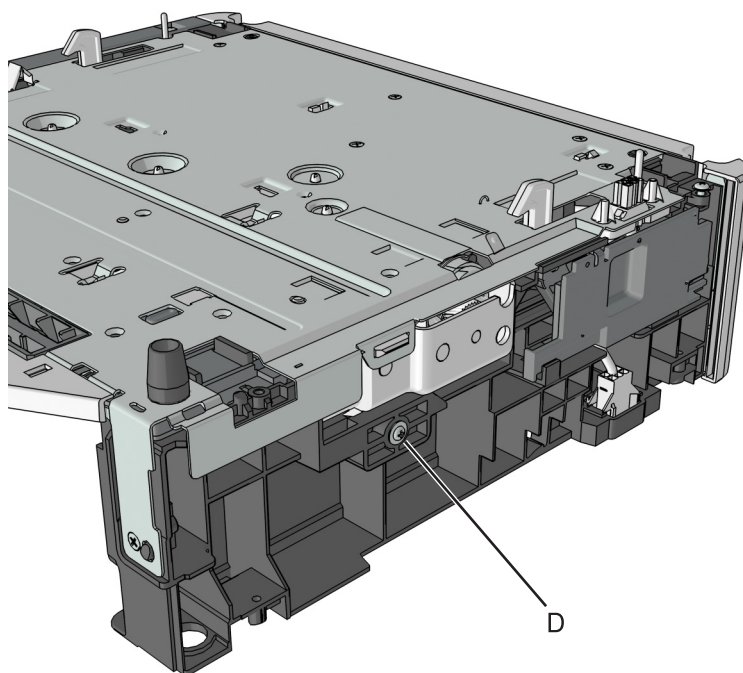
- 2 Remove the two screws (C), and then release the two latches under the screws.



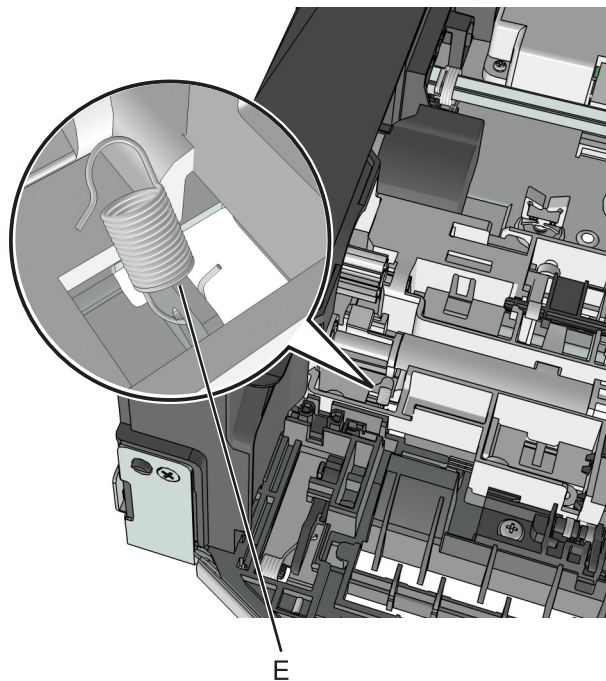
3 Swing the right cover backward to remove.



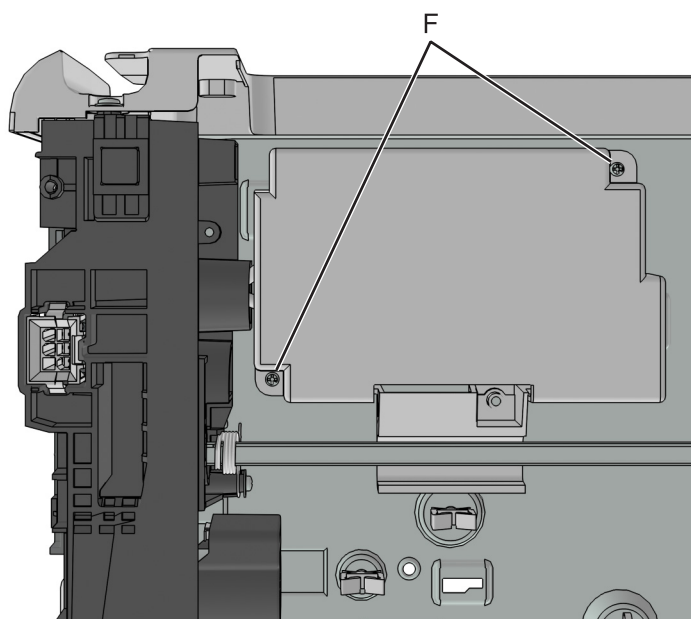
4 Remove the screw (D).



- 5** Disconnect the spring (E).



- 6** Remove the two screws (F), and then remove the controller card cover.



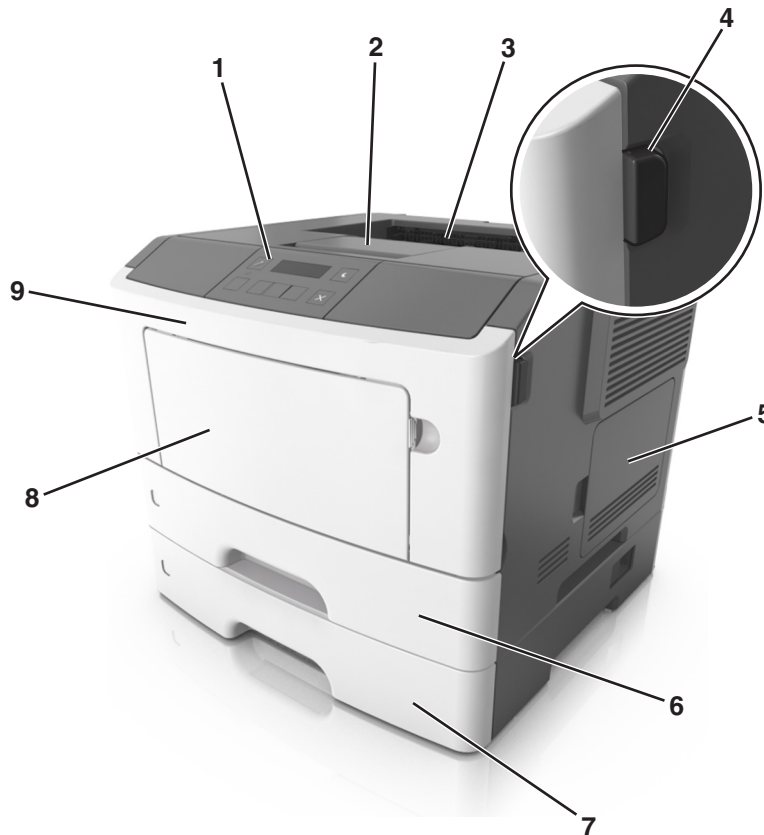
- 7** Disconnect the cable J11 from the controller card.  
**8** Route the cable off the option, and then remove the ACM assembly.



# Component locations

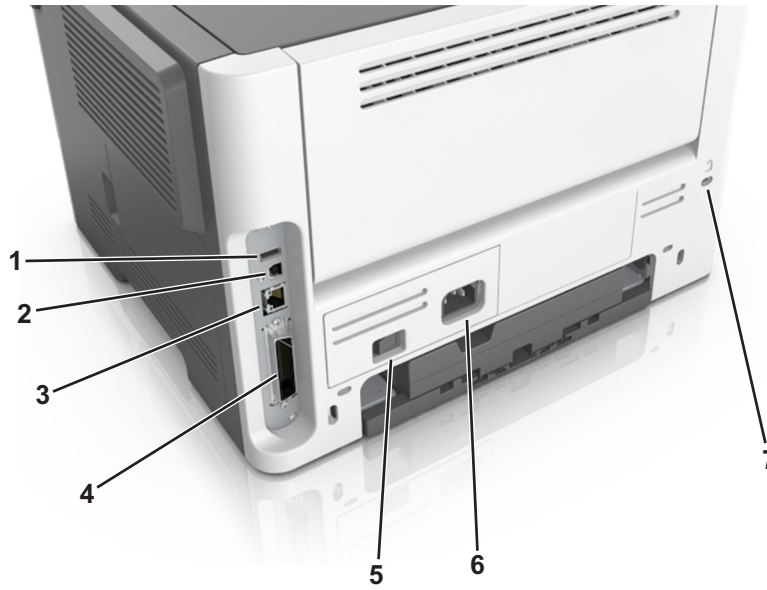
## Exterior locations

### Front view



#	Part name
1	Control panel
2	Paper stop
3	Standard bin
4	Front door release button
5	Controller board access door
6	Standard 250-sheet tray
7	Optional 250- or 550-sheet tray
8	50-sheet multipurpose feeder
9	Front door

## Rear view



#	Part name
1	USB port*
2	USB printer port
3	Ethernet port*
4	Parallel port*
5	Power switch
6	Power cord socket
7	Security slot
* These ports are available only in select printer models.	

# Maintenance

## Inspection guide

The purpose of this inspection guide is to aid you in identifying the intervals, based on page count, at which parts must be inspected (for visible physical damage), cleaned, or replaced.

If any unsafe conditions exist, find out how serious the hazard could be and if you can continue before you correct the hazard.

As you service the machine, check for the following:

- Damaged, missing, or altered parts, especially in the area of the On/Off switch and the power supply
- Damaged, missing, or altered covers, especially in the area of the top cover and the power supply cover
- Possible safety exposure from any non-Lexmark attachments

Use the following table to determine when specified parts should be inspected:

PART	EVERY SERVICE CALL	EVERY 100K	EVERY 200K	NOTES
<b>MEDIA TRAY—ALL</b>				
Tray insert	Inspect	Inspect	Replace	
Media side guides	Inspect	Inspect		Check for correct positioning.
Media end guide	Inspect	Inspect		Check for correct positioning.
Separation pad	Inspect	Clean		Damp cloth
<b>MEDIA FEEDERS—ALL</b>				
Pick roller	Inspect	Inspect	Replace	Verify page count before replacing.
MPF feed rollers	Inspect	Inspect	Replace	
Sensor		Clean	Clean	Brush or blower brush
<b>TRANSFER ROLL</b>				
Transfer roll	Inspect	Inspect	Replace	
<b>FUSER</b>				
Fuser	Inspect	Inspect	Replace	
Sensor (fuser exit)		Clean	Clean	Blower brush
<b>REDRIVE ASSEMBLY</b>				
Redrive assembly		Inspect	Replace	

## Lubrication specification


Lubricate only when the parts are replaced or if necessary, not on a scheduled basis. The use of lubricants other than those specified in this service manual may cause premature failure. Some unauthorized lubricants may chemically attack polycarbonate parts. Use Grease P/N 99A0394 Nyogel 744.

## Cleaning the printer

**Note:** You may need to perform this task after every few months.

**Warning—Potential Damage:** Damage to the printer caused by improper handling is not covered by the printer warranty.

- 1 Make sure that the printer is turned off and unplugged from the electrical outlet.

 **CAUTION—SHOCK HAZARD:** To avoid the risk of electrical shock when cleaning the exterior of the printer, unplug the power cord from the electrical outlet and disconnect all cables from the printer before proceeding.

- 2 Remove paper from the standard bin and multipurpose feeder.
- 3 Remove any dust, lint, and pieces of paper around the printer using a soft brush or vacuum.
- 4 Dampen a clean, lint-free cloth with water, and use it to wipe the outside of the printer.

**Warning—Potential Damage:** Do not use household cleaners or detergents to prevent damage to the exterior of the printer.

- 5 Make sure all areas of the printer are dry before sending a new print job.





# Parts catalog

## Legend

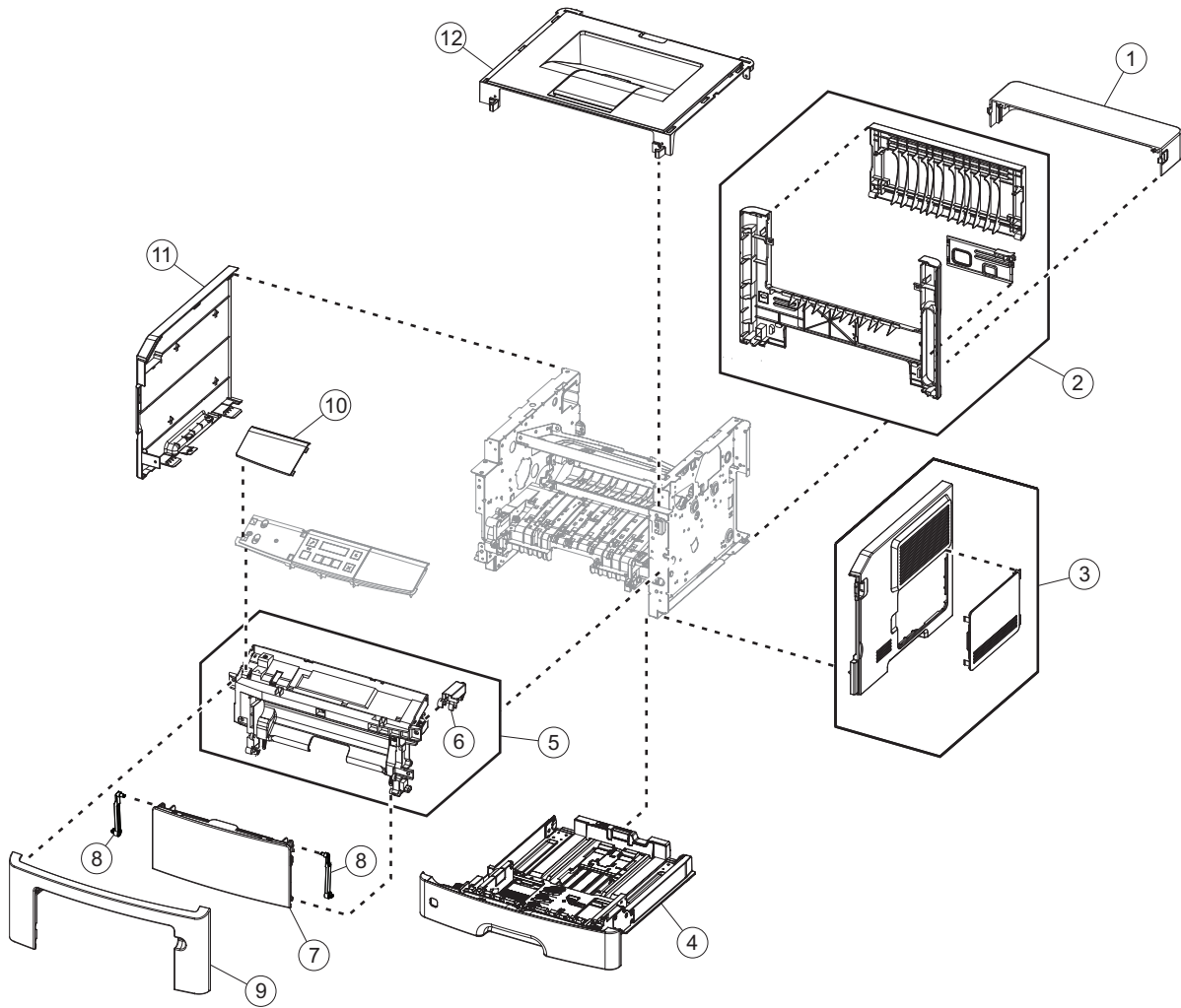
The following column headings are used in the parts catalog:

- **Asm-index**—Identifies the item in the illustration.
- **Part number**—Identifies the unique number that correlates with the part.
- **Units/mach**—Refers to the number of units actually used in the base machine or product.
- **Units/FRU**—Refers to the number of units in a particular FRU.
- **Description**—A brief description of the part.

The following abbreviations are used in the parts catalog:

- **NS** (not shown) in the Asm-index column indicates that the part is procurable but is not pictured in the illustration.
- **PP** (parts packet) in the Description column indicates that the part is contained in a parts packet.

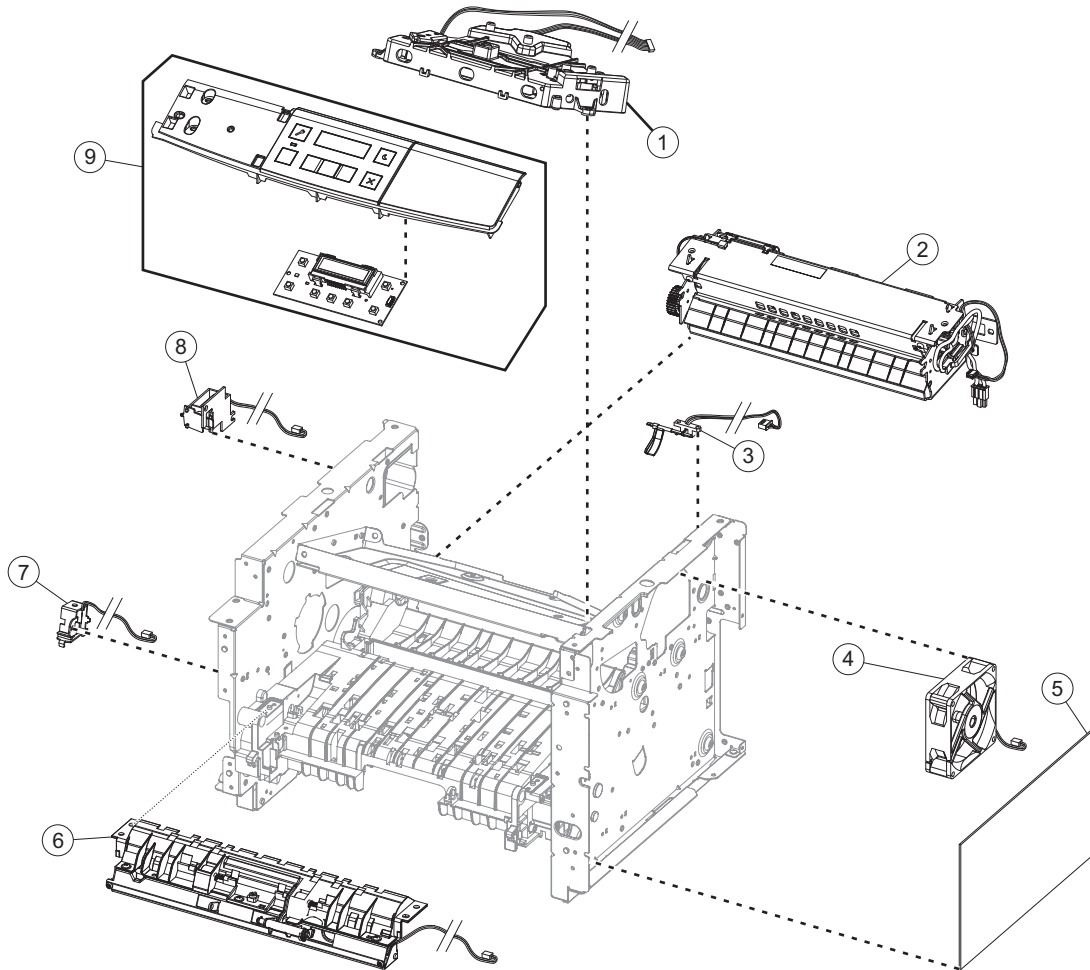
# Assembly 1: Covers



## Assembly 1: Covers

Asm-index	P/N	Units/mach	Units/FRU	Description	Removal procedure
1	40X8520	1	1	Dust cover (250-sheet tray)	<a href="#">“Dust cover removal” on page 236</a>
2	40X8054	1	1	Rear door and cover	<a href="#">“Rear door and cover removal” on page 236</a>
3	40X8052	1	1	Right cover	<a href="#">“Right cover removal” on page 188</a>
4	40X8303	1	1	250-sheet tray insert (standard tray only)	N/A
5	40X8056	1	1	Front access cover	<a href="#">“Front access cover removal” on page 213</a>
6	40X9148	1	1	Cartridge plunger	<a href="#">“Cartridge plunger removal” on page 198</a>
7	40X8302	1	1	MPF assembly (50 sheets)	<a href="#">“MPF assembly removal” on page 205</a>
8	41X0994	1	1	MPF tray links	<a href="#">“MPF assembly removal” on page 205</a>
9	40X8051	1	1	Nameplate	<a href="#">“Nameplate removal” on page 202</a>
10	40X9658	1	1	Bezel	<a href="#">“Bezel removal” on page 201</a>
11	40X8053	1	1	Left cover	<a href="#">“Left cover removal” on page 173</a>
12	40X8055	1	1	Top cover	<a href="#">“Top cover removal” on page 243</a>
NS	40X8273	4	40	Rubber foot	N/A

## Assembly 2: Electronics 1



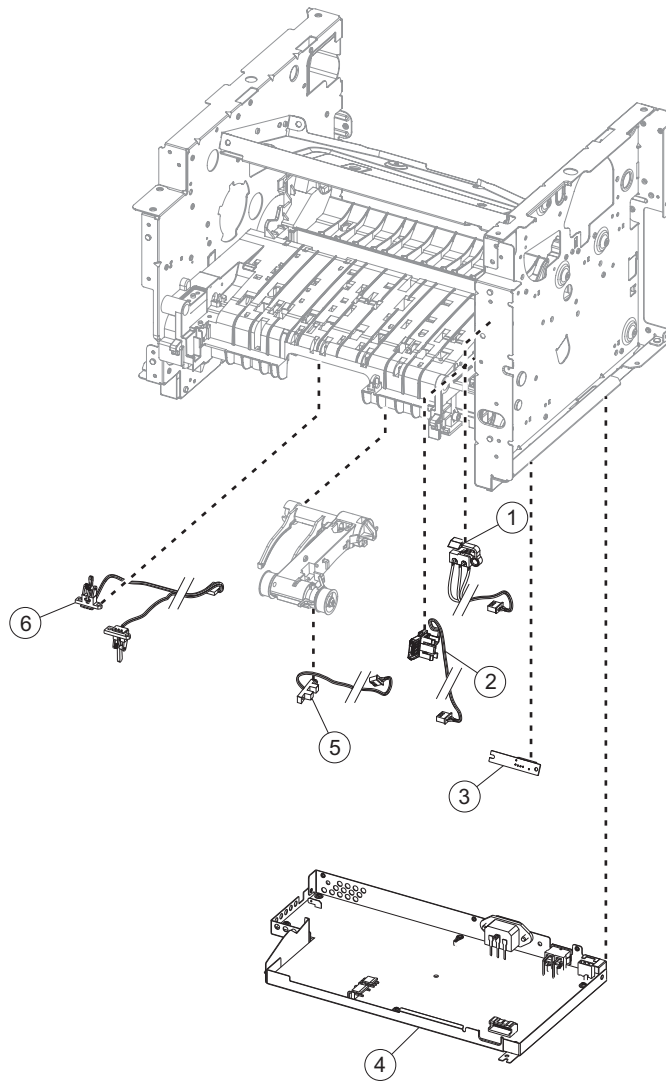
## Assembly 2: Electronics 1

Asm-index	P/N	Units/mach	Units/FRU	Description	Removal procedure
NS	41X0363	1	1	Polygon laser scanning unit (LSU) frame*	--
1	41X0362	1	1	Polygon LSU*	<a href="#">“Laser scanning unit (LSU) removal” on page 244</a>
1	40X8082	1	1	Galvo LSU*	<a href="#">“Laser scanning unit (LSU) removal” on page 244</a>
2	40X8343	1	1	Fuser, 100 V	<a href="#">“Fuser removal” on page 242</a>
2	40X8023	1	1	Fuser, 110 V	<a href="#">“Fuser removal” on page 242</a>
2	40X8024	1	1	Fuser, 220 V	<a href="#">“Fuser removal” on page 242</a>
3	40X8050	1	1	Narrow media/bin full sensor	<a href="#">“Narrow media/bin full sensor removal” on page 237</a>
4	40X8276	1	1	Cooling fan	<a href="#">“Cooling fan removal” on page 188</a>
5	41X0364	1	1	Controller board for model MS312dn with polygon LSU*	<a href="#">“Controller board removal” on page 189</a>
5	40X9656	1	1	Controller board for model MS312dn with galvo LSU*	<a href="#">“Controller board removal” on page 189</a>
6	40X8280	1	1	Front input guide	<a href="#">“Front input guide removal” on page 214</a>
7	40X8300	1	1	MPF solenoid	<a href="#">“MPF solenoid removal” on page 176</a>
8	40X8301	1	1	Reverse solenoid	<a href="#">“Reverse solenoid removal” on page 182</a>
9	40X8291	1	1	Control panel assembly	<a href="#">“Control panel assembly removal” on page 202</a> <a href="#">“UICC removal” on page 204</a>
NS	41X0759	1	1	Polygon LSU cable*	--
NS	41X0913	1	1	Video cable (applicable only to models with Galvo* LSU)	--

\* To determine what type of LSU (galvo or polygon) the printer supports and whether it is compatible with the controller board:

- Check the serial number of the printer. If the sixth digit character assigned is in the P–Z range, then the LSU is polygon (example: 4514 2ZHH 007CR). If the sixth digit character assigned is in the 0–9 or B–N range, then the LSU is galvo (example: 4514 20HH 007CR).
- Check the color of the controller board. For polygon LSU, the color of the compatible controller board is blue. For galvo LSU, the color is green.

## Assembly 3: Electronics 2



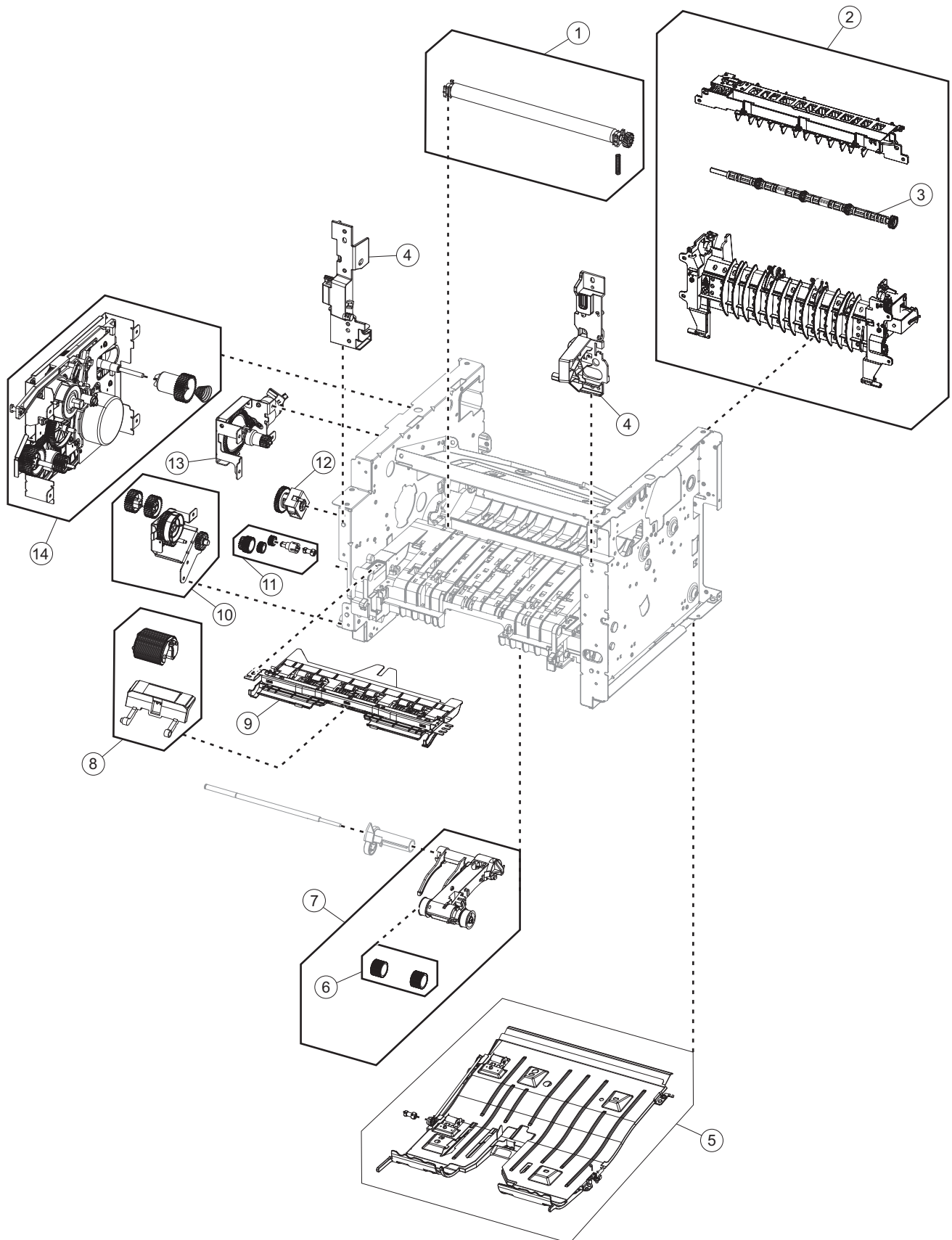
## Assembly 3: Electronics 2

Asm-index	P/N	Units/mach	Units/FRU	Description	Removal procedure
1	40X8048	1	1	Front door sensor	<a href="#">“Front door sensor removal” on page 213</a>
2	40X8266	1	1	Toner cartridge smart chip contact	<a href="#">“Toner cartridge smart chip contact removal” on page 191</a>
3	40X8046	1	1	Toner density sensor	<a href="#">“Toner density sensor removal” on page 223</a>
4	40X7795	1	1	Power supply, 100 V/110 V	<a href="#">“Power supply removal” on page 218</a>
4	40X7796	1	1	Power supply, 220 V	<a href="#">“Power supply removal” on page 218</a>
5	40X8047	1	1	Trailing edge sensor	<a href="#">“Trailing edge sensor removal” on page 226</a>
6	40X8043	1	1	Duplex sensor and input sensor	<a href="#">“Duplex sensor and input sensor removal” on page 221</a>





# Assembly 4: Frame

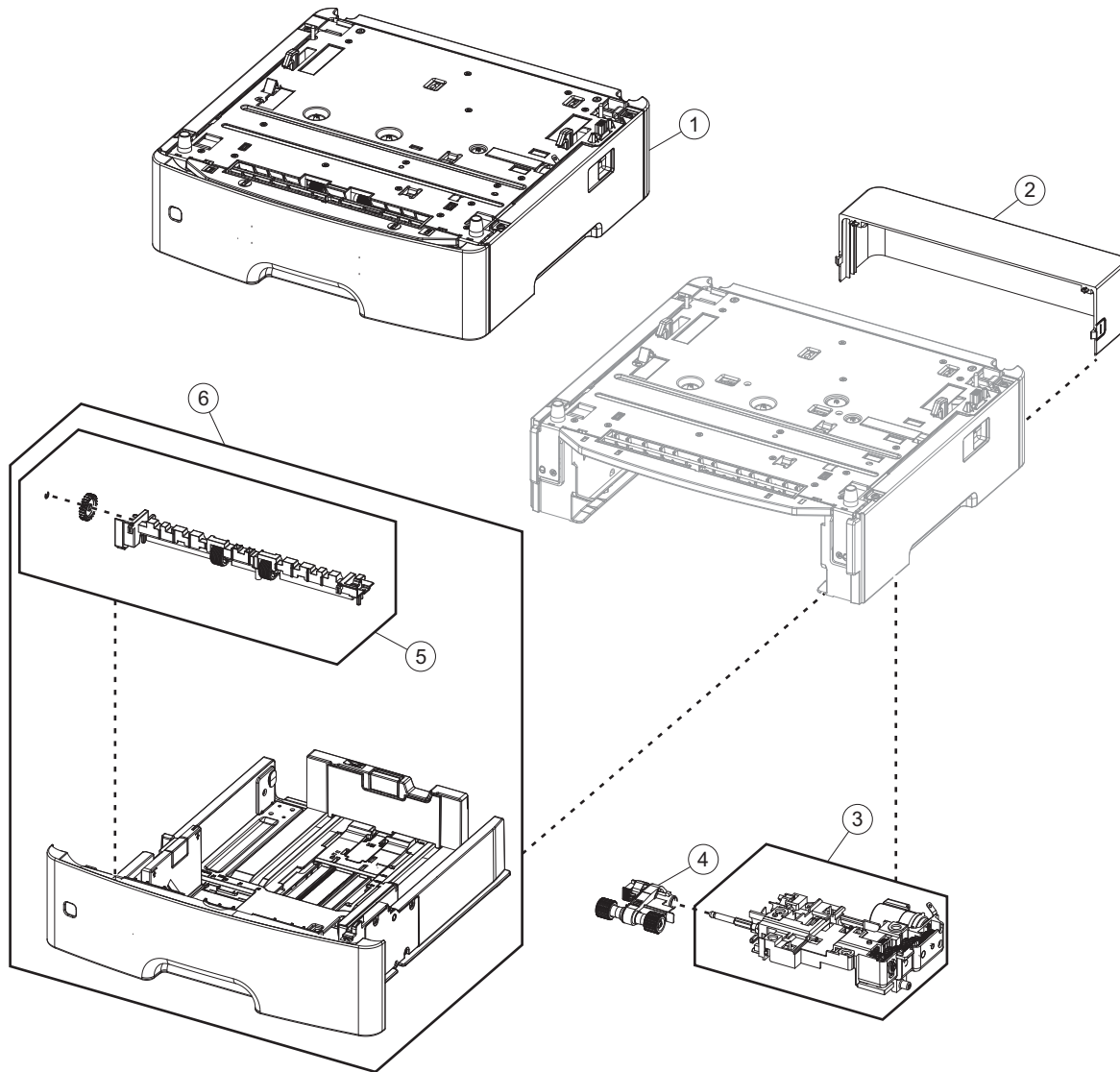


## Assembly 4: Frame

Asm-index	P/N	Units/mach	Units/FRU	Description	Removal procedure
1	40X8393	1	1	Transfer roll	<a href="#">“Transfer roll removal” on page 197</a>
2	40X8298	1	1	Redrive assembly	<a href="#">“Redrive assembly removal” on page 239</a>
3	40X8850	1	1	Redrive shaft	<a href="#">“Redrive shaft removal” on page 240</a>
4	40X8299	1	1	Front mounts	<a href="#">“Left front mount removal” on page 193</a> <a href="#">“Right front mount removal” on page 195</a>
5	40X8275	1	1	Duplex assembly	<a href="#">“Duplex removal” on page 220</a>
6	41X0918	2	2	Pick tires	N/A
7	41X0919	1	1	ACM assembly (standard tray only)	<a href="#">“ACM assembly removal” on page 231</a>
8	40X8295	1	1	MPF pick roller and separator pad	<a href="#">“MPF pick roller removal” on page 208</a> <a href="#">“Separator pad removal” on page 216</a>
9	40X8279	1	1	Jam access cover	<a href="#">“Jam access cover removal” on page 209</a>
10	40X8278	1	1	MPF gearbox	<a href="#">“MPF gearbox removal” on page 179</a>
11	40X8277	1	1	Duplex gear assembly	<a href="#">“Duplex gear assembly removal” on page 186</a>
12	40X8265	1	1	ACM clutch	<a href="#">“ACM clutch removal” on page 183</a>
13	40X8083	1	1	Cartridge gearbox	<a href="#">“Cartridge gearbox removal” on page 185</a>
14	40X8085	1	1	Main drive gearbox	<a href="#">“Main drive gearbox removal” on page 174</a>
NS	40X8394	1	1	Screw kit, contains: <ul style="list-style-type: none"> <li>• MT3x0.5+8PF-NI—10 pieces</li> <li>• MT3x0.5+6PF-NI—10 pieces</li> <li>• TP2NC-3+6PF-NI—10 pieces</li> </ul>	N/A



## Assembly 5: Option trays



## Assembly 5: Option trays

Asm-index	P/N	Units/opt	Units/FRU	Description	Removal procedure
1	40X8287	1	1	250-sheet tray	N/A
1	40X8286	1	1	550-sheet tray	N/A
1	40X9654	1	1	550-sheet tray, lockable	N/A
2	40X8520	1	1	Dust cover, 250-sheet tray	<a href="#">“Dust cover removal” on page 236</a>
2	40X8521	1	1	Dust cover, 550-sheet tray	<a href="#">“Dust cover removal” on page 236</a>
3	40X8262	1	1	ACM assembly (option tray only)	<a href="#">“ACM assembly removal” on page 249</a>
4	40X8443	1	1	Pick roller assembly	<a href="#">“Pick roller removal” on page 246</a>
5	40X8444	1	1	Separator roll assembly	<a href="#">“Separator roll assembly removal” on page 247</a>
6	40X8528	1	1	250-sheet tray insert (option tray only)	N/A
6	40X8529	1	1	550-sheet tray insert (option tray only)	N/A

## Assembly 6: Power cords

Asm-index	P/N	Units/mach	Units/FRU	Description	Removal procedure
NS	40X0269	1	1	Power cord, 2.5 m (straight)—USA, Canada	N/A
NS	40X3141	1	1	Power cord, 2.5 m (straight)—Europe and others	N/A
NS	40X0288	1	1	Power cord, 2.5 m (straight)—Argentina	N/A
NS	40X0271	1	1	Power cord, 2.5 m (straight)—United Kingdom	N/A
NS	40X0275	1	1	Power cord, 2.5 m (straight)—Israel	N/A
NS	40X1772	1	1	Power cord, 2.5 m (straight)—Switzerland	N/A
NS	40X1773	1	1	Power cord, 2.5 m (straight)—South Africa	N/A
NS	40X0273	1	1	Power cord, 2.5 m (straight)—Traditional Italy	N/A
NS	40X1774	1	1	Power cord, 2.5 m (straight)—Denmark	N/A
NS	40X4596	1	1	Power cord, 2.5 m (straight)—Brazil	N/A
NS	40X0303	1	1	Power cord, 2.5 m (straight)—China	N/A
NS	40X0270	1	1	Power cord, 2.5 m (straight)—Japan	N/A
NS	40X1792	1	1	Power cord, 2.5 m (straight)—Korea	N/A
NS	40X1791	1	1	Power cord, 2.5 m (straight)—Taiwan	N/A
NS	40X0301	1	1	Power cord, 2.5 m (straight)—Australia	N/A





## Assembly 7: Miscellaneous

Asm-index	P/N	Units/mach	Units/FRU	Description	Removal procedure
NS	40X8737	1	1	RFID card reader	N/A
NS	40X8330	1	1	MarkNet N8352 802.11 b/g/n Wireless Print Server Kit	N/A
NS	40X8570	1	1	Font card, Arabic	N/A
NS	40X8571	1	1	Font card, Hebrew	N/A
NS	40X8568	1	1	Font card, Korean	N/A
NS	40X8569	1	1	Font card, Japanese	N/A
NS	40X8556	1	1	Font card, Traditional Chinese	N/A
NS	40X8557	1	1	Font card, Simplified Chinese	N/A
NS	40X8555	1	1	256MB flash card	N/A
NS	40X1368	1	1	USB cable, packaged (2 m)	N/A
NS	40X8694	1	1	Relocation kit	N/A



# Appendix A: Printer specifications

## Product power consumption

The following table documents the power consumption characteristics of the product.

**Note:** Some modes may not apply to your product.

Mode	Description	Power consumption (Watts)
Printing	The product is generating hard-copy output from electronic inputs.	520 (one-sided), 340 (two-sided)
Copy	The product is generating hard-copy output from hard-copy original documents.	N/A
Scan	The product is scanning hard-copy documents.	N/A
Ready	The product is waiting for a print job.	7
Sleep Mode	The product is in a high-level energy-saving mode.	3
Hibernate	The product is in a low-level energy-saving mode.	0.5
Off	The product is plugged into an electrical outlet, but the power switch is turned off.	0

The power consumption levels listed in the previous table represent time-averaged measurements. Instantaneous power draws may be substantially higher than the average.

Values are subject to change. See [www.lexmark.com](http://www.lexmark.com) for current values.

## Electrical specifications

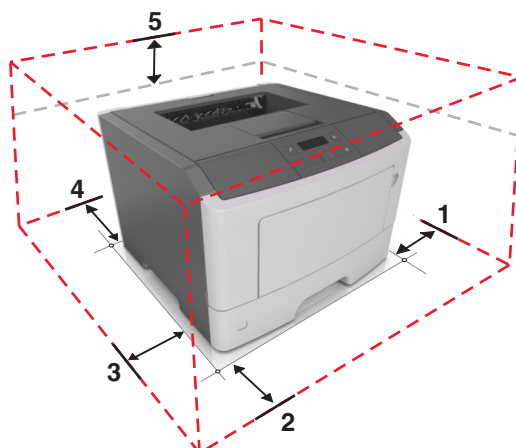
### Low-voltage models

- 100 to 127 V ac at 47 to 63 Hz nominal
- 90 to 137 V ac, steady state operational extremes

### High-voltage models

- 220 to 240 V ac at 47 to 63 Hz nominal (not available in all countries)
- 198 to 254 V ac, steady state operational extremes

## Operating clearances



1	Right	110 mm (4.3 in.)
2	Front	305 mm (12 in.)
3	Left	65 mm (2.6 in.)
4	Rear	100 mm (3.9 in.)
5	Top	305 mm (12 in.)
Allow additional clearance around the printer for adding the optional input trays.		

## Acoustics

All measurements are made in accordance with ISO 7779 and conform with ISO 9296.

Status	1 meter average sound pressure dBA	Declared sound power level (Bels)
Idle (Standby)	15	3.3
Quiet mode	50	6.4
Simplex printing	53	6.7
Duplex printing	52	6.6
Sleep/Hibernate mode	15	3.3
Measurements apply to 300 dpi, 600 dpi and 1200 dpi printing.		

## Operating environment

Environment	Specification
Ambient operating environment	10–32°C (50–90°F) 15–80 %RH
Extended low humidity operating environment	16–32°C (60–90°F) 8–15 %RH
Altitude—operating	0–2896 m (9500 ft)
Atmospheric pressure	74.6 kPa
Toner cartridge and imaging unit long term storage	1–35°C 8–80 %RH

## Enabling the security reset jumper

The security reset jumper can reset a printer that is locked due to a forgotten password or lost network connectivity.

### Notes:

- Resetting the printer deletes all security settings.
- Before changing the security settings, ask for permission from your administrator.

- 1 Turn off the printer.
- 2 Access the controller board.
- 3 Move the jumper to cover the middle and exposed prongs.

**Note:** The small, yellow jumper is located beside a lock icon on the controller board.

- 4 Turn on the printer.

## Invalidating the effects of a jumper reset

- 1 From the Embedded Web Server, click **Settings > Security > Miscellaneous Security Settings**.
- 2 From the Security Reset Jumper menu, select **No Effect**.

**Warning:** This setting disables access to the security menus of a locked printer. To regain access to the menus, replace the controller board.

- 3 Click **Submit**.

### Notes:

- Use a cable lock to secure the controller board and prevent a malicious reset.
- For multifunction products, when the controller board is replaced, the security settings are lost and the LDAP configuration and Copy function are no longer protected.



## Appendix B: Options and features

### Available internal options

- Flash memory
  - Fonts

### Media handling options

**Note:** Only one optional tray can be installed.

- 250-sheet tray
- 550-sheet tray





## Appendix C: Theory of operation

### POR sequence

As the printer turns on, the engine code goes through a series of tests to verify hardware integrity. If a hardware failure is detected, then it is reported to the printer. If the POR sequence cannot be completed successfully, then the printer may post an error message identifying that service may be needed.

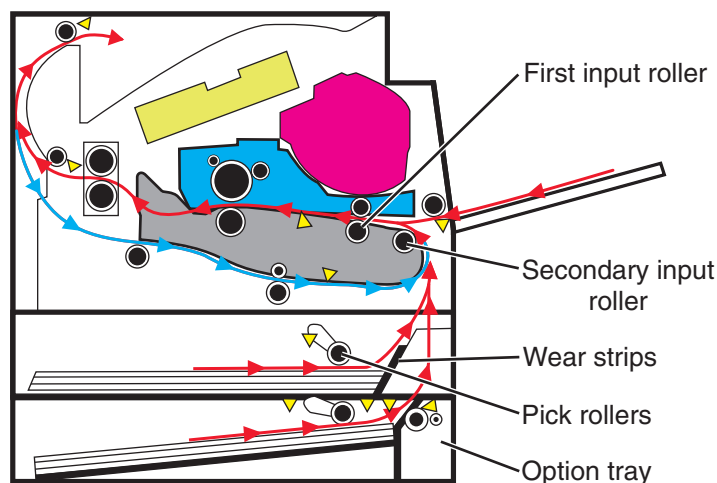
### Printer control

The printer uses a single processor for both RIP and engine functions. The raster image processor (RIP) code performs system responsibilities such as PC connection, LAN, ISP attachments, and bitmap generation. The engine code performs tasks related to the operation of the electrical and mechanical device systems such as motors, lasers, power supplies, and fusers. The NVRAMs are located on the controller board and control panel, replacement of either the controller board or control panel will pull or mirror NVRAM data from each other.

### Paper path information

#### Input tray

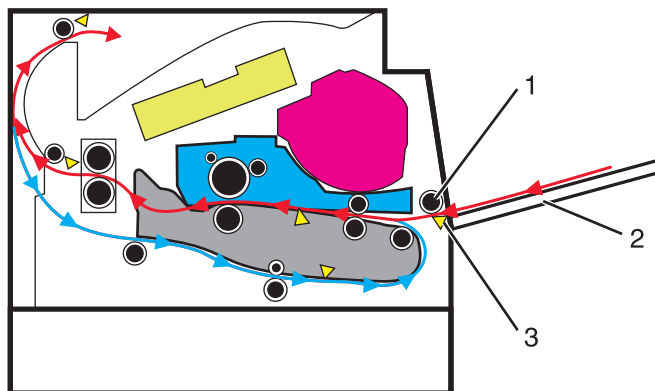
When feeding media, the ACM lowers to come into contact with the media. The pick rollers on the ACM rotate to push the media to the wear strips at the front of the tray. The wear strips provide a fixed resistance to ensure that sheets are fed one at a time. The media is then fed to the secondary input roller and then to the first input roller.



#### Multipurpose feeder (MPF)

The driving force from the main drive motor is transmitted through the MPF gearbox. When the MPF solenoid activates, it allows the MPF sector gear linked to the MPF gearbox to rotate. The MPF pick roll shaft is connected to the MPF sector gear.

The MPF can be accessed by opening the MPF tray on the front door. In an MPF paper feed, the MPF paper present sensor detects the media. The instant the MPF pick roll shaft rotates, the cams on each end of the shaft disengage the MPF tray. Each side of the tray is connected to the front access cover by springs. When disengaged from the shaft, the springs pull the tray causing the media to come into contact with the MPF pick roller. At the same time the pick roller rotates, pushing the media to the separator pad. The media does not pass through the secondary input roller, but directly to the first input roller.



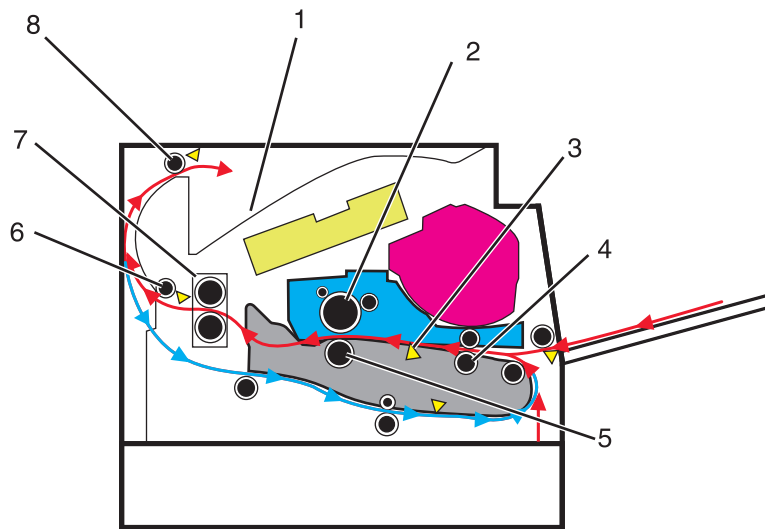
#	Part
1	MPF pick roller
2	MPF tray
3	MPF paper present sensor

## Simplex printing

Situated along the first input roller, is the deskew shutter. It subjects the media to a deskewing force based on the media width. The direction of the force is transverse to the feed direction. The leading edge of the media then passes through the input sensor.

After the edge of the media is aligned, the first input roller feeds the media to the transfer roll for toner transfer. At this point, the toner image is already on the photoconductor drum surface. As the media passes between the photoconductor drum and transfer roll, the toner image is transferred to the media.

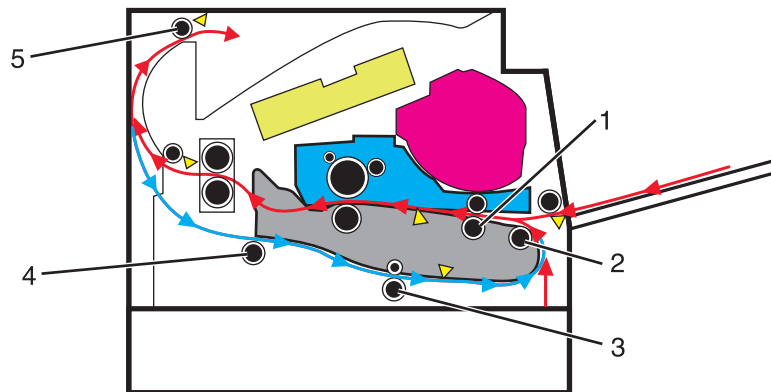
The media with the embedded toner image goes through the fuser assembly to permanently bond the toner to the media. When it passes between the heat belt and pressure roll of the fuser assembly, the combination of heat and pressure fuses the toner image to the media. The fuser exit roller feeds the media to the paper exit roller and then to the output bin.



#	Part
1	Output bin
2	Photoconductor drum
3	Input sensor
4	First input roller
5	Transfer roller
6	Fuser exit roller
7	Fuser assembly
8	Paper exit roller

## Duplex printing

After the first side of the media has been printed on and is partially fed out to the output bin, the duplex solenoid activates. This causes the exit roller to reverse its rotation and feed the media, with its trailing edge first, back into the redrive assembly and then to the duplex paper path. The duplex front and rear deliver rollers move the media through the duplex paper path, the diverter, the first input roller, and back to the primary paper path. The same process for printing on the first side of the media repeats, this time for the second side of the media.



#	Part
1	First input roller
2	Secondary input roller
3	Duplex front deliver roller
4	Duplex rear deliver roller
5	Paper exit roller

## Media handling components

### Main drive gearbox

The gearbox supplies all mechanical power requirements of the printer. Its motor, through several gears, transfers power to following paths: photoconductor drum, transfer roll, fuser, paper exit, input, duplex, and MPF.

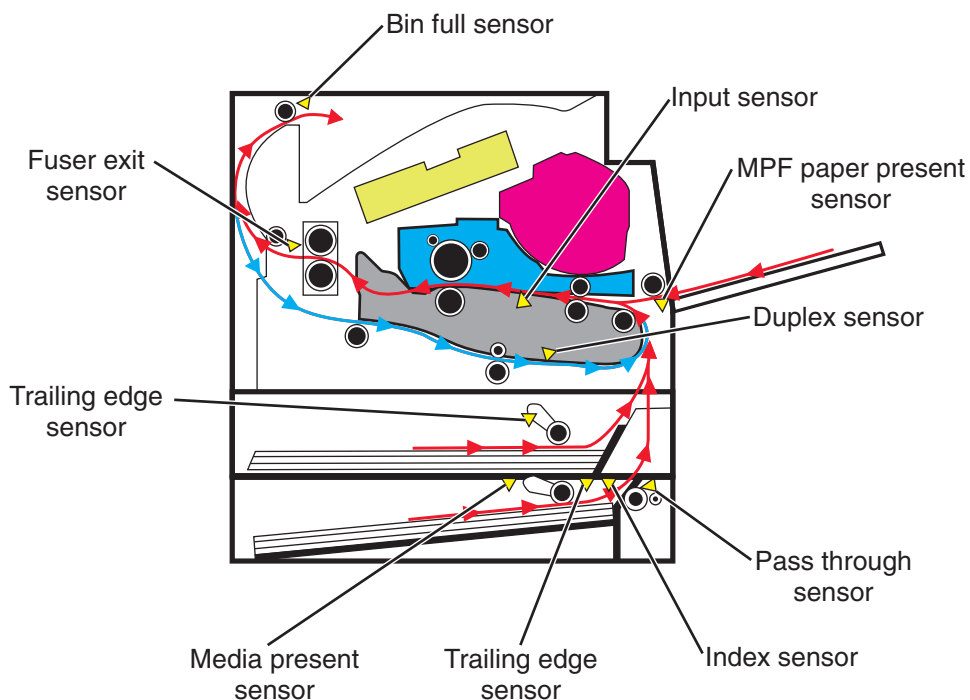
Aside from providing rotational motion to rollers and feeders, the gearbox must also ensure that the print image is not distorted during the whole process. It must also provide easy and effective means to cut or break the transfer of motion when taking the cartridge unit out of the machine, or when clearing jammed sheets through its linkage system.

### Autocompensator mechanism (ACM)

The fundamental function of the ACM is to pick and feed a single sheet of media and accurately deliver it to the downstream paper path. The pick arm is counterbalanced to provide a priming force throughout the entire range of paper levels in the tray. When media is picked, a subsequent sheet is not picked until the previous sheet's trailing edge is detected by the trailing edge sensor. Once the trailing edge of the media is detected, and the minimum interpage gap is satisfied, the next sheet will be picked.

# Key components

## Sensors



### Trailing edge sensor

Detects the media's trailing edge as it passes the pick tires. Among other capabilities, this sensor can be used to determine the paper size sensor and the media stack height.

### MPF sensor

Detects the presence of media in the MPF tray.

### Media present sensor

Detects the presence of media in the tray.

### Tray present sensor

Detects the presence of the tray in the printer.

### Bin full sensor

Detects whether the standard bin is full by moving the actuator up and down.

### Toner density sensor

Detects a pre-placed toner patch and image on the photoconductor (drum) and outputs pulses when the central line of the patch image aligns with the central line of the detector. The sensor outputs pulses at the timing the patch image passes the sensor. Therefore, observing changes of intervals at which pulses are output leads to toner density detection.

**Pass through sensor (option tray)**

Detects when the media from the option tray passes. This will trigger the pick roller to pick the next media.

**Capactive Toner Level Sensor (CTLS)**

Detects the amount of toner in the imaging unit. If the toner level is low, the cartridge auger motor is triggered to add toner from the toner cartridge to the imaging unit.

**Front door sensor**

Is a safety switch that cuts off a 5 V DC supply from the controller board to the LSU to prevent the laser from activating when the front door is opened.

**Other key components****Cooling fan**

Discharges air from the printer to prevent excessive temperature increase.

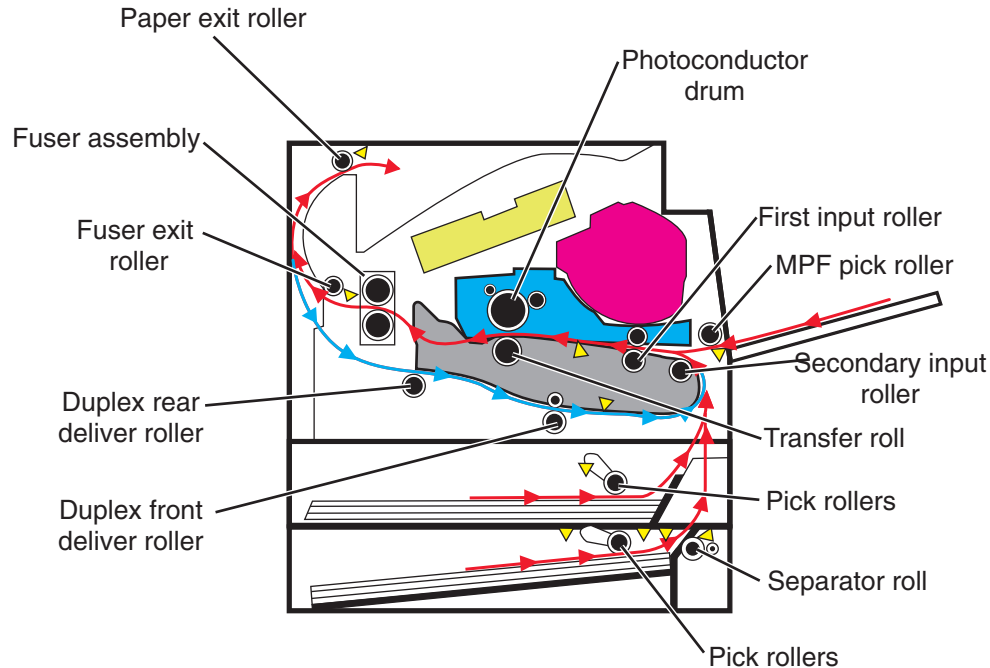
**Power supply**

The power supply has two main sections: the HVPS and LVPS. The HVPS card assembly generates AC power and feeds it to the developer roll, the transfer roll assembly and the charge roll assembly. The LVPS card assembly generates low voltages: 5 V DC for logic circuits, 5 V DC for laser diodes and 24 V DC for cooling fans.

**Controller board**

Controls the printing operation based on the communication with the RIP controller and optional peripherals. It also controls the fuser, toner dispensing, sensor switch feedback, drive motors, clutches and solenoids

## Rollers



## Electrophotographic process (EP process)

### Printhead

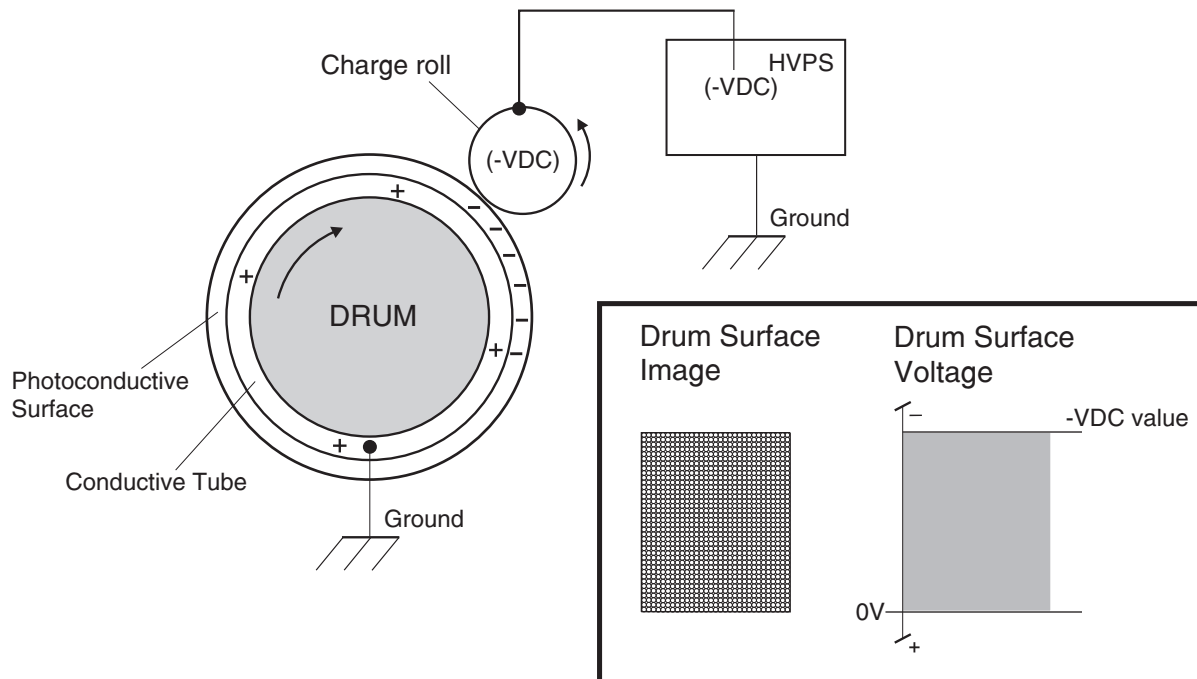
The printhead scans the photo conductor drum surface with a laser beam. It consists of the following components:

- Laser diode (LD) card assembly
- Oscillator
- Start of scan card assembly

When a laser beam is scanned across the photoconductor drum surface from one end to the other while turning on and off the beam, one line of latent image is created. If the scanning by the laser beam is repeated while rotating the drum, a two-dimensional image is created. The resolution in the scanning direction (from right to left) is determined by the rotational speed of the printhead motor, depending on how quickly the laser is adjusted. The resolution in the process direction (from top to bottom) is determined by the rotational speed of the printhead motor. The higher the scanning speed becomes, the sooner the scanning of the next row can be started.

## Step 1: Charge

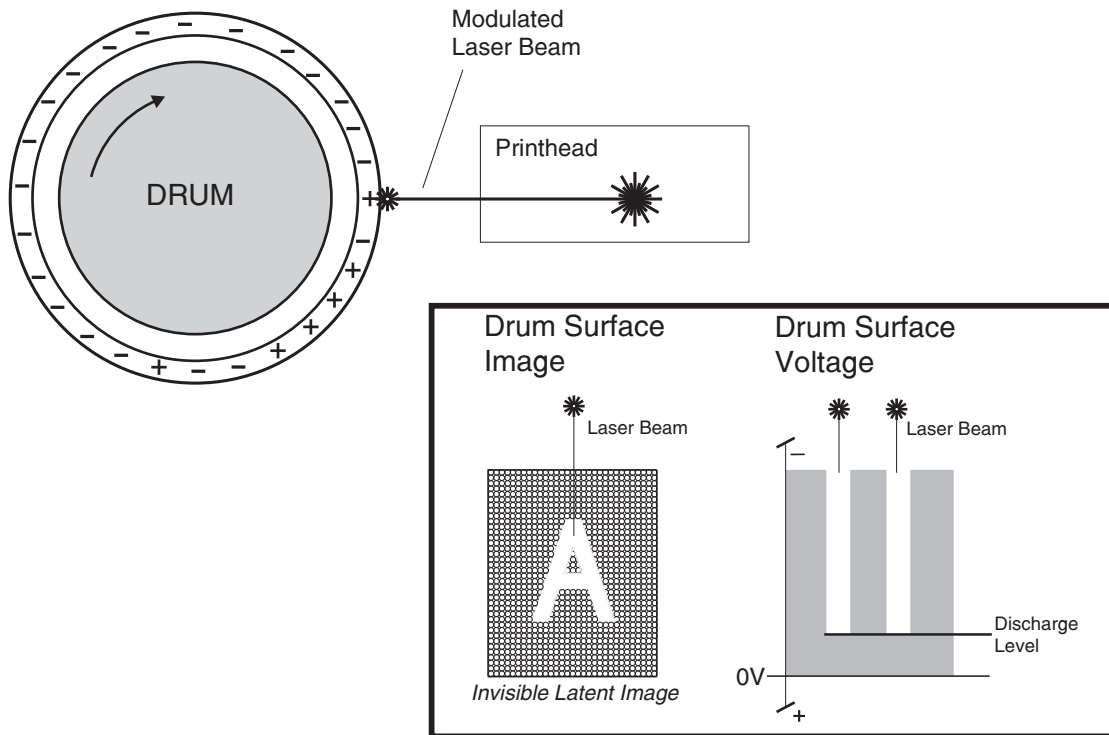
During the charge step, voltage is sent from the HVPS to the charge roll beside the photoconductor. The charge roll applies a uniform negative charge over the entire surface of the photoconductor to prepare it for the laser beam.





## Step 2: Expose

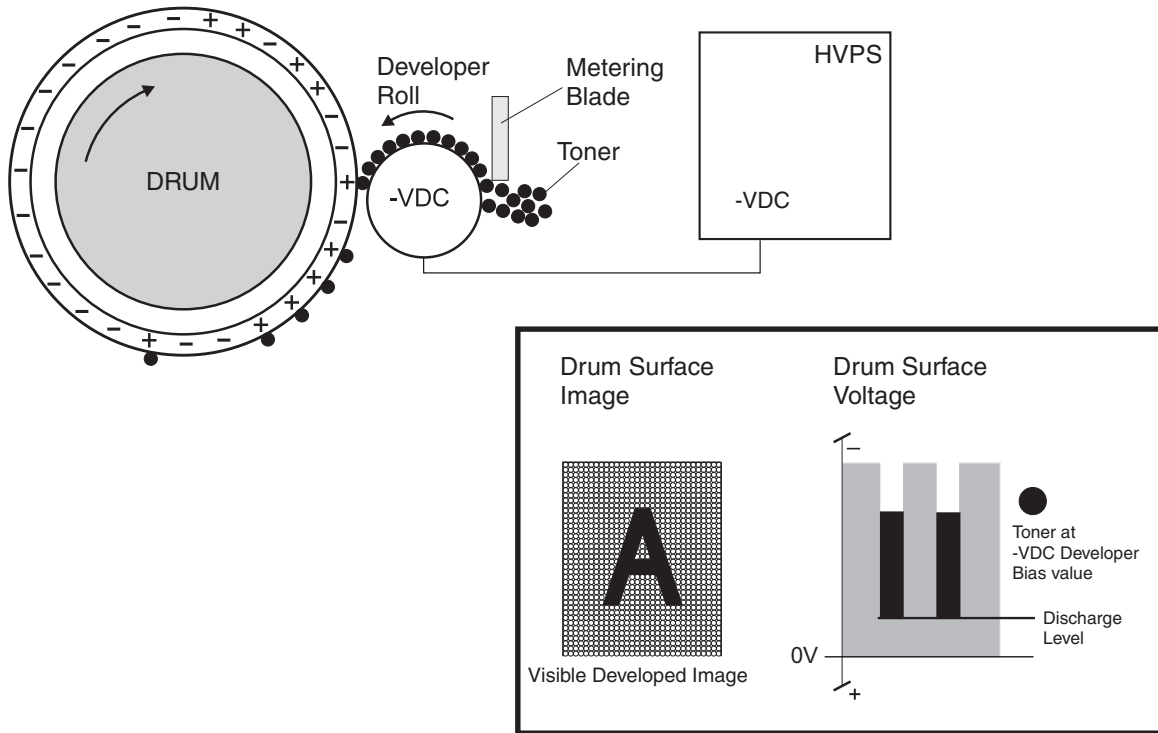
The laser fires a focused beam of light at the surface of the photoconductor and writes an invisible image, called a latent image. The laser beam only discharges the surface where the beam hits the photoconductor. This creates a difference in charge potential between the exposed area and the rest of the photoconductor surface.



## Step 3: Develop

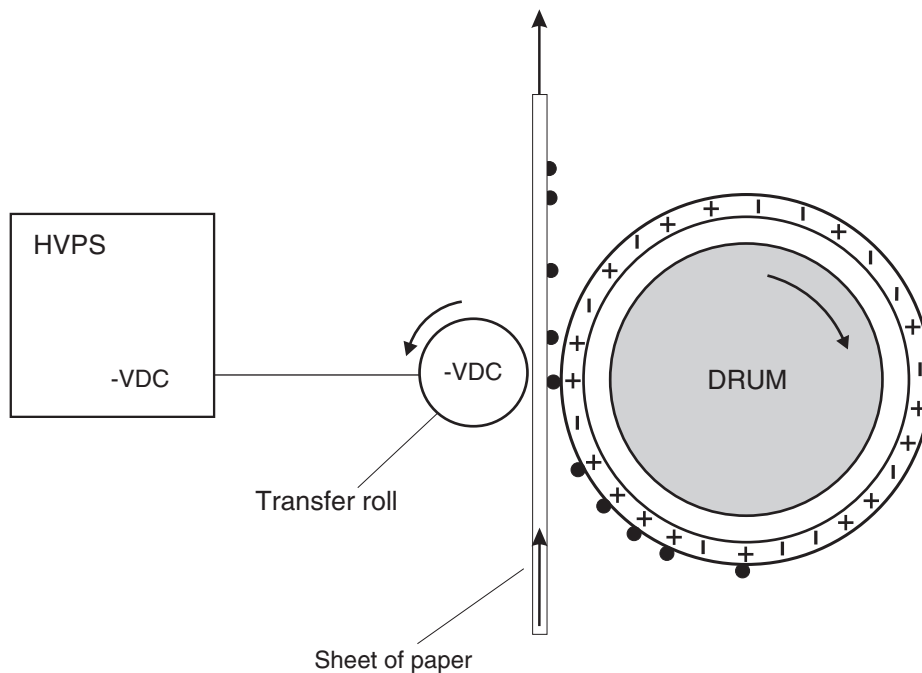
Once the laser exposes the photoconductor, the HVPS sends charge to the developer roll. Because of the charge difference between the toner on the developer roller and the electrostatic image created by the laser, the toner is attracted to areas of the photoconductor surface exposed by the laser.

This process would be similar to using glue to write on a can and then rolling it over glitter. The glitter sticks to the glue but not to the rest of the can.



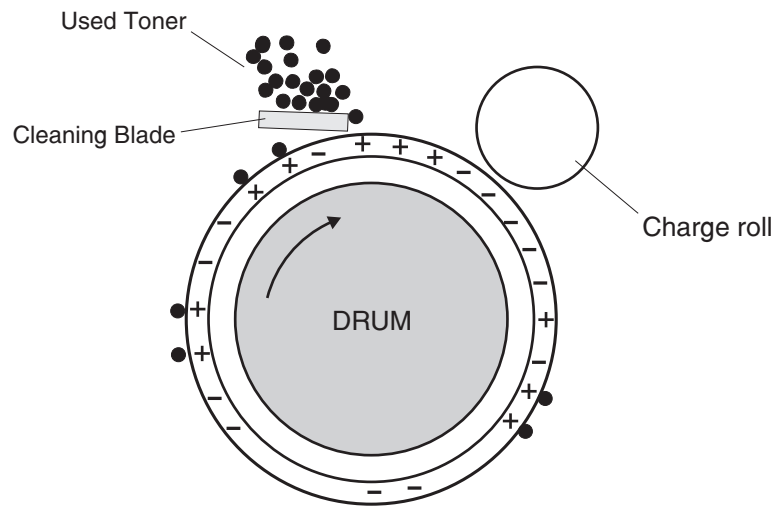
### Step 4: Transfer

As the paper travels between the transfer roll and the photoconductor, the transfer roll applies a positive charge to the back of the media. This positive charge attracts the negatively charged toner image from the photoconductor to the top surface of the media.



## Step 5: Clean

The cleaning blade removes any toner that remains on the photoconductor after the transfer process. The toner removed is collected inside the imaging unit.





# Appendix D: Acronyms

## Acronyms

ASIC	Application-Specific Integrated Circuit
BLDC	Brushless DC Motor
BOR	Black Only Retract
C	Cyan
CCD	Charge Coupled Device
CCP	Carbonless Copy Paper
CRC	Cyclic Redundancy Check
CSU	Customer Setup
CTLS	Capacitance Toner Level Sensing
DIMM	Dual Inline Memory Module
DRAM	Dynamic Random Access Memory
EDO	Enhanced Data Out
EP	Electrophotographic Process
EPROM	Erasable Programmable Read-Only Memory
ESD	Electrostatic Discharge
FRU	Field Replaceable Unit
GB	Gigabyte
HCF	High-Capacity Feeder
HCIT	High-Capacity Input Tray
HCOF	High-Capacity Output Finisher
HVPS	High Voltage Power Supply
ITU	Image Transfer Unit
K	Black
LCD	Liquid Crystal Display
LDAP	Lightweight Directory Access Protocol
LED	Light-Emitting Diode
LVPS	Low Voltage Power Supply
M	Magenta
MB	Megabyte
MFP	Multi-Function Printer
MPF	Multipurpose Feeder
MROM	Masked Read Only Memory

MS	Microswitch
NVM	Nonvolatile Memory
NVRAM	Nonvolatile Random Access Memory
OEM	Original Equipment Manufacturer
OPT	Optical Sensor
PC	Photoconductor
pel, pixel	Picture element
POR	Power-On Reset
POST	Power-On Self Test
PSD	Position Sensing Device
PWM	Pulse Width Modulation
RIP	Raster Imaging Processor
ROM	Read Only Memory
SDRAM	Synchronous Dual Random Access Memory
SIMM	Single Inline Memory Module
SRAM	Static Random Access Memory
TPS	Toner Patch Sensing
UPR	Used Parts Return
V ac	Volts alternating current
V dc	Volts direct current
VTB	Vacuum Transport Belt
Y	Yellow

# Index

## Symbols

[x]-page jam, open tray 1. [241.xx] 60  
 [x]-page jam, open tray 2. [242.xx] 64

## A

ACM, theory 284  
 acronyms 293  
 available internal options 279  
 avoiding jams 26  
 avoiding paper jams 43

## B

Bin full. Remove paper. 69  
 blank pages 36

## C

Cannot collate large document [37] 69  
 Cannot defrag flash memory [37] 70  
 card stock  
   tips 27  
 Cartridge low [88.xy] 70  
 Cartridge nearly low [88.xy] 70  
 Cartridge very low, [x] estimated pages remain [88.xy] 70  
 Cartridge, imaging unit mismatch [41.xy] 70  
 Change [paper source] to [custom string]. Load [orientation]. 71  
 Change [paper source] to [custom type name]. Load [orientation]. 71  
 Change [paper source] to [paper size]. Load [orientation]. 71  
 Change [paper source] to [paper type] [paper size]. Load [orientation]. 71  
 cleaning  
   exterior of the printer 256  
   cleaning the printer 256  
 Close front door 72  
 Complex page may misprint [39] 72  
 configuration menu  
   A5 loading 143  
   accessing 141  
   demo mode 144  
   energy conserve 144  
   exit config menu 145  
   font density 144  
   font sharpening 145  
   menu settings page 142

panel menus 143  
 PPDS emulation 143  
 print event log 142  
 print quality pages 143  
 reduced curl 143  
 restore base 142  
 restore STD NET 142  
 safe mode 144  
 tray linking 143  
 USB pnp 145  
 USB speed 145  
 wipe all settings 144  
 control panel  
   controller board, removing with 150  
 control panel, printer  
   buttons 127  
   indicator light 127, 128  
   Sleep button light 128  
   using 127  
 controller board  
   control panel, removing with 150  
 controller board, restoring configuration 151  
 Credentials invalid. Print job canceled. 72

## D

data security notice 31, 149  
 Defective flash memory [51] 72  
 diagnostics  
   registration 129  
 diagnostics menu  
   accessing 129  
   automatic darkness adjustment 139  
   base sensor test 136  
   button test 131  
   charge roll voltage 139  
   clear event log 141  
   display event log 140  
   DRAM test 131  
   duplex feed 1 test 134  
   duplex left margin 133  
   duplex quick test 132  
   duplex sensor test 133  
   duplex top margin 133  
   edge to edge 138  
   engine settings 138  
   EP defaults 138  
   exit diagnostics 141  
   flash test 136

- fuser temperature 138
- gap adjust 139
- input tray feed test 134
- input tray sensor test 135
- installed licenses 140
- menu settings page 140
- output bin feed tests 135
- output bin sensor test 135
- panel test 131
- parallel strobe adjustment 138
- print contrast 139
- print event log 140
- print quality pages 130
- print tests 130
- printed page count 137
- processor ID 137
- transfer adjust 139
- USB HS test mode 132
- duplex tests
  - feed 1 test 134
  - left margin 133
  - quick test 132
  - sensor test 133
  - top margin 133

## E

- electrical specifications 275
- electrophotographic process, theory 287
- electrostatic-sensitive parts 150
- envelopes
  - tips on using 27
- environment specifications 277
- EP process, theory 287
- EP Setup
  - EP defaults 138
- EP setup
  - automatic darkness adjustment 139
  - charge roll voltage 139
  - fuser temperature 138
  - gap adjust 139
  - print contrast 139
  - transfer adjust 139
- error codes
  - 0-99.99 79
  - 111 error messages 89
  - 121 error messages 93
  - 126 error messages 94
  - 132 error messages 95
  - 133 error messages 96
  - 140 error messages 97
  - 155 error messages 98
  - 200 paper jam messages 48

- 201 paper jam messages 54
- 202 paper jam messages 56
- 23y.xx paper jam messages 59
- 241 paper jam messages 61
- 242 paper jam messages 64
- 25y.xx paper jam messages 68
- 3yy error messages 122
- 900 error messages 101
- 912 error messages 106
- 94y error messages 106
- 950–958 error messages 107
- 959 error messages 109
- 96y error messages 110
- 97y error messages 111
- 98y error messages 112
- 99y error messages 113
- ESD-sensitive parts 150
- event log
  - print log 140
- exterior of the printer
  - cleaning 256

## F

- Flash memory full [52] 72
- Flash memory unformatted [53] 72

## H

- hardware tests
  - button test 131
  - DRAM test 131
  - panel test 131
  - USB HS test mode 132
- horizontal bottom contact connector 160
- horizontal sliding contact connector 166
- horizontal top contact connector 157

## I

- Imaging unit low [84.xy] 73
- Imaging unit nearly low [84.xy] 73
- Imaging unit very low, [x] estimated pages remain [84.xy] 73
- input tray tests
  - feed tests 134
  - sensor test 135
- input tray, theory 281
- Insert tray [x] 73
- inspection guide 255
- invalid code, fixing 145
- invalid engine mode 145



**J**

- Jam, front door [20y.xx] 45
- Jam, MP feeder [250.xx] 67
- Jam, pull tray 1. Push down blue flap. [23y.xx] 58
- Jam, rear door [20y.xx] 55
- Jam, standard bin [20y.xx] 53
- jams
  - accessing 44
  - avoiding 43
  - understanding messages 44
- jams, clearing
  - behind front door 45
  - behind rear door 55
  - in duplex area 58
  - in standard bin 53
  - in tray 1 60
  - in tray 2 64
  - Multipurpose feeder 67

**L**

- labels, paper
  - tips on using 28
- laser notices 11
- Load [paper source] with [custom string] [orientation] 73
- Load [paper source] with [custom type name] [orientation] 73
- Load [paper source] with [paper size] [orientation] 74
- Load [paper source] with [paper type] [paper size] [orientation] 74
- Load MP feeder with [custom string] [orientation] 74
- Load MP feeder with [custom type name] [orientation] 74
- Load MP feeder with [paper size] [orientation] 75
- Load MP feeder with [paper type] [paper size] [orientation] 75
- locations
  - front view 253
  - rear view 254
- low insertion force (LIF) connector 169
- lubrication
  - guidelines 255

**M**

- main drive gearbox, theory 284
- Memory full [38] 75
- Memory low, no Resource Save [35] 75
- menus
  - list of 129

- menus list 129
- MPF, theory 281

**N**

- Network error, port [x] [54] 76
- Network error, standard port [54] 76
- network SE menu
  - accessing 146
- Non-Lexmark [supply type], see User's Guide [33.xy] 75
- notices 275

**O**

- operating clearances 276
- options
  - media handling options 279
- output bin tests
  - feed tests 135
  - sensor test 135

**P**

- paper
  - characteristics 23
  - letterhead 25
  - preprinted forms 25
  - recycled 25
  - selecting 24
  - storing 26
  - unacceptable 24, 25
- paper jams
  - avoiding 43
- paper jams, clearing
  - behind front door 45
  - behind rear door 55
  - in duplex area 58
  - in standard bin 53
  - in tray 1 60
  - in tray 2 64
  - Multipurpose feeder 67
- paper messages
  - Jam, pull tray 1. Push down blue flap. [23y.xx] 58
- paper sizes
  - supported by the printer 28
- Paper too short [34] 76
- paper types
  - duplex support 30
  - supported by printer 30
  - where to load 30
- Parallel port disabled [56] 77
- parts catalog legend 258
- POR sequence 33

- ports 254
- power-on reset sequence 33
- print quality
  - initial check 34
- print quality troubleshooting
  - blank pages 36
  - gray background on prints 35
  - repeating defects 37
  - shadow images appear on prints 38
  - skewed print 39
  - solid black pages 37
  - streaked vertical lines appear on prints 40
  - toner rubs off 41
  - toner specks appear on prints 42
- Print quota exceeded. Print job canceled. 77
- Print quota exceeded. Print job incomplete. 77
- printer control panel
  - buttons 127
  - indicator light 127, 128
  - Sleep button light 128
  - using 127
- printer messages
  - [x]-page jam, open tray 1. [241.xx] 60
  - [x]-page jam, open tray 2. [242.xx] 64
  - Bin full. Remove paper. 69
  - Cannot collate large document [37] 69
  - Cannot defrag flash memory [37] 70
  - Cartridge low [88.xy] 70
  - Cartridge nearly low [88.xy] 70
  - Cartridge very low, [x] estimated pages remain [88.xy] 70
  - Cartridge, imaging unit mismatch [41.xy] 70
  - Change [paper source] to [custom string]. Load [orientation]. 71
  - Change [paper source] to [custom type name]. Load [orientation]. 71
  - Change [paper source] to [paper size]. Load [orientation]. 71
  - Change [paper source] to [paper type] [paper size]. Load [orientation]. 71
  - Close front door 72
  - Complex page may misprint [39] 72
  - Credentials invalid. Print job canceled. 72
  - Defective flash memory [51] 72
  - Flash memory full [52] 72
  - Flash memory unformatted [53] 72
  - Imaging unit low [84.xy] 73
  - Imaging unit nearly low [84.xy] 73
  - Imaging unit very low, [x] estimated pages remain [84.xy] 73
  - Insert tray [x] 73
  - Jam, front door [20y.xx] 45
  - Jam, MP feeder [250.xx] 67
  - Jam, rear door [20y.xx] 55
  - Jam, standard bin [20y.xx] 53
  - Load [paper source] with [custom string] [orientation] 73
  - Load [paper source] with [custom type name] [orientation] 73
  - Load [paper source] with [paper size] [orientation] 74
  - Load [paper source] with [paper type] [paper size] [orientation] 74
  - Load MP feeder with [custom string] [orientation] 74
  - Load MP feeder with [custom type name] [orientation] 74
  - Load MP feeder with [paper size] [orientation] 75
  - Load MP feeder with [paper type] [paper size] [orientation] 75
  - Memory full [38] 75
  - Memory low, no Resource Save [35] 75
  - Network error, port [x] [54] 76
  - Network error, standard port [54] 76
  - Non-Lexmark [supply type], see User's Guide [33.xy] 75
  - Paper too short [34] 76
  - Parallel port disabled [56] 77
  - Print quota exceeded. Print job canceled. 77
  - Print quota exceeded. Print job incomplete. 77
  - Printer restart. Check last job. 77
  - Rear USB port disabled [56] 77
  - Reinstall missing or unresponsive cartridge [31.xy] 77
  - Reinstall missing or unresponsive imaging unit [31.xy] 78
  - Replace cartridge, 0 estimated pages remain [88.xy] 78
  - Replace cartridge, printer region mismatch [42.xy] 78
  - Replace imaging unit, 0 estimated pages remain [84.xy] 78
  - Replace unsupported cartridge [32.xy] 79
  - Replace unsupported imaging unit [32.xy] 79
  - Too many trays. Remove some. [58] 79
  - Printer restart. Check last job. 77
  - printer setup
    - defaults 137
    - permanent page count 137

## R

- Rear USB port disabled [56] 77
- recovery mode, accessing 145

- recycled paper
    - using 25
  - registration 129
  - Reinstall missing or unresponsive cartridge [31.xy] 77
  - Reinstall missing or unresponsive imaging unit [31.xy] 78
  - removal procedures
    - tips 173
  - removals
    - ACM assembly 231
    - ACM assembly, option tray 249
    - ACM clutch 183
    - bail 209
    - bezel 201
    - cartridge gearbox 185
    - cartridge plunger 198
    - control panel assembly 202
    - controller board 189
    - cooling fan 188
    - cooling fan duct 188
    - duplex 220
    - duplex gear assembly 186
    - duplex sensor 221
    - dust cover 236
    - front access cover 213
    - front access sensor 213
    - front door 210
    - front input guide 214
    - fuser 242
    - input sensor 221
    - jam access cover 209
    - laser scanning unit 244
    - left cover 173
    - left front mount 193
    - main drive gearbox 174
    - MPF assembly 205
    - MPF gearbox 179
    - MPF pick tire 208
    - MPF pick tire cover 208
    - MPF sensor 214
    - MPF solenoid 176
    - nameplate 202
    - narrow media/bin full sensor 237
    - pick roller 246
    - power supply 218
    - power supply shield 219
    - rear cover 236
    - rear door 236
    - redrive assembly 239
    - redrive shaft 240
    - reverse solenoid 182
    - right cover 188
    - right front mount 195
    - separator pad 216
    - separator roll assembly 247
    - toner cartridge smart chip contact 191
    - toner density sensor 223
    - top cover 243
    - trailing edge sensor 226
    - transfer roll 197
    - UICC 204
  - Replace cartridge, 0 estimated pages remain [88.xy] 78
  - Replace cartridge, printer region mismatch [42.xy] 78
  - Replace imaging unit, 0 estimated pages remain [84.xy] 78
  - Replace unsupported cartridge [32.xy] 79
  - Replace unsupported imaging unit [32.xy] 79
  - restoring
    - configuration file 154
    - license file 154
- ## S
- safety information 14
  - security reset jumper
    - enabling 277
  - selecting paper 24
  - service checks troubleshooting
    - network service check 119
  - service engineer (SE) menu 146
    - accessing 146
  - service manual conventions 19
  - shadow images appear on prints 38
  - solid black pages 37
  - specifications
    - acoustics 276
    - electrical 275
    - environment 277
    - operating clearances 276
  - storing
    - paper 26
  - supported paper sizes 28
  - supported paper types and weights 30
  - symptoms
    - printer 113
- ## T
- theory of operation
    - ACM 284
    - duplex printing 283
    - electrophotographic process 287

- input tray 281
- main drive gearbox 284
- MPF 281
- other key components 286
- POR sequence 281
- printer control 281
- sensors 285
- simplex printing 282
- tips
  - card stock 27
  - on using envelopes 27
  - on using labels 28
  - transparencies 28
- tips on using envelopes 27
- Too many trays. Remove some. [58] 79
- tools, required 31
- transparencies
  - tips 28
- troubleshooting
  - initial check 33
- troubleshooting, print quality
  - blank pages 36
  - gray background on prints 35
  - repeating defects 37
  - shadow images appear on prints 38
  - skewed print 39
  - solid black pages 37
  - streaked vertical lines appear on prints 40
  - toner rubs off 41
  - toner specks appear on prints 42
- troubleshooting, service checks
  - network service check 119

## U

- unacceptable paper 24
- updating the printer firmware
  - using a flash drive 155
  - using a network computer 155

## V

- vertical mount contact connector 163

## Z

- zero insertion force (ZIF) connectors 156

# Part number index

<b>P/N</b>	<b>Part name</b>	<b>Page</b>
40X0269	Power cord, 2.5 m (straight)—USA, Canada.....	271
40X0270	Power cord, 2.5 m (straight)—Japan.....	271
40X0271	Power cord, 2.5 m (straight)—United Kingdom.....	271
40X0273	Power cord, 2.5 m (straight)—Traditional Italy.....	271
40X0275	Power cord, 2.5 m (straight)—Israel.....	271
40X0288	Power cord, 2.5 m (straight)—Argentina.....	271
40X0301	Power cord, 2.5 m (straight)—Australia.....	271
40X0303	Power cord, 2.5 m (straight)—China.....	271
40X1368	USB cable, packaged (2 m) .....	273
40X1772	Power cord, 2.5 m (straight)—Switzerland.....	271
40X1773	Power cord, 2.5 m (straight)—South Africa.....	271
40X1774	Power cord, 2.5 m (straight)—Denmark.....	271
40X1791	Power cord, 2.5 m (straight)—Taiwan.....	271
40X1792	Power cord, 2.5 m (straight)—Korea.....	271
40X3141	Power cord, 2.5 m (straight)—Europe and others.....	271
40X4596	Power cord, 2.5 m (straight)—Brazil.....	271
40X7795	Power supply, 100 V/110 V.....	264
40X7796	Power supply, 220 V.....	264
40X8023	Fuser, 110 V.....	262
40X8024	Fuser, 220 V.....	262
40X8043	Duplex sensor and input sensor.....	264
40X8046	Toner density sensor.....	264
40X8047	Trailing edge sensor.....	264
40X8048	Front door sensor.....	264
40X8050	Narrow media/bin full sensor.....	262
40X8051	Nameplate.....	260
40X8052	Right cover.....	260
40X8053	Left cover.....	260
40X8054	Rear door and cover.....	260
40X8055	Top cover.....	260
40X8056	Front access cover.....	260
40X8082	Galvo LSU*.....	262

<b>P/N</b>	<b>Part name</b>	<b>Page</b>
40X8083	Cartridge gearbox.....	267
40X8085	Main drive gearbox.....	267
40X8262	ACM assembly (option tray only).....	270
40X8265	ACM clutch.....	267
40X8266	Toner cartridge smart chip contact.....	264
40X8273	Rubber foot.....	260
40X8275	Duplex assembly.....	267
40X8276	Cooling fan.....	262
40X8277	Duplex gear assembly.....	267
40X8278	MPF gearbox.....	267
40X8279	Jam access cover.....	267
40X8280	Front input guide.....	262
40X8286	550-sheet tray.....	270
40X8287	250-sheet tray.....	270
40X8291	Control panel assembly.....	262
40X8295	MPF pick roller and separator pad.....	267
40X8298	Redrive assembly.....	267
40X8299	Front mounts.....	267
40X8300	MPF solenoid.....	262
40X8301	Reverse solenoid.....	262
40X8302	MPF assembly (50 sheets).....	260
40X8303	250-sheet tray insert (standard tray only).....	260
40X8330	MarkNet N8352 802.11 b/g/n Wireless Print Server Kit .....	273
40X8343	Fuser, 100 V.....	262
40X8393	Transfer roll.....	267
40X8394	Screw kit.....	267
40X8443	Pick roller assembly.....	270
40X8444	Separator roll assembly.....	270
40X8520	Dust cover (250-sheet tray).....	260
40X8520	Dust cover, 250-sheet tray.....	270
40X8521	Dust cover, 550-sheet tray.....	270
40X8528	250-sheet tray insert (option tray only).....	270
40X8529	550-sheet tray insert (option tray only).....	270
40X8555	256MB flash card .....	273

<b>P/N</b>	<b>Part name</b>	<b>Page</b>
40X8556	Font card, Traditional Chinese.....	273
40X8557	Font card, Simplified Chinese .....	273
40X8568	Font card, Korean.....	273
40X8569	Font card, Japanese.....	273
40X8570	Font card, Arabic.....	273
40X8571	Font card, Hebrew.....	273
40X8694	Relocation kit.....	273
40X8737	RFID card reader.....	273
40X8850	Redrive shaft.....	267
40X9148	Cartridge plunger.....	260
40X9654	550-sheet tray, lockable.....	270
40X9656	Controller board for model MS312dn with galvo LSU*.....	262
40X9658	Bezel.....	260
41X0362	Polygon LSU*.....	262
41X0363	Polygon laser scanning unit (LSU) frame*.....	262
41X0364	Controller board for model MS312dn with polygon LSU*.....	262
41X0759	Polygon LSU cable*.....	262
41X0913	Video cable (applicable only to models with Galvo* LSU).....	262
41X0918	Pick tires.....	267
41X0919	ACM assembly (standard tray only).....	267
41X0994	MPF tray links.....	260





# Part name index

<b>P/N</b>	<b>Part name</b>	<b>Page</b>
40X8287	250-sheet tray.....	270
40X8528	250-sheet tray insert (option tray only).....	270
40X8303	250-sheet tray insert (standard tray only).....	260
40X8555	256MB flash card .....	273
40X8286	550-sheet tray.....	270
40X8529	550-sheet tray insert (option tray only).....	270
40X9654	550-sheet tray, lockable.....	270
40X8262	ACM assembly (option tray only).....	270
41X0919	ACM assembly (standard tray only).....	267
40X8265	ACM clutch.....	267
40X9658	Bezel.....	260
40X8083	Cartridge gearbox.....	267
40X9148	Cartridge plunger.....	260
40X8291	Control panel assembly.....	262
40X9656	Controller board for model MS312dn with galvo LSU*.....	262
41X0364	Controller board for model MS312dn with polygon LSU*.....	262
40X8276	Cooling fan.....	262
40X8275	Duplex assembly.....	267
40X8277	Duplex gear assembly.....	267
40X8043	Duplex sensor and input sensor.....	264
40X8520	Dust cover (250-sheet tray).....	260
40X8520	Dust cover, 250-sheet tray.....	270
40X8521	Dust cover, 550-sheet tray.....	270
40X8570	Font card, Arabic.....	273
40X8571	Font card, Hebrew.....	273
40X8569	Font card, Japanese.....	273
40X8568	Font card, Korean.....	273
40X8557	Font card, Simplified Chinese .....	273
40X8556	Font card, Traditional Chinese.....	273
40X8056	Front access cover.....	260
40X8048	Front door sensor.....	264
40X8280	Front input guide.....	262

<b>P/N</b>	<b>Part name</b>	<b>Page</b>
40X8299	Front mounts.....	267
40X8343	Fuser, 100 V.....	262
40X8023	Fuser, 110 V.....	262
40X8024	Fuser, 220 V.....	262
40X8082	Galvo LSU*.....	262
40X8279	Jam access cover.....	267
40X8053	Left cover.....	260
40X8085	Main drive gearbox.....	267
40X8330	MarkNet N8352 802.11 b/g/n Wireless Print Server Kit .....	273
40X8302	MPF assembly (50 sheets).....	260
40X8278	MPF gearbox.....	267
40X8295	MPF pick roller and separator pad.....	267
40X8300	MPF solenoid.....	262
41X0994	MPF tray links.....	260
40X8051	Nameplate.....	260
40X8050	Narrow media/bin full sensor.....	262
40X8443	Pick roller assembly.....	270
41X0918	Pick tires.....	267
41X0363	Polygon laser scanning unit (LSU) frame*.....	262
41X0759	Polygon LSU cable*.....	262
41X0362	Polygon LSU*.....	262
40X0288	Power cord, 2.5 m (straight)—Argentina.....	271
40X0301	Power cord, 2.5 m (straight)—Australia.....	271
40X4596	Power cord, 2.5 m (straight)—Brazil.....	271
40X0303	Power cord, 2.5 m (straight)—China.....	271
40X1774	Power cord, 2.5 m (straight)—Denmark.....	271
40X3141	Power cord, 2.5 m (straight)—Europe and others.....	271
40X0275	Power cord, 2.5 m (straight)—Israel.....	271
40X0270	Power cord, 2.5 m (straight)—Japan.....	271
40X1792	Power cord, 2.5 m (straight)—Korea.....	271
40X1773	Power cord, 2.5 m (straight)—South Africa.....	271
40X1772	Power cord, 2.5 m (straight)—Switzerland.....	271
40X1791	Power cord, 2.5 m (straight)—Taiwan.....	271
40X0273	Power cord, 2.5 m (straight)—Traditional Italy.....	271

<b>P/N</b>	<b>Part name</b>	<b>Page</b>
40X0271	Power cord, 2.5 m (straight)—United Kingdom.....	271
40X0269	Power cord, 2.5 m (straight)—USA, Canada.....	271
40X7795	Power supply, 100 V/110 V.....	264
40X7796	Power supply, 220 V.....	264
40X8054	Rear door and cover.....	260
40X8298	Redrive assembly.....	267
40X8850	Redrive shaft.....	267
40X8694	Relocation kit.....	273
40X8301	Reverse solenoid.....	262
40X8737	RFID card reader.....	273
40X8052	Right cover.....	260
40X8273	Rubber foot.....	260
40X8394	Screw kit.....	267
40X8444	Separator roll assembly.....	270
40X8266	Toner cartridge smart chip contact.....	264
40X8046	Toner density sensor.....	264
40X8055	Top cover.....	260
40X8047	Trailing edge sensor.....	264
40X8393	Transfer roll.....	267
40X1368	USB cable, packaged (2 m) .....	273
41X0913	Video cable (applicable only to models with Galvo* LSU).....	262



# MS31X MS41X MS510 MS610dn

## WIRING DIAGRAM



**CAUTION—SHOCK HAZARD:** This type of caution indicates a danger from hazardous voltage in the area of the product where you are working. Unplug the product before you start working, or use caution if the product must receive power to perform the task.



**CAUTION—POTENTIAL INJURY:** The lithium battery in this product is not intended to be replaced. There is a danger of explosion if a lithium battery is incorrectly replaced. Do not recharge, disassemble, or incinerate a lithium battery. Discard used lithium batteries according to the manufacturer's instructions and local regulations.

